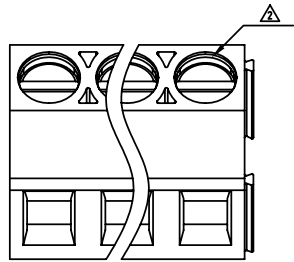


SIGN	DATE	DESCRIPTION	APPROVER
△	2/10'06	Part NO is Changed	xionghaitao
△	2/10'06	Design is Changed	xionghaitao



Dimension A&B

DIM A	N×5.0
DIM B	(N-1)×5.0

N=Number of contacts

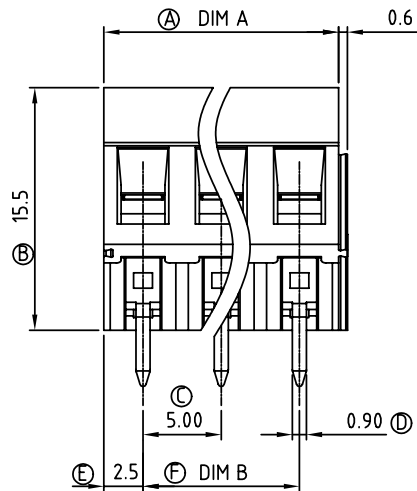
Poles	A&B Tolerance
2P-8P	±0.15
9P-14P	±0.25
15P-20P	±0.35
21P-24P	±0.40

Material

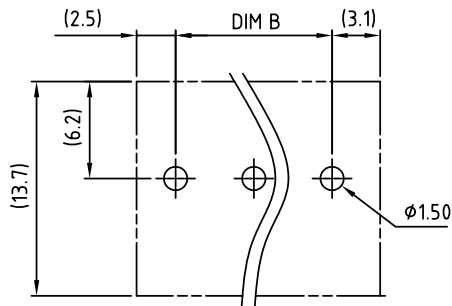
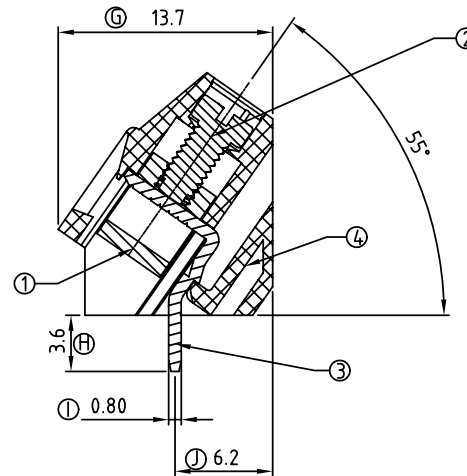
- Item① Clamp : Brass , Ni plated
- Item② Terminal screw: Steel , Zinc plating "--" slot type
- Item③ Wire guard solder pin : Brass , Tin plated
- Item④ Terminal housing : Thermoplastic (UL94V-0)

Electrical UL

- Voltage rating: 300VAC
- Current rating: 10A
- Wire range:
- Solid wire(AWG): 12-24
- Stranded wire(AWG): 12-24
- Torque(Lb-In): 3.5
- Screw: M2.5
- Wire strip length: 6-7mm
- Withstanding Voltage: 1.6KV
- Operating temperature: -40°C to +115°C
- Soldering temperature: 250°C±10°C/5 Sec
- Safety Approval Deta:



N=Number of contacts



RECOMMENDED PCB LAYOUT

T2 xx 0 1 x 0 xxxx G			
02	2 CONTACTS	0 Black	0000:"@"Logo (Standard) RoHS
03	3 CONTACTS	5 Green (RAL 6018/T)	000A:"ANYTEK"Logo Pb<40,000ppm
...	...		Any special item by customer request,
24	24 CONTACTS	6 Blue 8 Grey (RAL 7035/D)	please contact sales department.

<b>ANYTEK</b>		<b>CUSTOMER COPY</b>	
ALL RIGHTS RESERVED. REPRODUCTION OR ISSUE TO THIRD PARTIES IN ANY FORM WHATSOEVER IS NOT PERMITTED WITHOUT WRITTEN AUTHORITY FROM THE PROPRIETOR. PROPERTY OF ANYTEK TECHNOLOGY CO., LTD			
TITLE	T2 - 5.0mm series 2P-24P (Stackable)		
PART NO.	T2xx01x0xxxxG △	DWG NO.	8T20001
APPROVED	CHECKED	DESIGNED	DRAWN
		Aaron 2009.11.14	xionghaitao 2006.01.23
		CUST NO.	
		Tolerance	
		X. ±0.50	
		X.X ±0.30	
		X.XX ±0.10	
		X° ±1°	
		UNIT: mm	
		SCALE: NONE	
		SHEET: 01/01	REV.: C

## X-ON Electronics

Largest Supplier of Electrical and Electronic Components

*Click to view similar products for [Fixed Terminal Blocks](#) category:*

*Click to view products by [Amphenol](#) manufacturer:*

Other Similar products are found below :

[MBE-1512](#) [MBE-1520](#) [MBE-154](#) [MBE-156](#) [MBES-156](#) [MH-2512](#) [MHE-132](#) [MHE-163](#) [MI-254 \(35\)](#) [MI-272](#) [MPT-275](#) [ELM10110G](#)  
[BA311TU](#) [BA411SU](#) [MV-253/NCNOC](#) [MV-254-D](#) [MV-255](#) [MV-493](#) [MVE-252](#) [MVE-253](#) [MVE-273](#) [MVEB-153](#) [1700096](#) [1705142](#)  
[1712417](#) [1713088](#) [1745195](#) [1760594](#) [1-796689-8](#) [1-796692-6](#) [1800114](#) [20020314-C121B01LF](#) [20020316-G041B01LF](#) [KP03215000J0G](#)  
[KP04215000J0G](#) [S451](#) [29.007](#) [29.116](#) [30.103](#) [30.106](#) [30.503](#) [30.608](#) [30.755](#) [30.756](#) [30.853](#) [9872-0-00-15-00-00-33-0](#) [996750](#) [1706303](#)  
[1710052](#) [1712418](#)