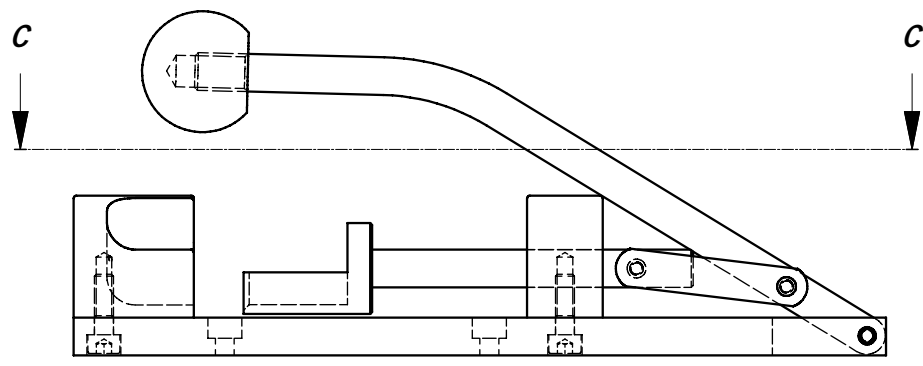
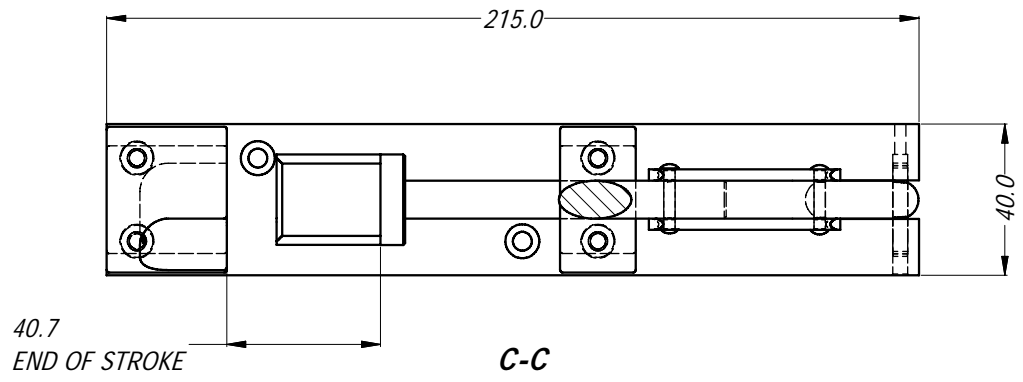
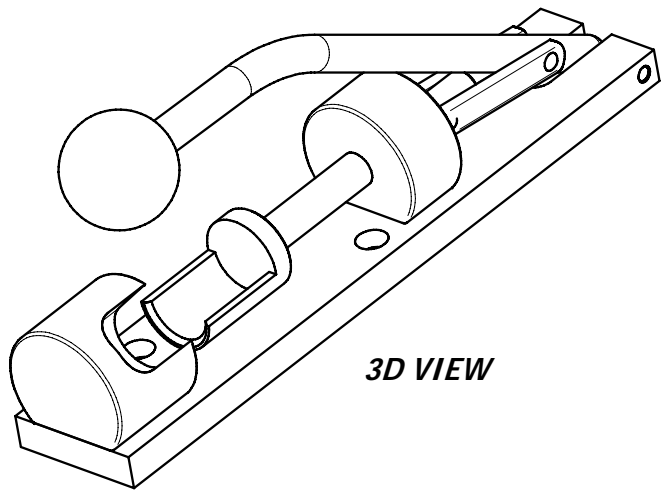


REVISION HISTORY				
REV	DESCRIPTION	DATE	BY	CHG No
0	FIRST ISSUE	03/04/09	B.Z	8815
1	End of stroke 40.7 was 41.4	22/05/09	B.Z	8826



UNLESS OTHERWISE SPECIFIED TOLERANCE TO BE		THIS DOCUMENT IS THE PROPERTY OF AMPHENOL AUSTRALIA PTY. LTD. NO PART THEREOF MAY BE REPRODUCED AND USED WITHOUT THE PRIOR WRITTEN CONSENT OF THE OWNER				<b>Amphenol</b> Amphenol Australia Pty.Ltd, 2 Fiveways Blvd, Keysborough, VIC 3173									
<table border="1"> <thead> <tr> <th>LINEAR</th> <th>ANGULAR</th> </tr> </thead> <tbody> <tr> <td>X ± 0.5</td> <td>X' ± 1</td> </tr> <tr> <td>X.X ± 0.1</td> <td>X.X' ± 30'</td> </tr> <tr> <td>X.XX ± 0.05</td> <td>X.XX' ± 15'</td> </tr> </tbody> </table>		LINEAR	ANGULAR	X ± 0.5	X' ± 1	X.X ± 0.1	X.X' ± 30'	X.XX ± 0.05	X.XX' ± 15'	MATERIAL: <b>ALUMINUM &amp; STEEL</b>	DRN: B Z	DATE: 12/12/08	TITLE: <b>XLR RIGHT ANGLE ASSEMBLY TOOL CUSTOMER DWG</b>		PART No: <b>T2880</b>
LINEAR	ANGULAR														
X ± 0.5	X' ± 1														
X.X ± 0.1	X.X' ± 30'														
X.XX ± 0.05	X.XX' ± 15'														
BREAK ALL SHARP EDGES AND REMOVE ALL BURRS		FINISH: <b>NICKEL PLATE</b>	APP'D: P.M	DATE: 22/05/09	DRAWING NO.		SHEET								
DO NOT SCALE		DIMENSIONS IN MILLIMETRES		THIRD ANGLE PROJECTION	SCALE: <b>1:2</b>	SIZE: <b>A4</b>	CAD FILE: 52930004704211								
						<b>52930004-704-2</b>	<b>2/2</b>								

## X-ON Electronics

Largest Supplier of Electrical and Electronic Components

*Click to view similar products for [Crimpers / Crimping Tools](#) category:*

*Click to view products by [Amphenol](#) manufacturer:*

Other Similar products are found below :

[010-0096](#) [M225202-37](#) [6-1579015-5](#) [CT150-2-D02](#) [M322](#) [6-304052-1](#) [63456-0054](#) [63484-3701](#) [63800-8355](#) [63819-1875](#) [63819-2875](#)  
[63819-4475](#) [63823-3475](#) [63827-5375](#) [64001-0975](#) [64001-4175](#) [64005-0175](#) [662903-2](#) [690602-6](#) [7-1579001-9](#) [7-23471-1](#) [762637-1](#) [808714-](#)  
[1](#) [811242-5](#) [999-50-020083](#) [1-21002-3](#) [1-21002-7](#) [12085270](#) [1-21002-6](#) [1-21113-6](#) [1-22548-4](#) [125442-1](#) [DCE.91.073.BVC](#)  
[DCE.91.090.3MVM](#) [DCE.91.130.5MVU](#) [DCE.91.202.BVCM](#) [1338300-1](#) [1-354003-0](#) [1338301-1](#) [DF62/RE-MD](#) [142321](#) [1456088-1](#)  
[1490794-1](#) [1-45804-6](#) [1490357-2](#) [1490357-3](#) [AX100749](#) [1-59619-7](#) [1596970-1](#) [1-59619-8](#)