

SIGN	DATE	DESCRIPTION	APPROVER
△	12/04'10	The DWG NO. is changed from 8T30007 to 8T30006	Tason
△	12/04'10	Add the "tuv" Safety Approval	Tason

THIS IS CAD DRAWING, DO NOT REVISE MANUALLY!!!

Materials

Item 1 insulating body	Thermoplastic (UL94V-0)
Item 2 Steel screw	Screw, Zinc plating("+/-" slot type)
Item 3 Wire guard	Stainless steel
Item 4 Terminal body	Brass Tin plated

Electrical UL △ TUV

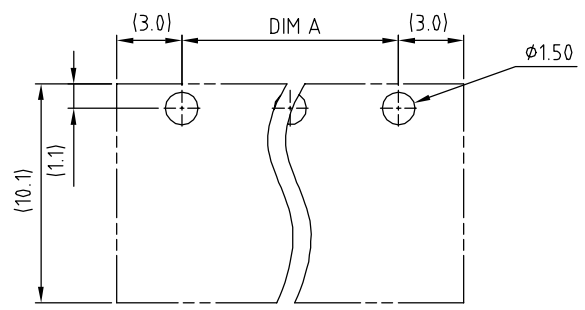
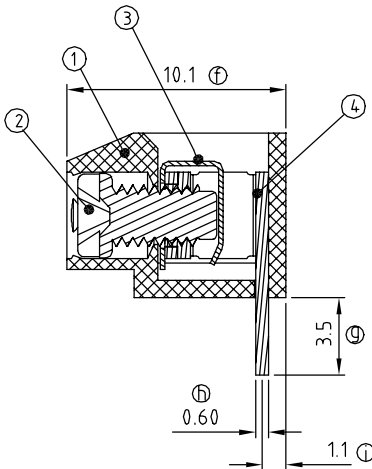
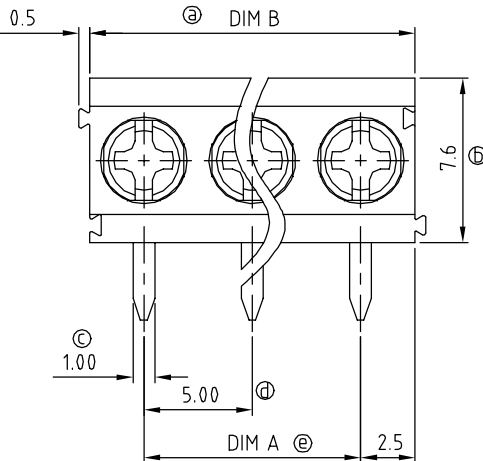
- Voltage rating: 300VAC/250VAC
- Current rating: 8A/12A
- Wire range:
- Solid wire(AWG): 14-26/0.2-2.5mm²
- Stranded wire(AWG): 14-26/0.2-2.5mm²
- Torque: 2.6Lb-In/0.4Nm
- Screw: M2.5
- Wire strip length: 5-6mm
- Withstanding Voltage: 1.6KV
- Operating temperature: -40°C to +115°C/ -40°C to +105°C
- Soldering temperature: 250°C±10°C/5 Sec
- Safety Approval: UL △ TUV

T3 xx 04 x 3 xxxx G

<p>02 2 CONTACTS</p> <p>03 3 CONTACTS</p> <p>... ..</p> <p>12 12 CONTACTS</p>	<p>Color</p> <p>0 Black (RAL9005)</p> <p>5 Green(RAL6018/T)</p> <p>6 Blue (RAL5015/A)</p> <p>8 Grey(RAL7035/D)</p>	<p>0000 "⊕" Logo</p> <p>000A "ANY" Logo</p> <p>... ..</p> <p>Any special item by customer request, please contact sales department</p>	<p>RoHS</p> <p>Pb<40,000ppm</p>
---	--	--	------------------------------------

N = Number of poles
 Dim A = (N-1) X 5.0
 Dim B = Nx5.0

	Dim A	Dim B
2P	±0.05	±0.05
3-6p	±0.15	±0.15
7-12p	±0.20	±0.20
13-18p	±0.30	±0.30
19-24p	±0.40	±0.40



P.C.B. LAYOUT

<h1>ANYTEK</h1>		<h2>CUSTOMER COPY</h2>	
ALL RIGHTS RESERVED. REPRODUCTION OR ISSUE TO THIRD PARTIES IN ANY FORM WHATSOEVER IS NOT PERMITTED WITHOUT WRITTEN AUTHORITY FROM THE PROPRIETOR. PROPERTY OF ANYTEK TECHNOLOGY CO., LTD			
TITLE	T3 5.0 Series 90°		
PART NO.	T3xx04x3xxxxG	DWG NO.	8T30006 △
APPROVED	CHECKED	DESIGNED	DRAWN
		Tason	熊海燕
		12/04'10	11/08'06
SHEET: 01/01		UNIT: mm	Tolerance
		SCALE: NONE	X. ±0.50
		REV.: C	X.X ±0.30
			X.XX ±0.10
			X° ±1°

X-ON Electronics

Largest Supplier of Electrical and Electronic Components

Click to view similar products for [Fixed Terminal Blocks](#) category:

Click to view products by [Amphenol](#) manufacturer:

Other Similar products are found below :

[MBE-1512](#) [MBE-1520](#) [MBE-154](#) [MBE-156](#) [MBES-156](#) [MH-2512](#) [MHE-132](#) [MHE-163](#) [MI-254 \(35\)](#) [MI-272](#) [MPT-275](#) [ELM10110G](#)
[BA311TU](#) [BA411SU](#) [MV-253/NCNOC](#) [MV-254-D](#) [MV-255](#) [MV-493](#) [MVE-252](#) [MVE-253](#) [MVE-273](#) [MVEB-153](#) [1700096](#) [1705142](#)
[1712417](#) [1713088](#) [1745195](#) [1760594](#) [1-796689-8](#) [1-796692-6](#) [1800114](#) [20020314-C121B01LF](#) [20020316-G041B01LF](#) [KP03215000J0G](#)
[KP04215000J0G](#) [S451](#) [29.007](#) [29.116](#) [30.103](#) [30.106](#) [30.503](#) [30.608](#) [30.755](#) [30.756](#) [30.853](#) [9872-0-00-15-00-00-33-0](#) [996750](#) [1706303](#)
[1710052](#) [1712418](#)