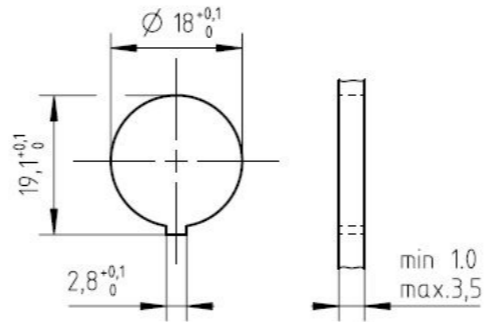


Panel cutout M1:1



| | | | | | | | | | | | | | | |
|---|--------------------------|--|-------------------|--------------------|-------------------|-----------------|-----------------|-------------------------------|------|------|----------|------|------|--|
| Number of contacts | Standard | 3 | 4 | 5 | 5 | 6 | 7 | 7 | 8 | 12 | 14 | 14 | 19 | |
| Contact arrangement | IEC 61076-2-106 | 03-a | 04-a | 05-a | 05-b | 06-a | 07-a | 07-b | 08-a | 12-a | 14-a | 14-b | 19-a | |
| Contact arrangement | IEC 60130-9 ⁿ | yes | no | yes | no | yes | no | yes | no | | | | | |
| Rated voltage ²⁾ | IEC 60664-1 | 300 V (100 V) | 300 V (63 V) | 100 V (32 V) | 300 V (63 V) | 100 V (32 V) | 150 V (32 V) | 60 V (32 V) | | | | | | |
| Rated voltage | UL 1977 | 250V | | | | | | 60V | | | | | | |
| Rated impulse withstand voltage ²⁾ | IEC 60664-1 | 1500 V (1500 V) | 1200 V (800 V) | 1500 V (1500 V) | 1200 V (800 V) | | | | | | | | | |
| Pollution degree ²⁾ | IEC 60664-1 | 1 (2) | | | | | | | | | | | | |
| Installation category | IEC 60664-1 | I | | | | | | | | | | | | |
| Insulation group | IEC 60664-1 | II, 400 ≤ CTI < 600 | | | | | | | | | | | | |
| Current rating | IEC 60512-5-2 UL 1977 | 10A/+40°C | | | 7A/+40°C | | | | | | 3A/+40°C | | | |
| Insulation resistance | IEC 60512-3-1 | >10 ¹⁰ Ohm ³⁾ | | | | | | | | | | | | |
| Contact resistance | IEC 60512-2-1 | <5mOhm | | | | | | | | | | | | |
| Climatic category | IEC 60668-1 | 40 / 100 / 56 | | | | | | | | | | | | |
| Temperatur range | IEC 60668-1 | -40°C...+100°C / -40°F...+212°F | | | | | | | | | | | | |
| IP degree | IEC 60529 | IP 40 | | | | | | | | | | | | |
| Insertion and withdrawal force | IEC 60512-13-2 | 25N | 30N | 35N | 35N | 50N | 55N | 55N | 60N | 50N | 50N | 50N | 60N | |
| mechanical operation | IEC 60512-9-1 | Silver ≥500 mating cycles / Gold ≥1000 mating cycles | | | | | | | | | | | | |
| housing material | | brass and / or zinc die cast, nickel plated or thermoplast | | | | | | | | | | | | |
| dielectric material | | thermoplastic | | | | | | | | | | | | |
| contacts | | silver or gold plated | | | | | | | | | | | | |
| termination technique | | solder | | | | | | | | | | | | |
| wire gauge | | ≤0,5mm ² / 20 AWG | | | | | | ≤0,35mm ² / 22 AWG | | | | | | |
| flamability | | UL 94 V0 | | | | | | | | | | | | |
| locking system | | metal screw coupling; tightening torque 0,7 - 1,5 Nm | | | | | | | | | | | | |

Gewicht (errechnet) / Calc WT: 0,012 kg
 Prüfmaß / Testdimension
 Teileindex / Partindexnumber:
 Bagatelle change:

Zul. Abw./Tolerances:
 DIN / ISO 13715

Maßstab / Scale: 2:1; 1:1
 A3
CUSTOMER DRAWING

Gez. Drawn: 10.02.2020 MCARLE
 Status Released
 Gepr. Checked: 10.02.2021 MBERTSCH

Male receptacle rear mounting

| | | | |
|-------|------------------------|--------------|--------|
| 02 | 202000083 | 03.11.2020 | MCARLE |
| 01 | 202000001 | 10.02.2020 | MCARLE |
| Index | Änderung / Description | Datum / Date | Name |

Amphenol Tuchel Industrial GmbH
 M CA T 3XXX 100+110+118 U
 Ers. f. / Replacement for:

| | | | |
|--|----------------|----|--------------|
| | 19 (19-a) | Ag | T 3692 100 U |
| | | Au | T 3692 118 U |
| | 14 (14-b) | Ag | T 3672 100 U |
| | | Au | T 3672 118 U |
| | 14 (14-a) | Ag | T 3652 110 U |
| | | Au | T 3652 100 U |
| | 12 (12-a) | Ag | T 3637 110 U |
| | | Au | T 3637 100 U |
| | 8 (08-a) | Ag | T 3506 100 U |
| | | Au | T 3506 118 U |
| | 7 (07-b) | Ag | T 3486 100 U |
| | | Au | T 3486 118 U |
| | 7 (07-a) | Ag | T 3477 100 U |
| | | Au | T 3477 118 U |
| | 6 (6-a) | Ag | T 3402 100 U |
| | | Au | T 3402 118 U |
| | 5 (05-b) | Ag | T 3358 100 U |
| | | Au | T 3358 118 U |
| | 5 (05-a) | Ag | T 3362 100 U |
| | | Au | T 3362 118 U |
| | 4 (04-a) | Ag | T 3302 100 U |
| | | Au | T 3302 118 U |
| | 3 (03-a) | Ag | T 3262 100 U |
| | | Au | T 3262 118 U |
| | 2 (Pin 1+3) | Ag | T 3202 100 U |
| | | Au | T 3202 118 U |

Contact arrangement View on mating side
 Number of contacts (Contact arrangement acc. DIN EN 61076-2-106)
 Part number

¹⁾ Edition 2000-05
²⁾ values in brackets are according to DIN EN 61076-2-106
³⁾ under operating conditions >10⁹ Ohm
 Do not connect or disconnect under load Metal housing parts shall be securely incorporated to protected ground
 Remark for gold plated contacts:
 In order to avoid brittle inter-metallic connections, gold plated terminals have to be tin-plated in the solder area.
 All technical data have been measured in a laboratory environment and can be different during practical usage of the product. Any product information is for descriptive usage only and not legally binding, particularly the information does not constitute or provide any legal guaranties ("Beschaffenheitsgarantie" or "Haltbarkeitsgarantie").

Copying of this document and giving it to others and the use or communication of the contents thereof, are forbidden without express authority. Offenders are liable to the payment of damages. All rights are reserved in the event of the grant of a patent or the registration of the utility model or design.
 Weitergabe sowie Vervielfältigung dieser Unterlage, Verwertung und Mitteilung ihres Inhalts nicht gestattet, soweit nicht ausdrücklich zugestanden. Zuwiderhandlungen verpflichten zu Schadensersatz. Alle Rechte für den Fall der Patenterteilung oder Gebrauchsmuster-Eintragung vorbehalten.

X-ON Electronics

Largest Supplier of Electrical and Electronic Components

Click to view similar products for [Circular DIN Connectors](#) category:

Click to view products by [Amphenol](#) manufacturer:

Other Similar products are found below :

[60KD4M](#) [M83723/76W22326](#) [M83723/78R22327](#) [D38999/24WJ29PA](#) [D38999/26FE99SN L/C](#) [75-069228-21J](#) [75-474014-07L](#) [88-559975-75P](#) [8R3006A18M0033](#) [PT02E1283P](#) [GTC00G-24-7S](#) [PT05A-14-5SX](#) [PT05A1832SW](#) [PT05E2255PW](#) [PT05SE1832SWLC](#) [PT05SE1832SYLC](#) [GTC030-20-27PW-LC](#) [GTC030A-20-33S](#) [PT06SE1811SXLC](#) [1211290078](#) [1211810025](#) [1210120122](#) [ACC06AF-20-23P\(003\)](#) [1210503216](#) [1211290084](#) [1211500027](#) [ACS06AF-16-10P\(003\)](#) [D38999/40FB35AN](#) [D38999/40FB35BB](#) [D38999/40WB35BN](#) [D38999/40WD35PN](#) [D38999/40WJ29SN-L/C](#) [D38999/40WJ4BN](#) [D38999/42FB35BN](#) [D38999/42WB35AB](#) [D38999/42WB35PB-L/C](#) [D38999/42WJ19AN](#) [D38999/42WJ24PN-L/C](#) [D38999/44WB35AN](#) [D38999/44WH21AN](#) [D38999/44WH35AN](#) [D38999/44WJ29BA](#) [D38999/44WJ35PN](#) [D38999/44WJ61BA](#) [D38999/46FB35AC](#) [D38999/46FB35BN](#) [D38999/46FB35SA-L/C](#) [D38999/46FB99BA](#) [D38999/46FB99BN](#) [D38999/46FJ19SA-L/C](#)