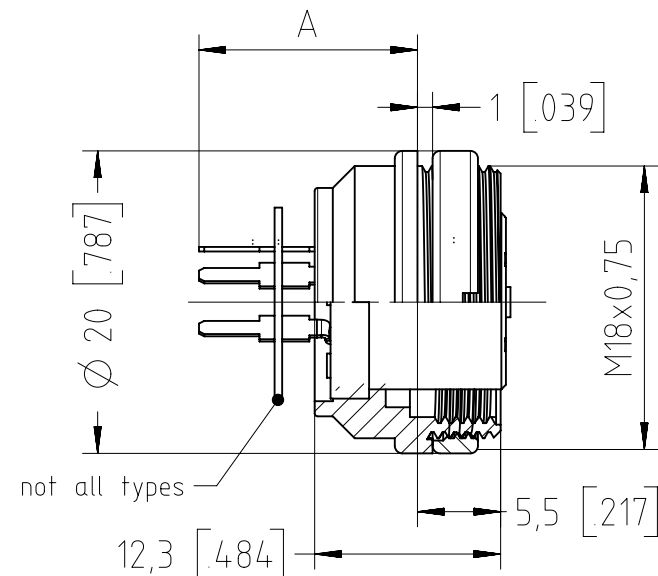
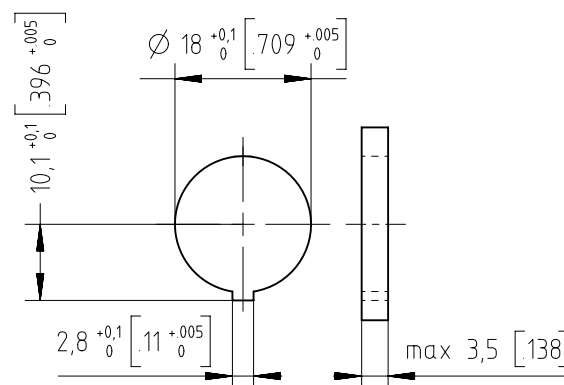


Copying of this document and giving it to others and the use or communication of the contents thereof, are forbidden without express authority. Offenders are liable to the payment of damages. All rights are reserved in the event of the grant of a patent or the registration of the utility model or design.



Panel Cutout  
M1:1



Number of contacts	Standard	2+3 <sup>1)</sup>	4	5	5S	6	7	7	8	12	14	
Contact arrangement	DIN EN 61076-2-106	03-a	04-a	05-a	05-b	06-a	07-a	07-b	08-a	12-a	14-a	
Contact arrangement	IEC 60130-9 <sup>2)</sup>			-			-					
Rated voltage <sup>3)</sup>	IEC 60664-1	300 V (100 V)	300 V (63 V)	100 V (32 V)	300 V (63 V)	100 V (32 V)	150 V (32 V)					
Rated voltage	UL 1977	250 V						60 V				
Rated impulse withstand voltage <sup>3)</sup>	IEC 60664-1	1500 V (840 V)	1200 V (500 V)	1500 V (840 V)	1200 V (500 V)							
Pollution degree <sup>3)</sup>	IEC 60664-1	1 (2)										
Installation category	IEC 60664-1	I										
Insulation group	IEC 60664-1	II, 400 ≤ CTI < 600										
Current rating	IEC 60512-5-2 UL 1977	5A/+40°C/+104°F						3A/+40°C/+104°F				
Insulation resistance	IEC 60512-3-1	>10 <sup>10</sup> Ω <sup>4)</sup>										
Contact resistance	IEC 60512-2-1	<5m Ω										
Climatic category	IEC 60668-1	40 / 100 / 56										
Temperatur range	IEC 60668-1	-40°C...+100°C / -40°F...+212°F										
IP degree	IEC 60529	IP 40										
Insertion and withdrawal force	IEC 60512-13-2	25N	30N	35N	50N	55N	60N	50N				
Mechanical operation	IEC 60512-9-1	≥500 mating cycles										
Housing material		brass and / or zinc die cast, nickel plated										
Dielectric material		thermoplastic										
Contacts		silver plated										
Termination technique		solder										
Flamability		UL 94 VO										
locking system	IEC 60130-9 DIN EN 61076-2-106	metal screw coupling; tightening torque 0,7Nm										

	14 (14-a)	T 3653 400 U	T 3653 420 U	T 3653 430 U
	12 (12-a)	T 3638 400 U	T 3638 420 U	T 3638 430 U
	8 (08-a)	T 3507 400 U	T 3507 420 U	T 3507 430 U
	7 (07-b)	T 3487 400 U	T 3487 420 U	T 3487 430 U
	7 (07-a)	T 3478 400 U	T 3478 420 U	T 3478 430 U
	6 (6-a)	T 3403 400 U	T 3403 420 U	T 3403 430 U
	5 (05-b)	T 3359 400 U	T 3359 420 U	T 3359 430 U
	5 (05-a)	T 3363 400 U	T 3363 420 U	T 3363 430 U
	4 (04-a)	T 3303 400 U	T 3303 420 U	T 3303 430 U
	3 (03-a)	T 3263 400 U	T 3263 420 U	T 3263 430 U
	2 (Pin 1+3)	T 3203 400 U	T 3203 420 U	T 3203 430 U

<b>Contact arrangement</b> View on mating side Number of contacts (Contact arrangement acc. DIN EN 61076-2-106) A=10,5mm [.413] A=14,5mm [.413] A=19,5mm [.413]	Zul. Abw./Tolerances: Maßstab / Scale: 2:1; 1:1 A3
Gewicht (errechnet) / Calc WT: Prüfmäß / Testdimension Teileindex Partindexnumber	CUSTOMER DRAWING Female receptacle rear mounting, dip solder
Datum/Date: 13.01.2016 Name: MGRIM Status: Released Inspector: 14.01.2016 MGRIM	M GA T 3XXX 4X0 U Blatt/Sheet: 1 1 Bl.
Index: 02 Änderung/Description: 201600004 Datum/Date: 13.01.2016 Name: MGRIM	Ers. f. / Replacement for: M-GA T 3XXX 4X0 U Index 01

<sup>1)</sup> 2 contact version: contact loading 1+3  
<sup>2)</sup> Edition 2000-05  
<sup>3)</sup> values in brackets are according to DIN EN 61076-2-106  
<sup>4)</sup> under operating conditions >10<sup>8</sup> Ohm  
 All technical data have been measured in a laboratory environment and can be different during practical usage of the product. Any product information is for descriptive usage only and not legally binding; particularly the information does not constitute or provide any legal guaranties. Do not connect or disconnect under load. Metal housing parts shall be securely incorporated to protected ground. Parts according to directive 2002/95/EG (RoHS).  
 Remark for gold plated contacts:  
 In order to avoid brittle inter-metallic connections, gold plated terminals have to be tin-plated in the solder area.

Weitergabe sowie Vervielfältigung dieser Unterlage, Verwertung und Mitteilung ihres Inhalts nicht gestattet, soweit nicht ausdrücklich zugestanden. Zuwiderhandlungen verpflichten zu Schadenersatz. Alle Rechte für den Fall der Patenterteilung oder Gebrauchsmuster-Eintragung vorbehalten.

## X-ON Electronics

Largest Supplier of Electrical and Electronic Components

*Click to view similar products for [Circular DIN Connectors](#) category:*

*Click to view products by [Amphenol](#) manufacturer:*

Other Similar products are found below :

[60KD4M](#) [M83723/76W22326](#) [M83723/78R22327](#) [D38999/24WJ29PA](#) [D38999/26FE99SN L/C](#) [75-069228-21J](#) [75-474014-07L](#) [88-559975-75P](#) [8R3006A18M0033](#) [PT02E1283P](#) [GTC00G-24-7S](#) [PT05A-14-5SX](#) [PT05A1832SW](#) [PT05E2255PW](#) [PT05SE1832SWLC](#) [PT05SE1832SYLC](#) [GTC030-20-27PW-LC](#) [GTC030A-20-33S](#) [PT06SE1811SXLC](#) [1211290078](#) [1211810025](#) [1210120122](#) [ACC06AF-20-23P\(003\)](#) [1210503216](#) [1211290084](#) [1211500027](#) [ACS06AF-16-10P\(003\)](#) [D38999/40FB35AN](#) [D38999/40FB35BB](#) [D38999/40WB35BN](#) [D38999/40WD35PN](#) [D38999/40WJ29SN-L/C](#) [D38999/40WJ4BN](#) [D38999/42FB35BN](#) [D38999/42WB35AB](#) [D38999/42WB35PB-L/C](#) [D38999/42WJ19AN](#) [D38999/42WJ24PN-L/C](#) [D38999/44WB35AN](#) [D38999/44WH21AN](#) [D38999/44WH35AN](#) [D38999/44WJ29BA](#) [D38999/44WJ35PN](#) [D38999/44WJ61BA](#) [D38999/46FB35AC](#) [D38999/46FB35BN](#) [D38999/46FB35SA-L/C](#) [D38999/46FB99BA](#) [D38999/46FB99BN](#) [D38999/46FJ19SA-L/C](#)