

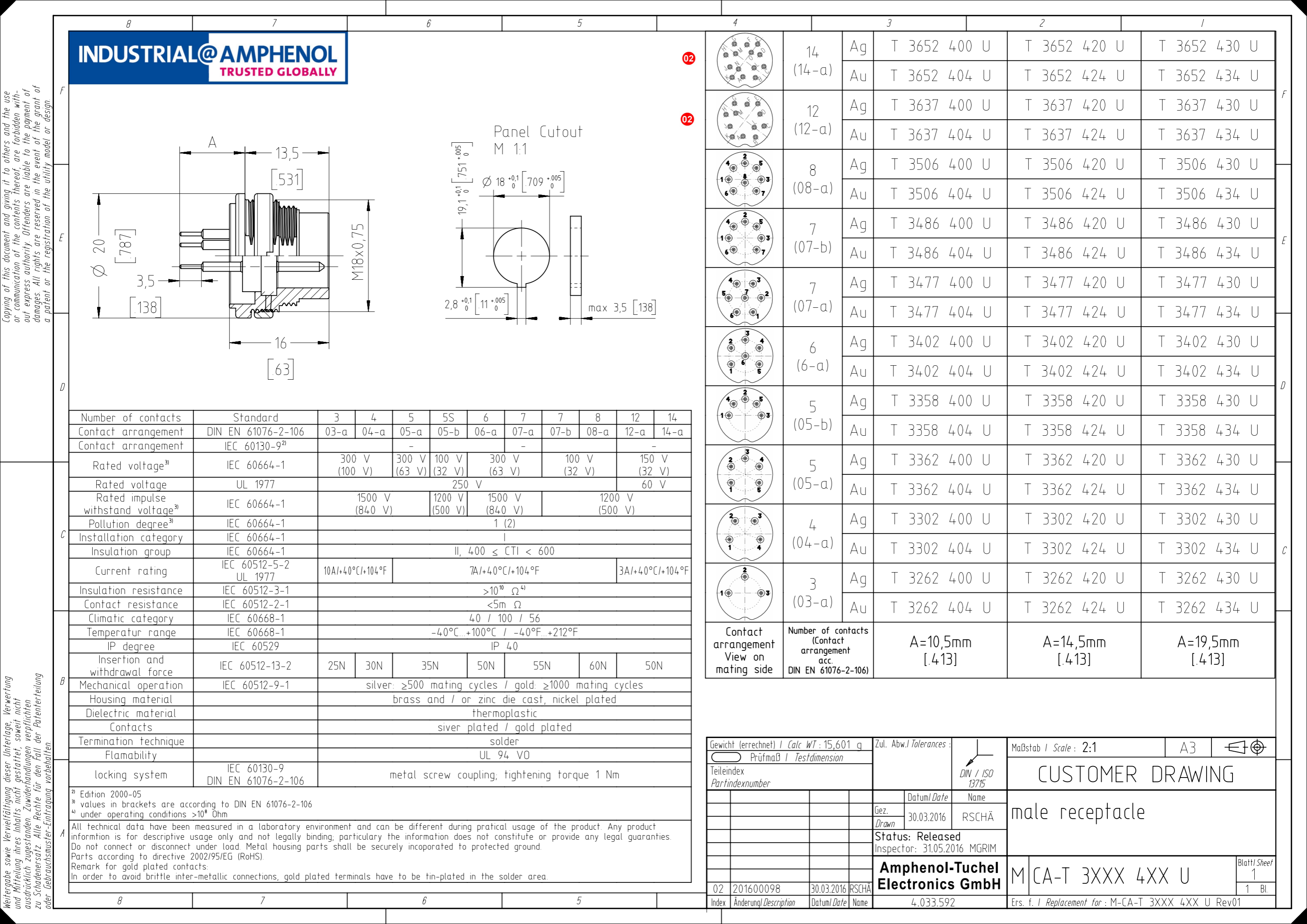
Number of contacts	Standard	3	4	5	5S	6	7	7	8	12	14	
Contact arrangement	DIN EN 61076-2-106	03-a	04-a	05-a	05-b	06-a	07-a	07-b	08-a	12-a	14-a	
Contact arrangement	IEC 60130-9 <sup>2)</sup>			-								
Rated voltage <sup>3)</sup>	IEC 60664-1	300 V (100 V)	300 V (63 V)	100 V (32 V)	300 V (63 V)	100 V (32 V)	150 V (32 V)					
Rated voltage	UL 1977	250 V						60 V				
Rated impulse withstand voltage <sup>3)</sup>	IEC 60664-1	1500 V (840 V)	1200 V (500 V)	1500 V (840 V)	1200 V (500 V)							
Pollution degree <sup>3)</sup>	IEC 60664-1	1 (2)										
Installation category	IEC 60664-1	I										
Insulation group	IEC 60664-1	II, 400 ≤ CTI < 600										
Current rating	IEC 60512-5-2 UL 1977	10A/+40°C/+104°F	7A/+40°C/+104°F				3A/+40°C/+104°F					
Insulation resistance	IEC 60512-3-1	>10 <sup>10</sup> Ω <sup>4)</sup>										
Contact resistance	IEC 60512-2-1	<5m Ω										
Climatic category	IEC 60668-1	40 / 100 / 56										
Temperatur range	IEC 60668-1	-40°C...+100°C / -40°F...+212°F										
IP degree	IEC 60529	IP 40										
Insertion and withdrawal force	IEC 60512-13-2	25N	30N	35N	50N	55N	60N	50N				
Mechanical operation	IEC 60512-9-1	silver: ≥500 mating cycles / gold: ≥1000 mating cycles										
Housing material		brass and / or zinc die cast, nickel plated										
Dielectric material		thermoplastic										
Contacts		silver plated / gold plated										
Termination technique		solder										
Flamability		UL 94 V0										
locking system	IEC 60130-9 DIN EN 61076-2-106	metal screw coupling; tightening torque 1 Nm										

<sup>2)</sup> Edition 2000-05  
<sup>3)</sup> values in brackets are according to DIN EN 61076-2-106  
<sup>4)</sup> under operating conditions >10<sup>8</sup> Ohm  
 All technical data have been measured in a laboratory environment and can be different during practical usage of the product. Any product information is for descriptive usage only and not legally binding; particularly the information does not constitute or provide any legal guaranties. Do not connect or disconnect under load. Metal housing parts shall be securely incorporated to protected ground.  
 Parts according to directive 2002/95/EG (RoHS).  
 Remark for gold plated contacts:  
 In order to avoid brittle inter-metallic connections, gold plated terminals have to be tin-plated in the solder area.

14 (14-a)	Ag	T 3652 400 U	T 3652 420 U	T 3652 430 U
	Au	T 3652 404 U	T 3652 424 U	T 3652 434 U
12 (12-a)	Ag	T 3637 400 U	T 3637 420 U	T 3637 430 U
	Au	T 3637 404 U	T 3637 424 U	T 3637 434 U
8 (08-a)	Ag	T 3506 400 U	T 3506 420 U	T 3506 430 U
	Au	T 3506 404 U	T 3506 424 U	T 3506 434 U
7 (07-b)	Ag	T 3486 400 U	T 3486 420 U	T 3486 430 U
	Au	T 3486 404 U	T 3486 424 U	T 3486 434 U
7 (07-a)	Ag	T 3477 400 U	T 3477 420 U	T 3477 430 U
	Au	T 3477 404 U	T 3477 424 U	T 3477 434 U
6 (6-a)	Ag	T 3402 400 U	T 3402 420 U	T 3402 430 U
	Au	T 3402 404 U	T 3402 424 U	T 3402 434 U
5 (05-b)	Ag	T 3358 400 U	T 3358 420 U	T 3358 430 U
	Au	T 3358 404 U	T 3358 424 U	T 3358 434 U
5 (05-a)	Ag	T 3362 400 U	T 3362 420 U	T 3362 430 U
	Au	T 3362 404 U	T 3362 424 U	T 3362 434 U
4 (04-a)	Ag	T 3302 400 U	T 3302 420 U	T 3302 430 U
	Au	T 3302 404 U	T 3302 424 U	T 3302 434 U
3 (03-a)	Ag	T 3262 400 U	T 3262 420 U	T 3262 430 U
	Au	T 3262 404 U	T 3262 424 U	T 3262 434 U
Contact arrangement View on mating side	Number of contacts (Contact arrangement acc. DIN EN 61076-2-106)	A=10,5mm [.413]		A=14,5mm [.413]
		A=19,5mm [.413]		

Gewicht (errechnet) / Calc WT: 15,601 g	Zul. Abw./Tolerances:	Maßstab / Scale: 2:1	A3
Prüfmaß / Testdimension	DIN / ISO 13715	CUSTOMER DRAWING	
Teilindex / Partindexnumber		male receptacle	
Datum / Date	Name	Status: Released	
Gez. / Drawn	RSCHÄ	Inspector: 31.05.2016 MGRIM	
Amphenol-Tuchel Electronics GmbH		Blatt / Sheet 1	
Index	Änderung / Description	Datum / Date	Name
02	201600098	30.03.2016	RSCHÄ
4.033.592		Ers. f. / Replacement for: M-CA-T 3XXX 4XX U Rev01	

Weitergabe sowie Vervielfältigung dieser Unterlage, Verwertung und Mitteilung ihres Inhalts nicht gestattet, soweit nicht ausdrücklich zugestanden. Zuwiderhandlungen verpflichten zu Schadenersatz. Alle Rechte für den Fall der Patenterteilung oder Gebrauchsmuster-Ertragung vorbehalten.



## X-ON Electronics

Largest Supplier of Electrical and Electronic Components

*Click to view similar products for [Circular DIN Connectors](#) category:*

*Click to view products by [Amphenol](#) manufacturer:*

Other Similar products are found below :

[60KD4M](#) [M83723/76W22326](#) [M83723/78R22327](#) [D38999/24WJ29PA](#) [D38999/26FE99SN L/C](#) [75-069228-21J](#) [75-474014-07L](#) [88-559975-75P](#) [8R3006A18M0033](#) [PT02E1283P](#) [GTC00G-24-7S](#) [PT05A-14-5SX](#) [PT05A1832SW](#) [PT05E2255PW](#) [PT05SE1832SWLC](#) [PT05SE1832SYLC](#) [GTC030-20-27PW-LC](#) [GTC030A-20-33S](#) [PT06SE1811SXLC](#) [1211290078](#) [1211810025](#) [1210120122](#) [ACC06AF-20-23P\(003\)](#) [1210503216](#) [1211290084](#) [1211500027](#) [ACS06AF-16-10P\(003\)](#) [D38999/40FB35AN](#) [D38999/40FB35BB](#) [D38999/40WB35BN](#) [D38999/40WD35PN](#) [D38999/40WJ29SN-L/C](#) [D38999/40WJ4BN](#) [D38999/42FB35BN](#) [D38999/42WB35AB](#) [D38999/42WB35PB-L/C](#) [D38999/42WJ19AN](#) [D38999/42WJ24PN-L/C](#) [D38999/44WB35AN](#) [D38999/44WH21AN](#) [D38999/44WH35AN](#) [D38999/44WJ29BA](#) [D38999/44WJ35PN](#) [D38999/44WJ61BA](#) [D38999/46FB35AC](#) [D38999/46FB35BN](#) [D38999/46FB35SA-L/C](#) [D38999/46FB99BA](#) [D38999/46FB99BN](#) [D38999/46FJ19SA-L/C](#)