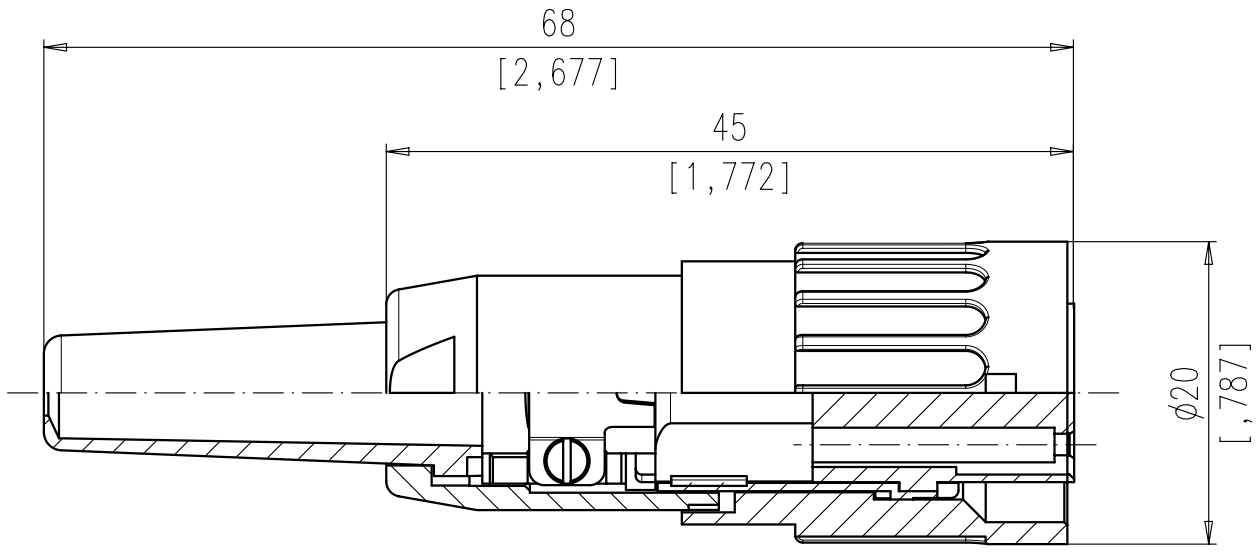


Copying of this document and giving it to others and the use or communication of the contents thereof, are forbidden without express authority. Offenders are liable to the payment of damages. All rights are reserved in the event of the grant of a patent or the registration of the utility model or design.



|  |                                     |   |               |               |                  |                  |               |                  |                     |    |     |  |
|--|-------------------------------------|---|---------------|---------------|------------------|------------------|---------------|------------------|---------------------|----|-----|--|
| Polzahl<br>number of contacts  | Norm<br>standard                    | 3   | 4             | 5             | 5                | 6                | 7             | 7                | 8                   | 12 | 14  |  |
| D Kontaktanordnung nach DIN<br>contact arrangement acc. to DIN<br>Kontaktanordnung nach IEC<br>contact arrangement acc. to IEC |                                     | 41524<br>60130-9  | -<br>60130-9  | -             | 41524<br>60130-9 | 45322<br>60130-9 | -             | 45329<br>60130-9 | 45326<br>60130-9    | -  | -   |  |
| Bemessungsspannung<br>rated voltage  | IEC 60664-1                         | 300V =  |               | 100V =        | 300V =           |                  | 100V =        |                  | 150V =              |    |     |  |
| Bemessungsspannung<br>rated voltage  | UL 1977                             | 250V  |               |               |                  |                  |               |                  |                     |    | 60V |  |
| Bemessungs-Stoßspannung<br>rated impulse withstand voltage   | IEC 60664-1                         | 1500V   |               | 1200V         | 1500V            |                  | 1200V         |                  |                     |    |     |  |
| Verschmutzungsgrad<br>pollution degree   | IEC 60664-1                         | 1   |               |               |                  |                  |               |                  |                     |    |     |  |
| Überspannungskategorie<br>installation category  | IEC 60664-1                         | I   |               |               |                  |                  |               |                  |                     |    |     |  |
| Isolierstoffgruppe<br>insulation group   | IEC 60664-1                         | II, 400 ≤ CTI < 600   |               |               |                  |                  |               |                  |                     |    |     |  |
| Strombelastbarkeit<br>current rating   | IEC 60512-5-2<br>Test 5b<br>UL 1977 | 5A / +40°C / +104°F   |               |               |                  |                  |               |                  | 3A / +40°C / +104°F |    |     |  |
| Isolationswiderstand<br>insulation resistance  | IEC 60512-3-1<br>Test 3a            | >10 <sup>10</sup> Ω   |               |               |                  |                  |               |                  |                     |    |     |  |
| Durchgangswiderstand<br>contact resistance   | IEC 60512-2-1<br>Test 2a            | < 5m Ω  |               |               |                  |                  |               |                  |                     |    |     |  |
| Prüfklasse<br>climatic category  | IEC 60068-1                         | 40 / 100 / 56   |               |               |                  |                  |               |                  |                     |    |     |  |
| Temperaturbereich<br>temperatur range  | IEC 60068-1                         | -40°C ... +100°C<br>-40°F ... +212°F  |               |               |                  |                  |               |                  |                     |    |     |  |
| IP-Schutzart<br>IP-degree  | IEC 60529                           | IP 40   |               |               |                  |                  |               |                  |                     |    |     |  |
| Steck- und Ziehkraft<br>Insertion and withdrawal forces  | IEC 60512-13-2<br>Test 13b          | 25N<br>90.oz  | 30N<br>110.oz | 35N<br>125.oz | 50N<br>180.oz    | 55N<br>200.oz    | 60N<br>220.oz | 50N<br>180.oz    |                     |    |     |  |
| Mechanische Lebensdauer<br>mechanical operation  | IEC 60512-9-1<br>Test 9a            | silber/silver ≥ 500 Steckzyklen/mating cycles<br>gold/gold ≥ 1000 Steckzyklen/mating cycles   |               |               |                  |                  |               |                  |                     |    |     |  |
| Werkstoff Gehäuse<br>housing material  |                                     | Überwurfmutter Messing, Zugentlastung Zink-Druckguß, Oberfläche vernickelt<br>coupling ring brass, strain relief, die cast, nickel plated         |               |               |                  |                  |               |                  |                     |    |     |  |
| Werkstoff Kontaktträger<br>dielectric material   |                                     | Thermoplast<br>thermoplastic  |               |               |                  |                  |               |                  |                     |    |     |  |
| Kontaktoberfläche<br>contact plating   |                                     | versilbert/vergoldet<br>silver plated/gold plated   |               |               |                  |                  |               |                  |                     |    |     |  |
| Anschlusstechnik<br>termination technique  |                                     | crimpen<br>crimp  |               |               |                  |                  |               |                  | -                   |    |     |  |
| A Anschlussquerschnitt<br>wire gauge   |                                     | crimp: 2-6 pol(ausschließlich/excluding 5S): 0,09-1,00mm <sup>2</sup> / 28-18 AWG<br>crimp 5S, 7, 7S, 8 pol: 0,09-0,75mm <sup>2</sup> / 28-20 AWG |               |               |                  |                  |               |                  |                     |    |     |  |
| Brennbarkeit<br>flammability   |                                     | UL 94 V0  |               |               |                  |                  |               |                  |                     |    |     |  |
| Verriegelung<br>locking system   |                                     | Bajonett<br>bayonet   |               |               |                  |                  |               |                  |                     |    |     |  |

|                  |                               |                                       |
|------------------|-------------------------------|---------------------------------------|
|                  | 14                            | -                                     |
|                  | 12                            | -                                     |
|                  | 8<br>IEC                      | T 3525 551                            |
|                  | 7<br>IEC                      | T 3445 551                            |
|                  | 7                             | T 3435 551                            |
|                  | 6                             | T 3425 551                            |
|                  | 5                             | T 3375 551                            |
|                  | 5<br>IEC                      | T 3395 551                            |
|                  | 4                             | T 3325 551                            |
|                  | 3                             | T 3275 551                            |
| SYMBOL<br>symbol | POLZAHL<br>number of contacts | TYP-NUMMER-CRIMP<br>type-number-crimp |

Diese Steckverbinder dürfen betriebsmäßig nicht unter Spannung betätigt werden. Metallene Gehäuseteile sind sicher mit dem Schutzleitersystem zu verbinden.  
 Do not connect or disconnect under load. Metal housing parts shall be securely incorporated to protected ground.  
 Crimpkontakte bitte separat bestellen, Details siehe M-N 02 015 00XX (X) oder Katalog C091 A/B/D Seite 44  
 please order crimp contacts separately, details see M-N 02 015 00XX (X) or catalog C091 A/B/D page 44

|                                 |                      |                       |            |                                     |            |                     |  |
|---------------------------------|----------------------|-----------------------|------------|-------------------------------------|------------|---------------------|--|
| Gewicht (errechnet)/ Calc WT:   | 9                    | Zul. Abw./Tolerances: |            | Maßstab/Scale                       | 2:1        | A3                  |  |
| Prüfmaß/Testdimension           |                      |                       |            | CUSTOMER DRAWING                    |            |                     |  |
| Teileindex<br>Part index number |                      |                       |            | 08                                  | Datum/Date | Name                |  |
|                                 |                      |                       |            | Gez.<br>Drawn                       | 09.07.     | Cionvica            | Kabeldose gerade<br>Female cable connector |
|                                 |                      |                       |            | Gep.<br>Checked                     |            |                     |  |
|                                 |                      |                       |            | Amphenol-Tuchel<br>Electronics GmbH |            |                     | Blatt/Sheet<br>1                           |
| 01                              | 200700144            | 09.07.08              | CI         | M DB T 3XX5 551                     |            |                     | 1 Bl.                                      |
| Index                           | Änderung/Description |                       | Datum/Date | Name                                |            | Ers. f./Similar to: |  |

## X-ON Electronics

Largest Supplier of Electrical and Electronic Components

*Click to view similar products for [Circular DIN Connectors](#) category:*

*Click to view products by [Amphenol](#) manufacturer:*

Other Similar products are found below :

[60KD4M](#) [M83723/76W22326](#) [M83723/78R22327](#) [D38999/24WJ29PA](#) [D38999/26FE99SN L/C](#) [75-069228-21J](#) [75-474014-07L](#) [88-559975-75P](#) [8R3006A18M0033](#) [PT02E1283P](#) [GTC00G-24-7S](#) [PT05A-14-5SX](#) [PT05A1832SW](#) [PT05E2255PW](#) [PT05SE1832SWLC](#) [PT05SE1832SYLC](#) [GTC030-20-27PW-LC](#) [GTC030A-20-33S](#) [PT06SE1811SXLC](#) [1211290078](#) [1211810025](#) [1210120122](#) [ACC06AF-20-23P\(003\)](#) [1210503216](#) [1211290084](#) [1211500027](#) [ACS06AF-16-10P\(003\)](#) [D38999/40FB35AN](#) [D38999/40FB35BB](#) [D38999/40WB35BN](#) [D38999/40WD35PN](#) [D38999/40WJ29SN-L/C](#) [D38999/40WJ4BN](#) [D38999/42FB35BN](#) [D38999/42WB35AB](#) [D38999/42WB35PB-L/C](#) [D38999/42WJ19AN](#) [D38999/42WJ24PN-L/C](#) [D38999/44WB35AN](#) [D38999/44WH21AN](#) [D38999/44WH35AN](#) [D38999/44WJ29BA](#) [D38999/44WJ35PN](#) [D38999/44WJ61BA](#) [D38999/46FB35AC](#) [D38999/46FB35SA-L/C](#) [D38999/46FB99BA](#) [D38999/46FJ19SA-L/C](#) [D38999/46FJ29AA](#) [D38999/46FJ29AN](#)