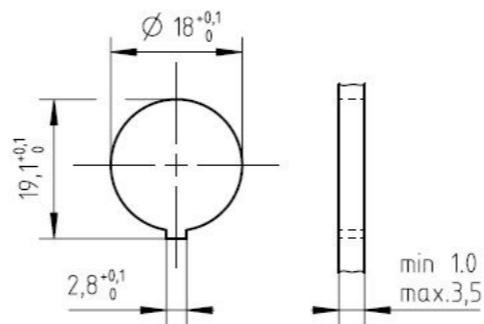


* for 12 and 14 pol dimension is 6,45

Panel cutout M1:1



Number of contacts	Standard	3	4	5	5	6	7	7	8	12	14
Contact arrangement	IEC 61076-2-106	03-a	04-a	05-a	05-b	06-a	07-a	07-b	08-a	12-a	14-a
Contact arrangement	IEC 60130-9 ¹⁾	yes	no	yes	no	yes	no	yes	no		
Rated voltage ²⁾	IEC 60664-1	300 V (100 V)	300 V (63 V)	100 V (32 V)	300 V (63 V)	100 V (32 V)	100 V (32 V)	150 V (32 V)			
Rated voltage	UL 1977	250V						60V			
Rated impulse withstand voltage ²⁾	IEC 60664-1	1500 V (1500 V)		1200 V (800 V)	1500 V (1500 V)		1200 V (800 V)				
Pollution degree ²⁾	IEC 60664-1	1 (2)									
Installation category	IEC 60664-1	I									
Insulation group	IEC 60664-1	II, 400 ≤ CTI < 600									
Current rating	IEC 60512-5-2 UL 1977	10A/+40°C		7A/+40°C					3A/+40°C		
Insulation resistance	IEC 60512-3-1	>10 ¹⁰ Ohm ³⁾									
Contact resistance	IEC 60512-2-1	<5mOhm									
Climatic category	IEC 60668-1	40 / 100 / 56									
Temperatur range	IEC 60668-1	-40°C...+100°C / -40°F...+212°F									
IP degree	IEC 60529	IP 40									
Insertion and withdrawal force	IEC 60512-13-2	25N	30N	35N	35N	50N	55N	55N	60N	50N	50N
mechanical operation	IEC 60512-9-1	Silver ≥500 mating cycles / Gold ≥1000 mating cycles									
housing material		brass and / or zinc die cast, nickel plated or thermoplast									
dielectric material		thermoplastic									
contacts		silver or gold plated, please order contacts separately acc to drawing M-N 01 015 00XX X (3-8pol) or M-N 01 010 0158 X (12-14pol)									
termination technique		crimp									
wire gauge		0,09-1,0mm ²		0,09-0,75 mm ²	0,09-1,0 mm ²	0,09-0,75mm ²			0,09-0,25mm ²		
flamability		UL 94 VO									
locking system		metal screw coupling; tightening torque 0,7 - 1,5 Nm									

¹⁾ Edition 2000-05
²⁾ values in brackets are according to DIN EN 61076-2-106
³⁾ under operating conditions >10⁸ Ohm

Do not connect or disconnect under load. Metal housing parts shall be securely incorporated to protected ground. All technical data have been measured in a laboratory environment and can be different during practical usage of the product. Any product information is for descriptive usage only and not legally binding; particularly the information does not constitute or provide any legal guaranties ("Beschaffungsgarantie" or "Haltbarkeitsgarantie").

	14 (14-a)	T 3652 150 U
	12 (12-a)	T 3637 150 U
	8 (08-a)	T 3506 150 U
	7 (07-b)	T 3486 150 U
	7 (07-a)	T 3477 150 U
	6 (6-a)	T 3402 150 U
	5 (05-b)	T 3358 150 U
	5 (05-a)	T 3362 150 U
	4 (04-a)	T 3302 150 U
	3 (03-a)	T 3262 150 U
	2 (Pin 1+3)	T 3202 150 U

Contact arrangement View on mating side	Number of contacts (Contact arrangement acc. DIN EN 61076-2-106)	Part number
--	---	-------------

Gewicht (errechnet) / Calc WT: 15,793 g	Zul. Abw./Tolerances:	Maßstab / Scale: 2:1;1:1	A3	
Prüfmaß / Testdimension	ISO 2768-c	CUSTOMER DRAWING		
Teileindex / Partindexnumber:	DIN / ISO 13715	Male receptacle rear mounting		
Bagatelle change:	Gez. 14.06.2021	Amphenol Tuchel Industrial GmbH		
	Drawn MCARLE			
	Status Released			
	Gepr. 16.06.2021	M CA T 3XXX 150 U		
	Checked MBERTSCH	Blatt / Sheet 1		
01 202100006 15.06.2021 MCARLE		1 Bl.		
Index Änderung / Description Datum / Date Name		Ers. f. / Replacement for:		

Weitergabe sowie Vervielfältigung dieser Unterlage, Verwertung und Mitteilung ihres Inhalts nicht gestattet, soweit nicht ausdrücklich zugestanden. Zuwiderhandlungen verpflichten zu Schadensersatz. Alle Rechte für den Fall der Patenterteilung oder Gebrauchsmuster-Eintragung vorbehalten.

FAI2021-002707
NXM-V03

X-ON Electronics

Largest Supplier of Electrical and Electronic Components

Click to view similar products for [Circular DIN Connectors](#) category:

Click to view products by [Amphenol](#) manufacturer:

Other Similar products are found below :

[60KD4M](#) [M83723/76W22326](#) [M83723/78R22327](#) [D38999/24WJ29PA](#) [D38999/26FE99SN L/C](#) [75-069228-21J](#) [75-474014-07L](#) [88-559975-75P](#) [8R3006A18M0033](#) [PT02E1283P](#) [GTC00G-24-7S](#) [PT05A-14-5SX](#) [PT05A1832SW](#) [PT05E2255PW](#) [PT05SE1832SWLC](#) [PT05SE1832SYLC](#) [GTC030-20-27PW-LC](#) [GTC030A-20-33S](#) [PT06SE1811SXLC](#) [1211290078](#) [1211810025](#) [1210120122](#) [ACC06AF-20-23P\(003\)](#) [1210503216](#) [1211290084](#) [1211500027](#) [ACS06AF-16-10P\(003\)](#) [D38999/40FB35AN](#) [D38999/40FB35BB](#) [D38999/40WB35BN](#) [D38999/40WD35PN](#) [D38999/40WJ29SN-L/C](#) [D38999/40WJ4BN](#) [D38999/42FB35BN](#) [D38999/42WB35AB](#) [D38999/42WB35PB-L/C](#) [D38999/42WJ19AN](#) [D38999/42WJ24PN-L/C](#) [D38999/44WB35AN](#) [D38999/44WH21AN](#) [D38999/44WH35AN](#) [D38999/44WJ29BA](#) [D38999/44WJ35PN](#) [D38999/44WJ61BA](#) [D38999/46FB35AC](#) [D38999/46FB35BN](#) [D38999/46FB35SA-L/C](#) [D38999/46FB99BA](#) [D38999/46FB99BN](#) [D38999/46FJ19SA-L/C](#)