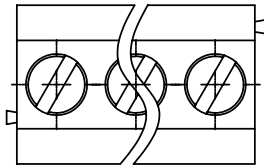


SIGN	DATE	DESCRIPTION	APPROVER
△	04/20/10	Add the tolerance table	Tason
△	10/19/10	Add the "cUL"	Tason

THIS IS CAD DRAWING, DO NOT REVISE MANUALLY!!!

N = Number of poles
 Dim A = (N-1) X 3.5
 Dim B = N x 3.5 △

	Dim A	Dim B
2P	±0.10	±0.10
3-6p	±0.15	±0.15
7-12p	±0.20	±0.20
13-18p	±0.30	±0.30
19-24p	±0.40	±0.40

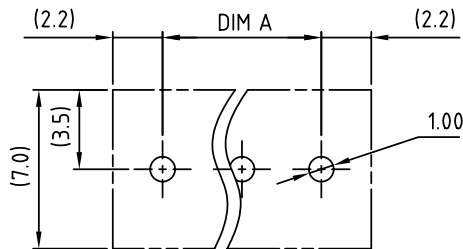
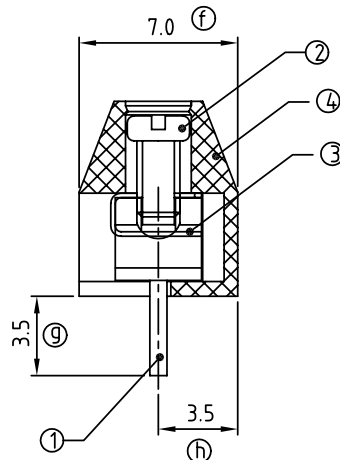
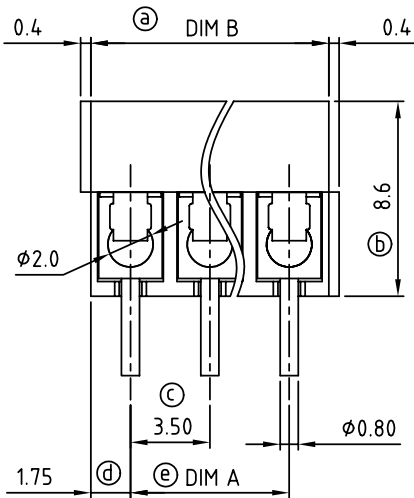


Material

- Item ① Terminal body(metal housing): Brass(CuZn), Tin plated
- Item ② Terminal screw: Steel Zinc plating "-" slot type
- Item ③ Wire guard: Stainless steel
- Item ④ Insulator (housing): Thermoplastic (UL94V-0)

Electrical UL/CUL

- Voltage rating: 125VAC/125V
- Current rating: 10A/10A
- Wire range:
 - Solid wire(AWG): 16-26/16-26
 - Stranded wire(AWG): 16-26/16-16
- Torque(Lb-In): 1.7/1.7
- Screw: M2
- Wire strip length: 5-6mm
- Withstanding Voltage: 1.25KV
- Operating temperature: -40°C to +115°C
- Soldering temperature: 250°C±10°C/5 Sec
- Safety Approval:



P.C.B. LAYOUT

T5 xx 01 x 0 xxxx G			
02	2 CONTACTS	COLOR	0000: "@ " Logo
03	3 CONTACTS	0 Black (RAL9005)	000A: "ANYTEK" Logo
...	...	5 Green(RAL6018/T)	Any special item by customer request.
24	24 CONTACTS	6 Blue (RAL5015/A)	please contact sales department.
		8 Grey(RAL7035/D)	

RoHS Pb<40,000ppm

ANYTEK		CUSTOMER COPY			
TITLE	T5-3.5mm Series				
PART NO.	T5xx01x0xxxxG	DWG NO.	8T50001		
APPROVED	CHECKED	DESIGNED	DRAWN	CUST NO.	
		Tason 2010.10.19	Tason 2010.04.20		
				Tolerance	
				X. ±0.50	
				X.X ±0.30	
				X.XX ±0.10	
				X° ±1°	
				UNIT: mm	
				SCALE: NONE	
				SHEET: 01/01	
				REV.: F	

X-ON Electronics

Largest Supplier of Electrical and Electronic Components

Click to view similar products for [Pluggable Terminal Blocks](#) category:

Click to view products by [Amphenol](#) manufacturer:

Other Similar products are found below :

[57.510.0053](#) [MC 1.5/ 6-ST-3.5 GY AU](#) [734-104](#) [734-302](#) [8-141-P](#) [8426620000](#) [860505](#) [860810](#) [GBPACX-12](#) [93.731.4953.0](#) [PV05-5,08-K](#)
[PVP04-3,50](#) [PVS02-5,00](#) [1-1986160-3](#) [1377680000](#) [1531000000](#) [1546228-5](#) [ELFH16150](#) [ELFP03110](#) [ELFP10210](#) [ELFT06250](#)
[ELVP03100](#) [1700410](#) [1700425](#) [1702246](#) [1717806](#) [1719600](#) [1734692](#) [1734795](#) [1740291](#) [1752441](#) [1752865](#) [1754144](#) [1760051](#) [1760336](#)
[1777701](#) [1783410](#) [1800227](#) [1801080](#) [1836888](#) [1848818](#) [1849079](#) [1860870](#) [1876327](#) [1896417](#) [1903096](#) [19346](#) [1946309](#) [1970579](#) [1973592](#)