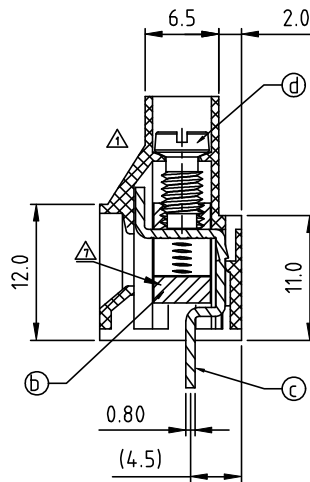
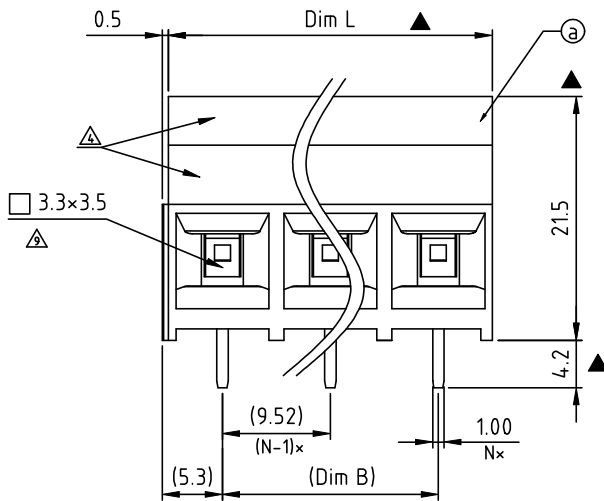
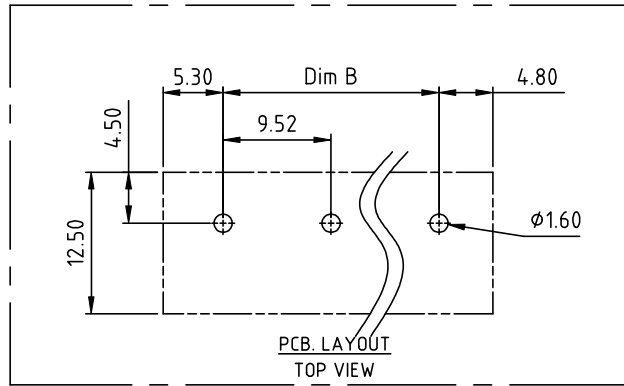
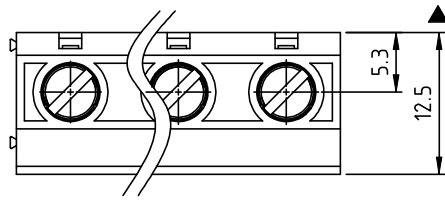


RoHS Compliant



DIMENSION
N = Number of poles

Dim L	Nx9.52
Dim B	(N-1)x9.52

Poles	Dim.L Tol.
2p-6p	±0.20
7p-11p	±0.30
12p-16p	±0.40

T7 xx 23 x 0 xxxx G

RoHS compliant (lead-4%)
In copper Alloy

No. of poles end stackable design

0	Black (RAL9005)	0000 Standard @ Logo
2	Red (RAL3001/D)	000A Standard ANY Logo
3	Orange(RAL2011/P)	Any special item by customer request,
4	Yellow(RAL1018/A)	please contact sales department.
5	Green(RAL6018/T)	
6	Blue (RAL5015/A)	
8	Grey(RAL7035/D)	
9	White(RAL1102)	
C	Green(RAL6018/U)	

Rev.	SIGN	DATE	DESCRIPTION	APPROVER
E	△	9/06'07	Screw is changed from M3.0 to M3.5	Marvin
	△	9/06'07	The Electrical is changed	Marvin
F	△	7/4'09	Current ,operating temperature are changed	Jody
G	△	10/08'09	Change the Body surface and its back into matt surface	Aaron
H	△	10/21'09	Wire guard solder pin is changed from Brass to Copper	Aaron
I	△	02/22'10	Torque is changed from 8.9Lb-In to 6.9Lb-In	Aaron
J	△	08/03'10	Clamp is changed	Aaron
K	△	12/13'10	Add is " TUV "	Chen Bo
L	△	08/07'14	change the dimension from□3.0×3.0 to □3.3×3.5	Evan
	△	08/07'14	update the drawing	Evan
M	△	04/23'23	update the drawing	Guoxue

THIS IS CAD DRAWING, DO NOT REVISE MANUALLY!!!

Material:

- Item (a) Terminal housing : Thermoplastic (UL 94V-0)
- Item (b) Clamp: Brass ,Ni plated
- Item (c) Wire guard solder pin: Copper, Tin plated
- Item (d) Terminal screw: Steel Zinc plating"- "slot type

- △ Electrical cULus TUV
- Voltage rating: 300V 750V
- △ ● Current rating: 30A 41A
- Wire range: 0.20-6.0mm²
- △ ● Solid wire(AWG): 10-24
- △ ● Stranded wire(AWG): 10-24
- △ ● Torque: 8.9 Lb-In 0.85 N.m
- △ ● Screw: M3.5
- Wire strip length: 6-7mm
- Withstanding Voltage: 1.6KV 3.0KV
- △ ● Operating temperature: -40°C to +115°C
- △ ● Wave Soldering temperature: 260°C±5°C/5 Sec
- Safety Approval:
- Critical dimension: ▲
- Reference dimension: (×) The dimensions of pitch are just for reference, take the actual assembly result as a judgment when inserting the terminal block into the PCB hole.

Amphenol ANYTEK				CUSTOMER COPY		
ALL RIGHTS RESERVED. REPRODUCTION OR ISSUE TO THIRD PARTIES IN ANY FORM WHATSOEVER IS NOT PERMITTED WITHOUT WRITTEN AUTHORITY FROM THE PROPRIETOR. PROPERTY OF ANYTEK TECHNOLOGY CO., LTD						
TITLE		T7 9.52 SERIES 180°				
PART NO.		T7xx23x0xxxxG		DWG NO.		8T70101
APPROVED		CHECKED	DESIGNED	DRAWN	CUST NO.	
			Guoxue 2023.04.23	Guoxue 2023.04.23		
						Tolerance
				UNIT: mm		X. ±0.50
				SCALE: NONE		X.X ±0.30
				SHEET: 01/01		X.XX ±0.10
				REV.: M		X° ±1°

X-ON Electronics

Largest Supplier of Electrical and Electronic Components

Click to view similar products for [Fixed Terminal Blocks](#) category:

Click to view products by [Amphenol](#) manufacturer:

Other Similar products are found below :

[MBE-1512](#) [MBE-1520](#) [MBE-154](#) [MBE-156](#) [MBES-156](#) [MH-2512](#) [MHE-132](#) [MHE-163](#) [MI-254 \(35\)](#) [MPT-275](#) [ELM023100](#) [ELM10110G](#)
[BA311TU](#) [BA411SU](#) [MV-254-D](#) [MV-255](#) [MV-493](#) [MVE-252](#) [MVE-253](#) [MVEB-153](#) [1705142](#) [1-796689-8](#) [1841320000](#) [20020314-](#)
[C121B01LF](#) [KP03215000J0G](#) [KP04215000J0G](#) [S451](#) [29.007](#) [29.116](#) [30.204](#) [30.503](#) [30.756](#) [30.853](#) [9872-0-00-15-00-00-33-0](#) [996750](#)
[1710052](#) [20020316-G071B01LF](#) [20020327-C061B01LF](#) [29590](#) [30.652](#) [30.710](#) [30.754](#) [30.757](#) [32.058](#) [37.206](#) [37.208](#) [37.507](#) [37.558](#) [38331-](#)
[5812](#) [38331-8018](#)