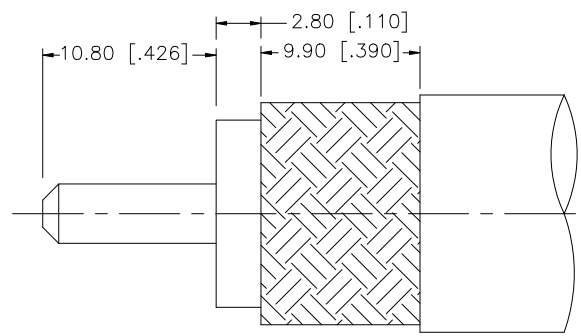
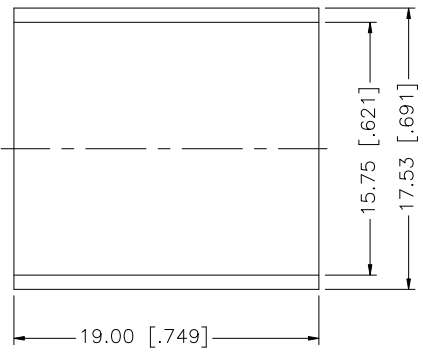
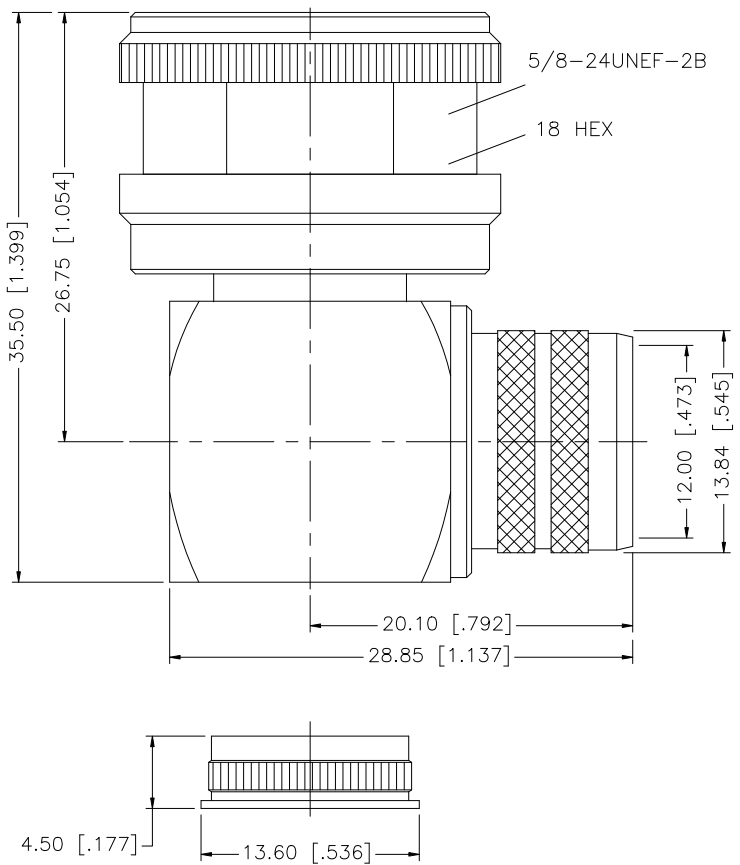


REV.	DATE	DESCRIPTION
NC	10/27/07	INITIAL RELEASE



RECOMMENDED
CABLE STRIPPING DIM'S

- NOTE:
 1. CRIMPED FERRULE HEX CRIMP SIZE .600"
 2. CONTACT PIN TO SOLDER.

QTY	DESCRIPTION	MATERIAL	FINISH
1	BODY	BRASS	GOLD
1	INSULATOR	TEFLON	NATURAL
1	CONTACT PIN	BRASS	GOLD
1	COVER	BRASS	GOLD
1	FERRULE	COPPER	GOLD

UNLESS OTHERWISE SPECIFIED DIMENSIONS ARE IN MILLIMETERS. DIMENSIONS IN [] ARE IN INCHES AND FOR CUSTOMER REFERENCE ONLY.

UNLESS OTHERWISE SPECIFIED TOLERANCES FOR MILLIMETERS ARE:
 0.5 - 8mm ± 0.20mm
 8 - 30mm ± 0.40mm
 30 - 120mm ± 0.50mm

UNLESS OTHERWISE SPECIFIED TOLERANCES FOR INCHES ARE:
 .020 - .315 = ± 0.007"
 .315 - 1.180 = ± 0.015"
 1.180 - 4.724 = ± 0.020"

DO NOT SCALE DRAWING

APPROVALS	DATE
DRAWN G.R.S.	10/27/07
CHECKED	
ISSUED	
SHEET 1 OF 1	
CAD FILE	C:/172/172263-10G.DWG

Amphenol Connex

PART DESCRIPTION
**N R/A DIRECT CRIMP PLUG - SP. HEX NUT
 (FOR LMR-600 CABLE)**

PART NO. **172263-10G**

DWG. NO. 172263-10G.DWG	REV. NC	SIZE A	SCALE NA
-------------------------	---------	--------	----------

X-ON Electronics

Largest Supplier of Electrical and Electronic Components

Click to view similar products for [Circular MIL Spec Connector](#) category:

Click to view products by [Amphenol](#) manufacturer:

Other Similar products are found below :

[89075GULPR](#) [0025-262-542](#) [0025-263-3014](#) [0025-264-3014](#) [58-584653-12P](#) [0134-201-1007](#) [0134-202-1200](#) [0134-207-1206](#) [0134-207-1800](#)
[0134-207-2207](#) [0134-213-0806](#) [0134-213-1007](#) [0134-213-1009](#) [0134-213-1200](#) [0134-213-1208](#) [0134-213-1800](#) [0134-213-2209](#) [0025-258-](#)
[000](#) [0025-259-542](#) [0031-068-002](#) [0031-070-002](#) [015-9516-002](#) [5M30-61](#) [60-042217-10P](#) [0104-201-2402](#) [0114-201-1278](#) [024251-0015](#)
[602GB06EG1832SN](#) [602GB06EG24-61SN](#) [0134-201-1207](#) [0134-201-1410](#) [0134-201-1806](#) [0134-201-2006](#) [0134-201-2007](#) [0134-201-2010](#)
[0134-201-2200](#) [0134-202-1400](#) [0134-207-0809](#) [0134-207-1208](#) [0134-207-2009](#) [0134-213-0800](#) [0134-213-1006](#) [0134-213-1008](#) [0134-213-](#)
[1406](#) [6104-209-1702](#) [6104-209-1902](#) [61-168211-04P](#) [61-168617-10P](#) [6131-202-19149P](#) [6131-204-21149P](#)