

N = Number of poles
 Dim L = N x 5.0
 Dim P = (N - 1) x 5.0

Poles	Dim L	Dim P
2-6p	±0.15	±0.10
7-12p	±0.20	±0.20
13-18p	±0.30	±0.25
19-24p	±0.40	±0.30

SIGN	DATE	DESCRIPTION	APPROVER
△	02.08'06	Standard spec is changed.	Marivn
△	12.01'09	Wire range changed from 1.0-2.5mm ² to 0.5-2.5mm ²	Kind
△	12.01'09	Operating Tem. changed from -30°~105° to -40°~115°	Kind
△	05/18`10	Solid wire changed from 14-22 to 14-26	Tason
△	05/18`10	Stranded wire changed from 14-22 to 14-26	Tason
△	05/18`10	Torque changed from 2.6Lb-In/0.6Nm to 2.6Lb-In/0.5Nm	Tason
△	11/22`10	The dimensional is changed from 0.95mm to 1.00mm	Tason
△	11/28`13	Update the drawing	Guoxue

THIS IS CAD DRAWING, DO NOT REVISE MANUALLY!!!

Material

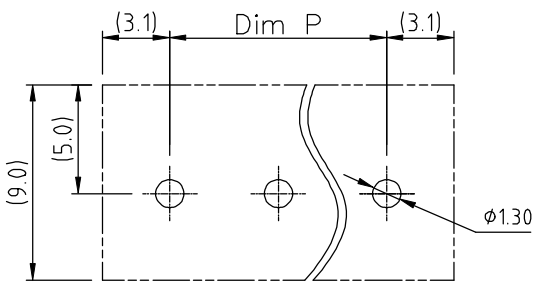
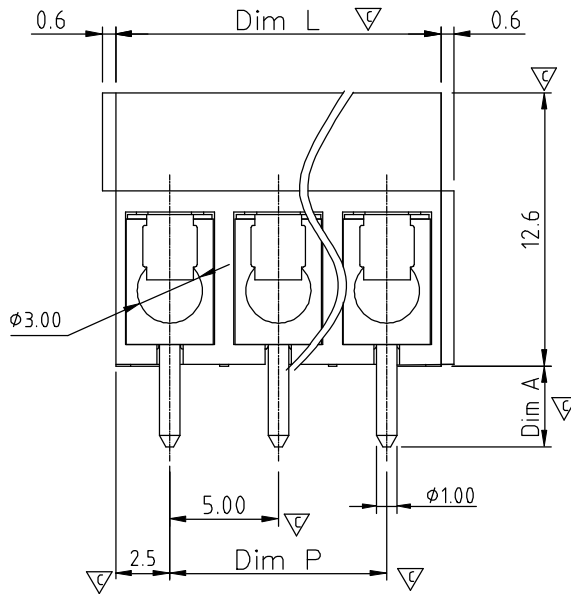
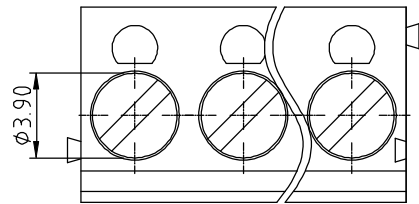
- (a) Terminal body : Brass(CuZn) , Tin plated
- (b) Terminal screw: Steel Zinc plating "-" slot type
- (c) Wire guard: Stainless steel
- (d) Terminal housing: Thermoplastic (UL94V-0)

- △△ Electrical UL/CSA/VDE
 - Voltage rating: 250VAC/250VAC/250VAC
 - Current rating: 16A/16A/16A
 - △ ● Wire range: 0.5-2.5mm²
 - △ ● Solid wire(AWG): 14-26/14-22
 - △ ● Stranded wire(AWG): 14-26/14-22
 - △ ● Torque: 2.6Lb-In/3.5kgf.cm/0.5Nm
 - Screw: M3
 - Wire strip length: 6-7mm
 - Withstanding Voltage: 1.5KV/1.5KV/2KV
 - △ ● Operating temperature: -40°C to +115°C
 - △ ● Soldering temperature: 260°C±5°C/5 Sec
 - △ ● SAFETY APPROVAL DETA:
 - Critical dimension: ▽

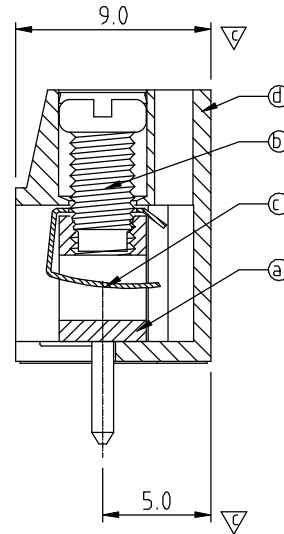
TA xx 00 x x xxxx G

02 2 POLES	Color	Dim A	RoHS compliant (lead<4%) In copper Alloy
03 3 POLES	0 Black (RAL9005)	0 4.4mm	0000 Standard @ Logo
...	2 Red (RAL3001/D)	1 3.8mm	000A Standard ANY Logo
24 24 POLES	3 Orange(RAL2011/P)	2 3.5mm	Any special item by customer request, please contact sales department.
	4 Yellow(RAL1018/A)		
	5 Green(RAL6018/T)		
	6 Blue (RAL5015/A)		
	8 Grey(RAL7035/D)		
	C Green(RAL6018/U)		

ANYTEK		CUSTOMER COPY	
ALL RIGHTS RESERVED. REPRODUCTION OR ISSUE TO THIRD PARTIES IN ANY FORM WHATSOEVER IS NOT PERMITTED WITHOUT WRITTEN AUTHORITY FROM THE PROPRIETOR. PROPERTY OF ANYTEK TECHNOLOGY CO., LTD			
TITLE	TA - 5.0mm series "+/-"		
PART NO.	TAXx00xxxxxxG	DWG NO.	8TA0001
APPROVED	CHECKED	DESIGNED	DRAWN
		Guoxue 2013.12.03	Guoxue 2013.12.03
SHEET: 01/01		Tolerance	
		UNIT: mm	X. ±0.50
		SCALE: NONE	X.X ±0.30
		REV.: G	X.XX ±0.10
			X° ±1°



RECOMMENDED PCB LAYOUT
TOP VIEW



N = Number of poles
Dim L = N x 5.0
Dim P = (N - 1) x 5.0

	Dim L	Dim P
2-6p	±0.15	±0.10
7-12p	±0.20	±0.20
13-18p	±0.30	±0.25
19-24p	±0.40	±0.30

SIGN	DATE	DESCRIPTION	APPROVER
△	12.01'09	Wire range changed from 1.0-2.5mm ² to 0.5-2.5mm ²	Kind
△	12.01'09	Operating Tem. changed from -30°~105° to -40°~115°	Kind
△	05/18'10	Solid wire changed from 14-22 to 14-26	Tason
△	05/18'10	Stranded wire changed from 14-22 to 14-26	Tason
△	05/18'10	Torque changed from 2.6Lb-In/0.6Nm to 2.6Lb-In/0.5Nm	Tason
△	02/21'13	update the drawing	Guoxue
△	02/21'13	update the drawing	Guoxue
△	11/28'13	update the drawing	Guoxue

THIS IS CAD DRAWING, DO NOT REVISE MANUALLY!!!

Material

- (a) Terminal body : Brass(CuZn) , Tin plated
- (b) Terminal screw: Steel Zinc plating "-" slot type
- (c) Wire guard: Stainless steel
- (d) Terminal housing: Thermoplastic (UL94V-0)

△ Electrical UL/CSA/VDE

- Voltage rating: 250VAC/250VAC/250VAC
- Current rating: 16A/16A/16A
- △ ● Wire range: 0.5-2.5mm²
- Solid wire(AWG): 14-26/14-22
- △ ● Stranded wire(AWG): 14-26/14-22
- △ ● Torque: 2.6Lb-In/3.5kgf.cm/0.5Nm
- Screw: M3

- Wire strip length: 6-7mm
- Withstanding Voltage: 1.5KV/1.5KV/2KV
- △ ● Operating temperature: -40°C to +115°C
- △ ● Soldering temperature: 260°C±5°C/5 Sec

- △ ● SAFETY APPROVAL DATA: G RoHS compliant (lead<4%) In copper Alloy
- Critical dimension: ▽

△△ TA xx 01 x x xxxx G

	Color	Dim A	
02 2 POLES	0 Black (RAL9005)	0 4.4mm	0000 Standard @ Logo
03 3 POLES	2 Red (RAL3001/D)	1 3.8mm	000A Standard ANY Logo
...	3 Orange(RAL2011/P)	2 3.5mm	Any special item by
24 24 POLES	4 Yellow(RAL1018/A)		customer request,
	5 Green(RAL6018/T)		please contact sales
	6 Blue (RAL5015/A)		department.
	8 Grey(RAL7035/D)		
	C Green(RAL6018/U)		

ANYTEK				CUSTOMER COPY					
								ALL RIGHTS RESERVED. REPRODUCTION OR ISSUE TO THIRD PARTIES IN ANY FORM WHATSOEVER IS NOT PERMITTED WITHOUT WRITTEN AUTHORITY FROM THE PROPRIETOR. PROPERTY OF ANYTEK TECHNOLOGY CO., LTD	
TITLE		TA - 5.0mm series "-"							
PART NO.		TAXX01xxxxxxG			DWG NO.		8TA0011		
APPROVED		CHECKED		DESIGNED		DRAWN		CUST NO.	
				Guoxue 2013.12.03		Guoxue 2013.12.03		Tolerance	
								UNIT: mm	
						SHEET: 01/01		SCALE: NONE	
						REV.: F		X. ±0.50	
								X.X ±0.30	
								X.XX ±0.10	
								X° ±1°	

X-ON Electronics

Largest Supplier of Electrical and Electronic Components

Click to view similar products for [Fixed Terminal Blocks](#) category:

Click to view products by [Amphenol](#) manufacturer:

Other Similar products are found below :

[MBE-1512](#) [MBE-1520](#) [MBE-154](#) [MBE-156](#) [MBES-156](#) [MH-2512](#) [MHE-132](#) [MHE-163](#) [MI-254 \(35\)](#) [MI-272](#) [MPT-275](#) [ELM10110G](#)
[BA311TU](#) [BA411SU](#) [MV-253/NCNOC](#) [MV-254-D](#) [MV-255](#) [MV-493](#) [MVE-252](#) [MVE-253](#) [MVE-273](#) [MVEB-153](#) [1700096](#) [1705142](#)
[1712417](#) [1713088](#) [1745195](#) [1760594](#) [1-796689-8](#) [1-796692-6](#) [1800114](#) [20020314-C121B01LF](#) [20020316-G041B01LF](#) [KP03215000J0G](#)
[KP04215000J0G](#) [S451](#) [29.007](#) [29.116](#) [30.103](#) [30.106](#) [30.503](#) [30.608](#) [30.755](#) [30.756](#) [30.853](#) [9872-0-00-15-00-00-33-0](#) [996750](#) [1706303](#)
[1710052](#) [1712418](#)