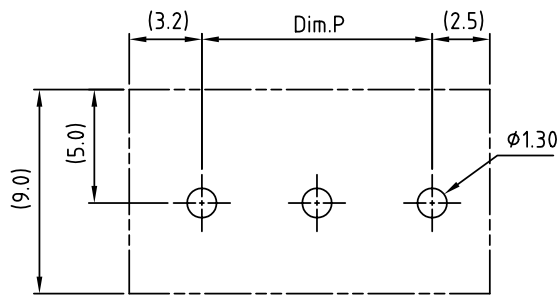
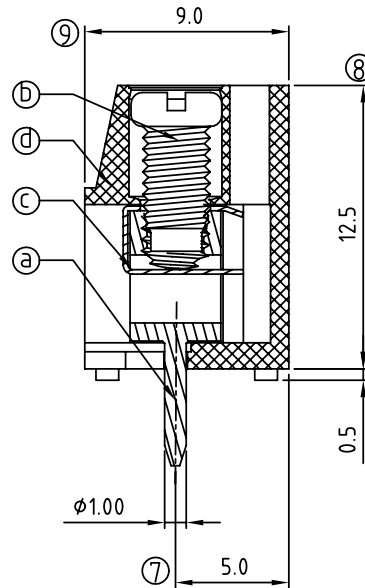
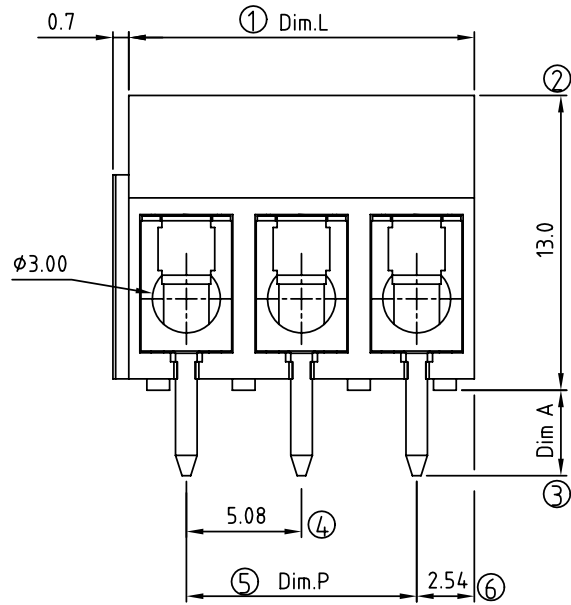
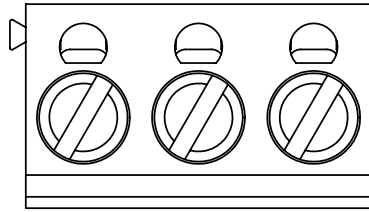


SIGN	DATE	DESCRIPTION	APPROVER
△	02.08'06	Standard spec is changed.	Marivn
△	10.15'09	The Safety Approval cULus Passed	Kind
THIS IS CAD DRAWING, DO NOT REVISE MANUALLY!!!			



RECOMMENDED PCB LAYOUT

N = Number of poles  
 Dim L = N x 5.08  
 Dim P = (N - 1) x 5.08

	Dim L	Dim P
2-6p	±0.20	±0.15
7-12p	±0.25	±0.20
13-18p	±0.30	±0.25
19-24p	±0.40	±0.30

Material

- ⓐ Terminal body: Brass(CuZn) Tin plated
- ⓑ Terminal screw: Steel Zinc plating "-" slot type
- ⓒ Wire guard: Stainless steel
- ⓓ Terminal housing: Thermoplastic (UL94V-0)

△ Electrical cULus

- Voltage rating: 300VAC
- Current rating: 15A
- Wire range:
- Solid wire(AWG): 14-22
- Stranded wire(AWG): 14-22
- Torque(Lb-In): 3.5
- Screw: M3
- Wire strip length: 6-7mm
- Withstanding Voltage: 1.6KV
- Operating temperature: -40°C to +115°C
- Soldering temperature: 250°C ± 10°C / 5 Sec

△ Safety Approval:



TA xx 41 x x 0000 G

02 2 CONTACTS	0 Black	Dim A	RoHS
03 3 CONTACTS	5 Green	1 3.8mm	Pb<40,000ppm
... ..	6 Blue	2 3.5mm	
24 24 CONTACTS	8 Grey	3 4.0mm	

**ANYTEK**

**CUSTOMER COPY**

ALL RIGHTS RESERVED. REPRODUCTION OR ISSUE TO THIRD PARTIES IN ANY FORM WHATSOEVER IS NOT PERMITTED WITHOUT WRITTEN AUTHORITY FROM THE PROPRIETOR. PROPERTY OF ANYTEK TECHNOLOGY CO., LTD

TITLE		TA - 5.08mm series one interlock		
PART NO.	TAxx41xx0000G	DWG NO.	8TA0205	
APPROVED	CHECKED	DESIGNED	DRAWN	CUST NO.
		Kind 2009.10.15	Marvin 2006.02.08	
				Tolerance
				X. ±0.50
				X.X ±0.30
				X.XX ±0.10
				X° ±1°
SHEET: 01/01		UNIT: mm SCALE: NONE REV.: D		

## X-ON Electronics

Largest Supplier of Electrical and Electronic Components

*Click to view similar products for [Fixed Terminal Blocks](#) category:*

*Click to view products by [Amphenol](#) manufacturer:*

Other Similar products are found below :

[MBE-1512](#) [MBE-154](#) [MBE-156](#) [MBES-153](#) [MBES-156](#) [MH-2512](#) [MHE-132](#) [MHE-163](#) [MI-254 \(35\)](#) [MI-272](#) [880507](#) [MPT-275](#)  
[15602-04-08-21](#) [BA311TU](#) [BA411SU](#) [MV-152](#) [MV-252-D](#) [MV-253/NCNOC](#) [MV-254-D](#) [MV-255](#) [MV-462](#) [MV-493](#) [MVE-252](#) [MVE-253](#)  
[MVE-273](#) [MVEB-153](#) [1700096](#) [1705142](#) [1745195](#) [1760594](#) [1776118-2](#) [1-796689-8](#) [1-796692-6](#) [20020314-C121B01LF](#) [CB2-12](#)  
[KP03215000J0G](#) [KP04215000J0G](#) [S451](#) [282802-2](#) [29.007](#) [29.116](#) [30.103](#) [30.106](#) [30.252](#) [30.503](#) [30.608](#) [30.753](#) [30.755](#) [30.756](#) [30.853](#)