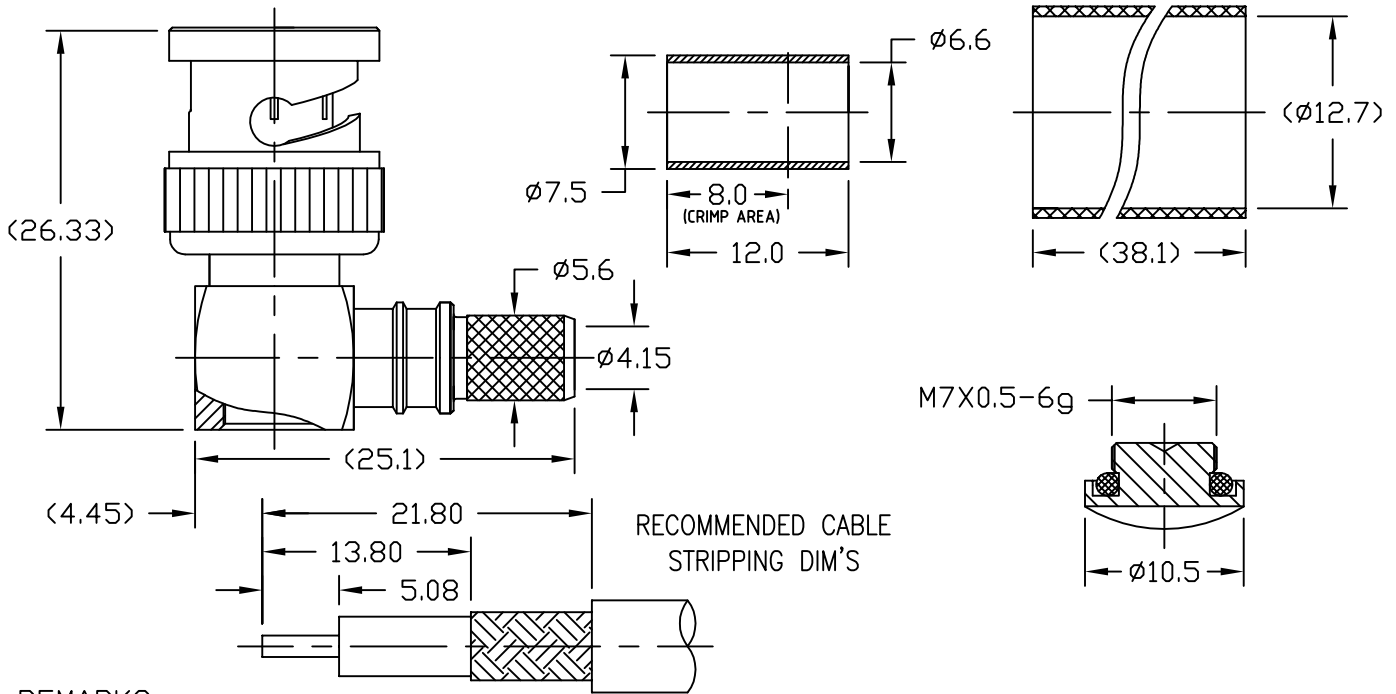


**NOTICE OF PROPRIETARY RIGHTS** THIS DOCUMENT CONTAINS CONFIDENTIAL TECHNICAL DATA, INCLUDING TRADE SECRETS, PROPRIETARY TO TIMES MICROWAVE SYSTEMS. DISCLOSURE OF THIS DATA IS EXPRESSLY CONDITIONED UPON YOUR ASSENT THAT ITS USE IS LIMITED TO USE WITHIN YOUR COMPANY ONLY. ANY OTHER USE IS STRICTLY PROHIBITED WITHOUT THE PRIOR WRITTEN CONSENT OF TIMES MICROWAVE SYSTEMS.

SYM	REVISION DESCRIPTION	DFTM	DATE	APPD	DATE
A	RELEASED FOR PRODUCTION	N. N. N	6/13/13	J. D. B.	6/26/13
B	CHANGED PER CDC #38712	N. N. N	10/23/13	J. D. B.	10/24/14
C	CHANGED PER CDC #39366	N. N. N	2/26/14	J. D. B.	2/27/14
D	CHANGED PER CDC #39406	N. N. N	3/4/14	J. D. B.	3/12/14
E	CHANGED PER CDC #48617	D. J. H.	3/12/18	D. A. R.	3/14/18



**REMARKS:**

- CONTACT PIN IS SOLDERED.
- CRIMP FERRULE HEX. SIZE: .255"

ELECTRICAL CHARACTERISTICS	
Impedance	50 Ω
Voltage rating	500 V(rms)
Frequency range	0 ~ 6 GHz
Dielectric withstanding voltage	>1500 V
Contact resistance	Center contact
	Outer contact
Insulation resistance	>5000 MΩ
Insertion loss	N/A
RF- leakage	N/A
VSWR	<1.35
3rd Intermodulation	N/A

MATERIALS AND PLATING		UNIT: MICRO-INCHES
BODY	BRASS C3604	ALBALOY 80u"/COPPER
CONTACT PIN	BRASS C3604	GOLD 50u"MIN/NICKEL/COPPER
INSULATOR	PTFE ASTM-D-1710	N/A
FERRULE	BRASS	ALBALOY 80u"/COPPER

MECHANICAL CHARACTERISTICS	
Cable retention force	N/A
Center contact retention force	>6 lbs
Coupling proof torque	N/A
Coupling nut retention force	>100 lbs
Durability	≥ 500 cycles

ENVIRONMENTAL CHARACTERISTICS	
Temperature range	-65°C~+165°C

MATL: SEE ABOVE	UNLESS OTHERWISE SPECIFIED	DFTM. N. N. N	TIMES MICROWAVE SYSTEMS				
	ALL DIMENSIONS ARE IN mm	DATE 6/13/13					
USED ON:	UNLESS OTHERWISE SPECIFIED: 1) EDGES C0.15 MAX; 2) REMOVE ALL BURRS; 3) SURFACE ROUGHNESS Ra1.6; 4) UNITS mm; 5) DIMENSIONS TOLERANCES DECIMALS ANGLES .x ±0.3 ±20° .xx ±0.2	CHKD. J. D. B.	<b>TC-240-BM-RA-D</b> 90° BNCM for LMR-240				
		DATE 6/26/13					
		APPD. J. D. B.					
SCALE: ~	DWG. SIZE A	DO NOT SCALE DRAWING	CODE IDENT 68999	DATE 6/26/13	SHEET 1 of 1	SD3190-2869	REV E

## X-ON Electronics

Largest Supplier of Electrical and Electronic Components

*Click to view similar products for [RF Connectors / Coaxial Connectors](#) category:*

*Click to view products by [Amphenol](#) manufacturer:*

Other Similar products are found below :

[8915-1511-000](#) [89674-0827](#) [6001-7071-019](#) [6002-7051-003](#) [6002-7551-202](#) [6059674-1](#) [619550-1](#) [630059-000](#) [M39030/3-01N](#) [M3933/25-36N](#) [6500-7071-046](#) [6769](#) [CX050L2AQ](#) [7002-1542-011](#) [7004-1512-000](#) [7009-1511-004](#) [7010-1511-000](#) [7029-1511-060](#) [7101-1541-010](#) [7101-1571-002](#) [7105-1521-002](#) [7145-1521-002](#) [7203-1571-003](#) [7209-1511-011](#) [7210-1511-015](#) [7210-1511-019](#) [73137-5015](#) [73216-2241](#) [7325-1512-000](#) [73404-2300](#) [7405-1521-005](#) [7405-1521-802](#) [7406-1521-005](#) [8527](#) [8547](#) [FS11V](#) [8808-1511-001](#) [9049-9513-000](#) [9074-9513-000](#) [9101-9573-002](#) [910A205F](#) [9130-9573-002](#) [PL11SC-026](#) [PL375-33](#) [PL40-5](#) [PL71-9](#) [PL74C-221](#) [PL75MC-217](#) [PL803-7](#) [980-8666-005](#)