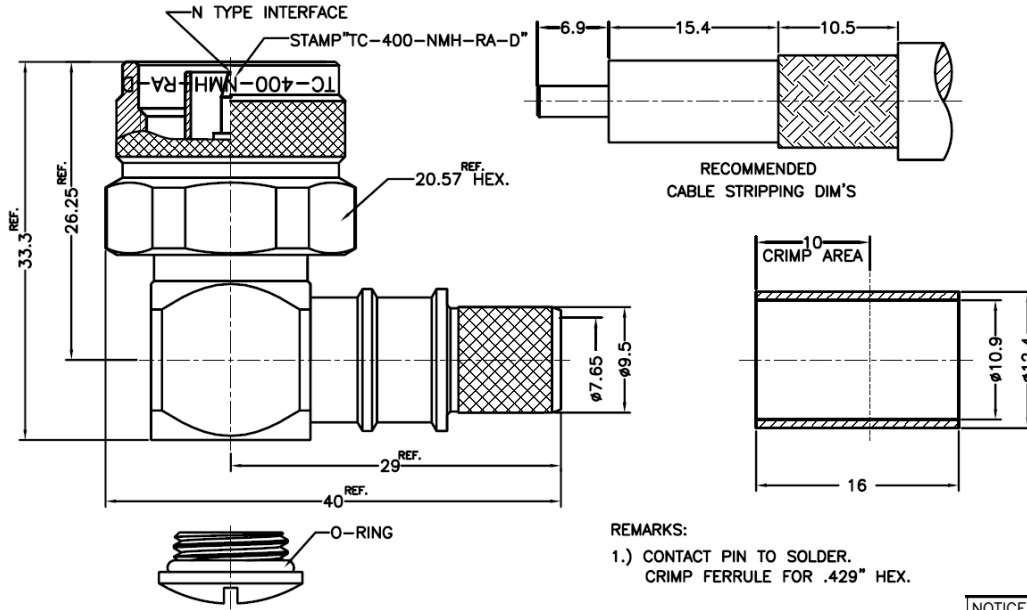


NOTICE OF PROPRIETARY RIGHTS THIS DOCUMENT CONTAINS CONFIDENTIAL TECHNICAL DATA, INCLUDING TRADE SECRETS, PROPRIETARY TO TIMES MICROWAVE SYSTEMS. DISCLOSURE OF THIS DATA IS EXPRESSLY CONDITIONED UPON YOUR ASSENT THAT ITS USE IS LIMITED TO USE WITHIN YOUR COMPANY ONLY. ANY OTHER USE IS STRICTLY PROHIBITED WITHOUT THE PRIOR WRITTEN CONSENT OF TIMES MICROWAVE SYSTEMS.

SYM	REVISION DESCRIPTION	DFTM	DATE	APPD	DATE
A	RELEASED FOR PRODUCTION	D. J. H.	5/30/07	J. D. B.	5/30/07
B	CHANGED PER CDC #27394	D. J. H.	10/2/07	J. D. B.	10/2/07
C	CHANGED PER CDC #27653	D. J. H.	12/6/07	J. D. B.	12/10/07
D	CHANGED PER CDC #28404	D. J. H.	5/27/08	J. D. B.	5/27/08

THIS CONNECTOR IS INDIVIDUALLY PACKAGED. FOR BULK PACKAGING, SEE 3190-2293BLK.



REMARKS:
1.) CONTACT PIN TO SOLDER.
CRIMP FERRULE FOR .429" HEX.

NOTICE: ALL PARTS MUST MEET TO RoHS REQUIREMENTS

MATERIALS AND PLATING UNIT: MICRO-INCHES		
BODY, SHELL	BRASS C3604	ALBALOY (COPPER-TIN-ZINC) PL.80 MIN.
CONTACT PIN	BRASS C3604	GOLD 50/ COPPER
INSULATOR	TEFLON MIL-P-19468	RED
FERRULE	COPPER	ALBALOY (COPPER-TIN-ZINC) PL.80 MIN.
GASKET	SILICONE	RED

ELECTRICAL CHARACTERISTICS	
Impedance	50 Ω
Voltage rating	1000V(rms)
Frequency range	0~11GHz
Dielectric withstanding voltage	1500V
Contact resistance	Center contact: ≤1mΩ Outer contact ≤0.25mΩ
Insulation resistance	≥5000MΩ
Insertion loss	According as the cable
RF-leakage	-90 dB up to 3 GHz
VSWR	≤1.25 (DC-2.5GHz)
3rd Intermodulation	-

(MECHANICAL CHARACTERISTICS)	
Force to engage and disengage	6 lbs MAX.
Center contact retention force	6 lbs MIN.
Coupling torque	30 in-lbs MIN.
Coupling nut retention force	100 lbs MIN.
Durability	≥ 500 cycles

ENVIRONMENTAL CHARACTERISTICS	
Temperature range	-55° C - +155° C
Thermal shock	US MIL- STD 202, Meth. 107, Cond. B
Vibration	US MIL- STD 202, Meth. 204, Cond. B
Shock	US MIL- STD 202, Meth. 213, Cond. I
Climatic class	IEC 60068 65/165/21

MATERIAL: UNLESS OTHERWISE SPECIFIED	DFTM. D. J. H.	TIMES MICROWAVE SYSTEMS						
	DATE 5/30/07							
USED ON: 0	ALL DIMENSIONS ARE IN INCHES MACHINED SURFACES FINISH N/A RMS MAX. REMOVE ALL BURRS .005 MAX. BREAK MACHINE CORNERS .005 MAX. FILLET R. TOLERANCES ON DECIMALS .XX ± 0.2 .XXX ± 0.1 ANGLES ± 3° FRACTIONS ± N/A	TC-400-NMH-RA-D 90° N MALE (INDIVIDUALLY PACKAGED) FOR LMR400 CABLE						
	CHKD. J. D. B.							
	DATE 5/30/07							
SCALE: N/A	DWG. SIZE A	DO NOT SCALE DRAWING	CODE IDENT 68999	DATE 5/30/07	APPD. J. D. B.	1 of 1	SD3190-2293	REV. D

X-ON Electronics

Largest Supplier of Electrical and Electronic Components

Click to view similar products for [Circular MIL Spec Connector](#) category:

Click to view products by [Amphenol](#) manufacturer:

Other Similar products are found below :

[0025-262-542](#) [0025-264-3014](#) [58-570121-04S](#) [0134-202-1200](#) [0134-207-1206](#) [0134-207-1800](#) [0134-207-2207](#) [0134-213-0806](#) [0134-213-1007](#) [0134-213-1009](#) [0134-213-1208](#) [0134-213-1800](#) [0134-213-2209](#) [0025-258-000](#) [015-9516-002](#) [60-042722-19P](#) [0114-201-1278](#) [602GB06EG24-61SN](#) [0134-201-1207](#) [0134-201-1806](#) [0134-201-2006](#) [0134-201-2007](#) [0134-201-2010](#) [0134-202-1400](#) [0134-207-0809](#) [0134-207-1208](#) [0134-207-2009](#) [0134-213-1006](#) [6104-207-2302](#) [6104-208-1902](#) [6131-202-19149P](#) [6131-204-21149P](#) [6131-207-13149P](#) [6131-208-13149P](#) [6131-209-17149P](#) [6131-210-11149P](#) [6131-211-19149P](#) [6131-216-19149P](#) [6131-220-25149P](#) [6131-259-11149P](#) [6131-259-21149P](#) [6131-259-23149P](#) [6131-263-19149P](#) [6131-265-17149P](#) [6131-265-19149P](#) [CS3102A-20-15P](#) [CS3102A-20-15S](#) [CS3102C18-4P-472](#) [CS3106A-20-29P](#) [CS3106A-20-74P](#)