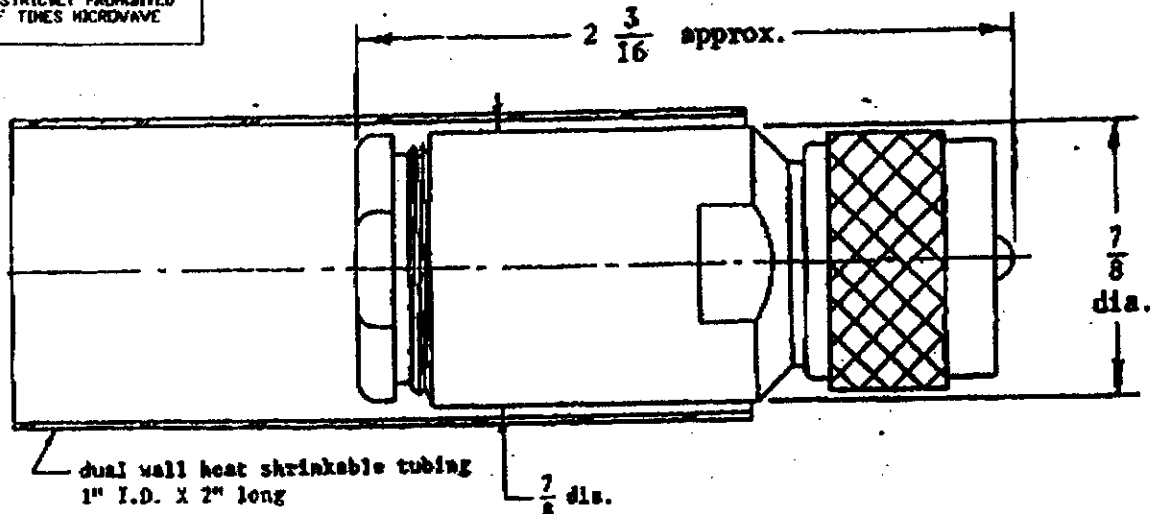


NOTICE OF PROPRIETARY RIGHTS

THIS DOCUMENT CONTAINS CONFIDENTIAL TECHNICAL DATA, INCLUDING TRADE SECRETS, PROPRIETARY TO TIMES MICROWAVE SYSTEMS. DISCLOSURE OF THIS DATA IS EXPRESSLY CONDITIONED UPON YOUR ASSENT THAT ITS USE IS LIMITED TO USE WITHIN YOUR COMPANY ONLY. ANY OTHER USE IS STRICTLY PROHIBITED WITHOUT THE PRIOR WRITTEN CONSENT OF TIMES MICROWAVE SYSTEMS.

SUB	REVISION DESCRIPTION	BY	DATE	APPD	DATE
A	RELEASED FOR PRODUCTION	JP	09/7/95	RA	09/7/95



Series: UHF

Group: Plug, straight

Cable: Times LMR-500 and Times T-DM-500

Materials:

- Center Contact: brass per QQ-B-626, comp. 360
- Other Metal Parts: brass per QQ-B-626, comp. 360
- Insulators: Teflon per L-P-400
- Contacts: silicone rubber per ZZ-R-765
- Heat Shrink Tubing: dual-wall polyolefin per MIL-I-23853/4

Engineering Data:

- Nominal Impedance: non-constant
- Frequency Range: DC to 500 MHz max.
- Temperature Range: -65C to +165C
- Voltage: 500 volts peak

Finishes:

- Center Contacts: gold plate per MIL-G-45204, type I, grade C (0.00005" min. thk.) over copper plate per MIL-C-14950, (0.0001-.0002" thk.)
- Other Metal Parts: silver plate per QQ-S-365a, type II, grade A (0.0002" min. thk.)

DRAFTSMAN	J. PRETA	9/7/95	TIMES MICROWAVE SYSTEMS 358 HALL AVENUE PO BOX 5839 WALLINGFORD CT 06492-5039		
CHECKER			TITLE TC500-UMC		
APPROVED			DESC. UHF-PLUG, FOR LMR-500		
UNLESS OTHERWISE SPECIFIED			CODE IDENT.	DWG. NO.	REV.
TOLERANCES ON DECIMALS .XX ± .XX ± ANGLES ± FRACTIONS ±			68999	3190-354	A
DO NOT SCALE DRAWING			SCALE NONE	SHEET 1 OF 1	

13-1330 10:20AM FRUN

X-ON Electronics

Largest Supplier of Electrical and Electronic Components

Click to view similar products for [RF Connectors / Coaxial Connectors](#) category:

Click to view products by [Amphenol](#) manufacturer:

Other Similar products are found below :

[8915-1511-000](#) [89674-0827](#) [6001-7071-019](#) [6002-7051-003](#) [6002-7551-202](#) [6059674-1](#) [619550-1](#) [630059-000](#) [M39030/3-01N](#) [M3933/25-36N](#) [6500-7071-046](#) [6769](#) [CX050L2AQ](#) [7002-1542-011](#) [7004-1512-000](#) [7009-1511-004](#) [7010-1511-000](#) [7029-1511-060](#) [7101-1541-010](#) [7101-1571-002](#) [7105-1521-002](#) [7145-1521-002](#) [7203-1571-003](#) [7209-1511-011](#) [7210-1511-015](#) [7210-1511-019](#) [73137-5015](#) [73216-2241](#) [7325-1512-000](#) [73404-2300](#) [7405-1521-005](#) [7405-1521-802](#) [7406-1521-005](#) [8527](#) [8547](#) [FS11V](#) [8808-1511-001](#) [9049-9513-000](#) [9074-9513-000](#) [9101-9573-002](#) [910A205F](#) [9130-9573-002](#) [PL11SC-026](#) [PL375-33](#) [PL40-5](#) [PL71-9](#) [PL74C-221](#) [PL75MC-217](#) [PL803-7](#) [980-8666-005](#)