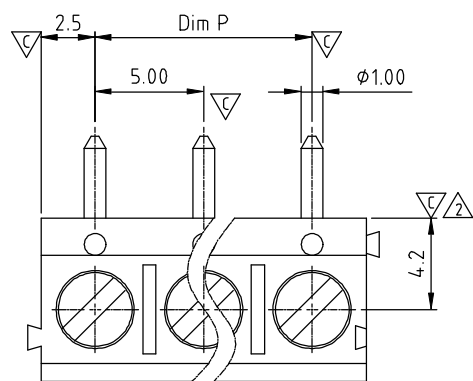


SIGN	DATE	DESCRIPTION	APPROVER
△	5/8'10	Add the tolerance table	Tason
△	5/8'10	Add the dimensions	Tason
△	03/14'14	Add the "TUV"	Guoxue
△	03/14'14	Update the drawing	Guoxue

*THIS IS CAD DRAWING, DO NOT REVISE MANUALLY!!!*



DIMENSION

Dim L	N×5.0
Dim P	(N-1)×5.0

N=Number of poles

Poles	DIM P	DIM L
2p-6p	±0.15	±0.20
7p-12p	±0.20	±0.25
13p-18p	±0.25	±0.35
19p-24p	±0.35	±0.40

**Material**

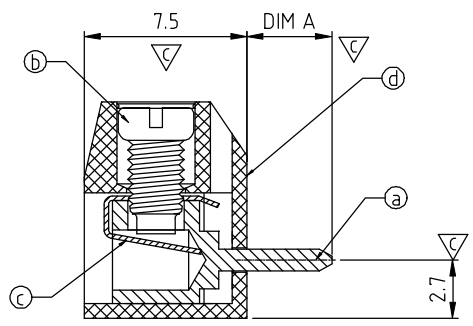
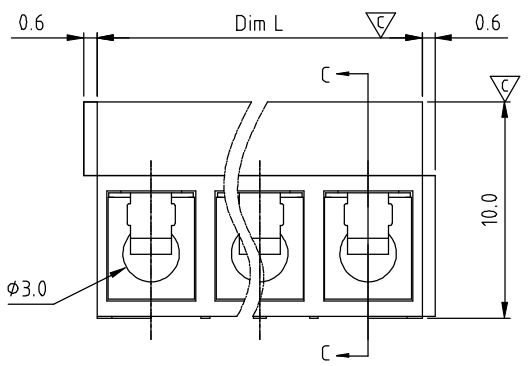
- Item ① Terminal body(metal housing): Brass(CuZn),Tin plated
- Item ② Terminal screw: Steel Zinc plating "--" slot type
- Item ③ Wire guard :stainless steel
- Item ④ Insulator (housing): Thermoplastic (UL94V-0)

△ Electrical cULus / TUV

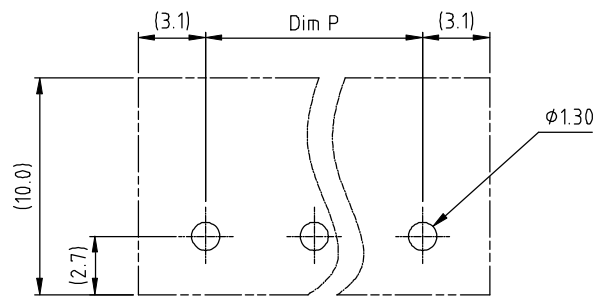
- Voltage rating: 250V/130V
- Current rating: 16A/17.5A
- Wire range: 0.5~1.5mm<sup>2</sup>
- Solid wire(AWG): 14
- Stranded wire(AWG): 16
- Torque(Lb-In): 2.6 / 2.6
- Screw: M2.6
- Wire strip length: 5-6mm
- Withstanding Voltage: 1.5KV/1.25KV
- Operating temperature: -40°C to +115°C
- △ ● Soldering temperature: 260°C±5°C/5 Sec
- △ ● Safety Approval:
- Critical dimension:

△ TD xx 0 1 x x xxxx G

End Stackable	Color	DIM A Length	000 0 @ logo
02 02 POLES	0 Black (RAL9005)	0 4.4mm	000 A ANY logo
03 03 POLES	2 Red (RAL3001/D)	1 3.8mm	Any special item by customer request,
...	3 Orange(RAL2011/P)	2 3.5mm	please contact sales department.
24 24 POLES	4 Yellow(RAL1018/A)		
	5 Green(RAL6018/T)		
	6 Blue (RAL5015/A)		
	8 Grey(RAL 7035/D)		
	C Green(RAL6018/U)		



SECTION C-C



RECOMMENDED PCB LAYOUT

<b>ANYTEK</b>		<b>CUSTOMER COPY</b>	
ALL RIGHTS RESERVED. REPRODUCTION OR ISSUE TO THIRD PARTIES IN ANY FORM WHATSOEVER IS NOT PERMITTED WITHOUT WRITTEN AUTHORITY FROM THE PROPRIETOR. PROPERTY OF ANYTEK TECHNOLOGY CO., LTD			
TITLE	TD-5.0mm series 2p-24p "--"		
PART NO.	TDxx01xxxxxG	DWG NO.	8TD0013
APPROVED	CHECKED	DESIGNED	DRAWN
		Guoxue 2014.03.17	Guoxue 2014.03.17
SHEET: 01/01		Tolerance	
UNIT: mm		X. ±0.50	
SCALE: NONE		X.X ±0.30	
REV.: C		X.XX ±0.10	
		X° ±1°	

## X-ON Electronics

Largest Supplier of Electrical and Electronic Components

*Click to view similar products for [Fixed Terminal Blocks](#) category:*

*Click to view products by [Amphenol](#) manufacturer:*

Other Similar products are found below :

[MBE-1512](#) [MBE-154](#) [MBE-156](#) [MBES-153](#) [MBES-156](#) [MH-2512](#) [MHE-132](#) [MHE-163](#) [MI-254 \(35\)](#) [MI-272](#) [880507](#) [MPT-275](#)  
[15602-04-08-21](#) [BA311TU](#) [BA411SU](#) [MV-152](#) [MV-252-D](#) [MV-253/NCNOC](#) [MV-254-D](#) [MV-255](#) [MV-462](#) [MV-493](#) [MVE-252](#) [MVE-253](#)  
[MVE-273](#) [MVEB-153](#) [1700096](#) [1705142](#) [1745195](#) [1760594](#) [1776118-2](#) [1-796689-8](#) [1-796692-6](#) [20020314-C121B01LF](#) [CB2-12](#)  
[KP03215000J0G](#) [KP04215000J0G](#) [S451](#) [282802-2](#) [29.007](#) [29.116](#) [30.103](#) [30.106](#) [30.252](#) [30.503](#) [30.608](#) [30.753](#) [30.755](#) [30.756](#) [30.853](#)