

N = Number of poles  
 Dim A = N x 5.08  
 Dim B = (N - 1) x 5.08

|        | Dim A | Dim B |
|--------|-------|-------|
| 2-6p   | ±0.15 | ±0.15 |
| 7-12p  | ±0.20 | ±0.20 |
| 13-18p | ±0.30 | ±0.30 |
| 19-24p | ±0.40 | ±0.40 |

| SIGN | DATE     | DESCRIPTION   | APPROVER |
|------|----------|---|----------|
| △    | 11/28'06 | Electrical changed                                  | Tony     |
| △    | 04/30'09 | Add VDE Standard                                    | Eris     |
| △    | 04/30'09 | The tolerance of dimension is changed               | Eris     |
| △    | 04/30'09 | Temperature changed from -33 ~ 105°C to -40 ~ 115°C | Eris     |
| △    | 09/14'09 | Add chamfer   | Aaron    |
| △    | 09/22'11 | Structure changed                                   | ChenMing |

*THIS IS CAD DRAWING, DO NOT REVISE MANUALLY!!!*

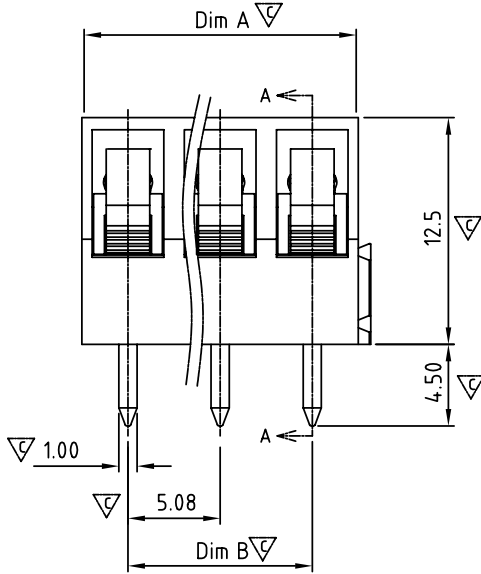
**Material**

- Item ① Clamp: Brass, Ni plated
- Item ② Terminal screw: Steel Zinc plating "-" slot type.
- Item ③ Wire guard solder pin: Brass, Tin plated
- Item ④ Terminal housing: Thermoplastic (UL94V-0)

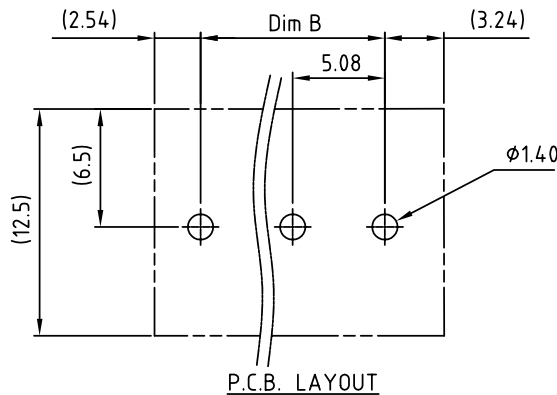
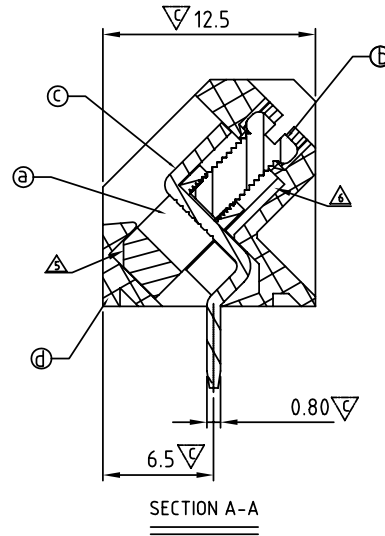
- △ △ Electrical: cULus/VDE
- Voltage rating: 300V/250V
  - Current rating: 15A/10A
  - Wire range: 0.34-4.0mm<sup>2</sup>
  - Solid wire(AWG): 12-24
  - Stranded wire(AWG): 12-24
  - Torque: 3.5 Lb-In / 0.4 N.m
  - Screw: M2.5
  - Wire strip length: 6-7mm
  - Withstanding Voltage: 1.6 KV/2 KV
  - Operating temperature: -40°C to +115°C
  - Soldering temperature: 250°C ± 10°C / 5 Sec
  - Safety Approval:
  - Critical dimension:

**TG xx 51 x x B xxx G**

- |                                   |                     |         |                                       |
|-----------------------------------|---------------------|---------|---------------------------------------|
| No. of poles end stackable design | 0 Black (RAL9005)   | Dim L   | RoHS Pb<40,000ppm                     |
| 02 2 CONTACTS                     | 2 Red (RAL3001/D)   | 0 4.5mm | 0000:"@"Logo (Standard)               |
| 03 3 CONTACTS                     | 3 Orange(RAL2011/P) | 3 3.2mm | 000A:"ANYTEK"Logo                     |
| ...                               | 4 Yellow(RAL1018/A) |         | Any special item by customer request, |
| 24 24 CONTACTS                    | 5 Green(RAL6018/T)  |         | please contact sales department.      |
|                                   | 6 Blue (RAL5015/A)  |         |                                       |
|                                   | 8 Grey(RAL7035/D)   |         |                                       |



N=Number of contacts



**ANYTEK**

**CUSTOMER COPY**

ALL RIGHTS RESERVED. REPRODUCTION OR ISSUE TO THIRD PARTIES IN ANY FORM WHATSOEVER IS NOT PERMITTED WITHOUT WRITTEN AUTHORITY FROM THE PROPRIETOR. PROPERTY OF ANYTEK TECHNOLOGY CO., LTD

|          |         |   |                        |                 |            |
|----------|---------|---|------------------------|-----------------|------------|
| TITLE    |         | TG 5.08 Series 2P-24P Long Interlock type |                        |                 |            |
| PART NO. |         | TGxx51xxBxxxG                             |                        | DWG NO. 8TG0201 |            |
| APPROVED | CHECKED | DESIGNED                                  | DRAWN                  | CUST NO.        |            |
|          |         |   | ChenMing<br>2011.09.22 |                 |            |
|          |         |   |                        | UNIT: mm        | Tolerance  |
|          |         |   |                        | SCALE: NONE     | X. ±0.50   |
|          |         |   |                        | SHEET: 01/01    | X.X ±0.30  |
|          |         |   |                        | REV.: G         | X.XX ±0.10 |
|          |         |   |                        |                 | X° ±1°     |

## X-ON Electronics

Largest Supplier of Electrical and Electronic Components

*Click to view similar products for [Pluggable Terminal Blocks](#) category:*

*Click to view products by [Amphenol](#) manufacturer:*

Other Similar products are found below :

[57.510.0053](#) [MC 1.5/ 6-ST-3.5 GY AU](#) [734-104](#) [734-302](#) [8-141-P](#) [8426620000](#) [860505](#) [860810](#) [GBPACX-12](#) [93.731.4953.0](#) [PV05-5,08-K](#)  
[PVP04-3,50](#) [PVS02-5,00](#) [1-1986160-3](#) [1377680000](#) [1531000000](#) [1546228-5](#) [ELFH16150](#) [ELFP03110](#) [ELFP10210](#) [ELFT06250](#)  
[ELVP03100](#) [1700410](#) [1700425](#) [1702246](#) [1717806](#) [1719600](#) [1734692](#) [1734795](#) [1740291](#) [1752441](#) [1752865](#) [1754144](#) [1760051](#) [1760336](#)  
[1777701](#) [1783410](#) [1800227](#) [1801080](#) [1836888](#) [1848818](#) [1849079](#) [1860870](#) [1876327](#) [1896417](#) [1903096](#) [19346](#) [1946309](#) [1970579](#) [1973592](#)