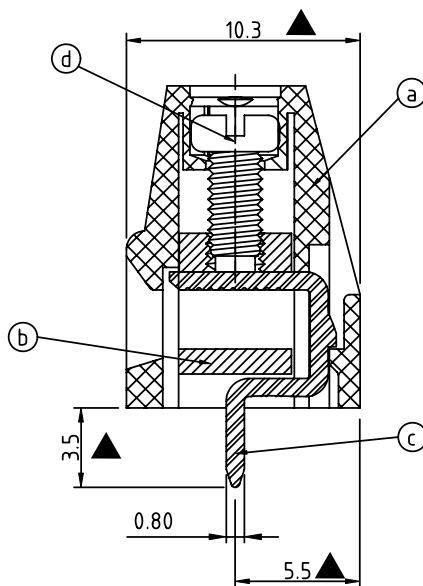
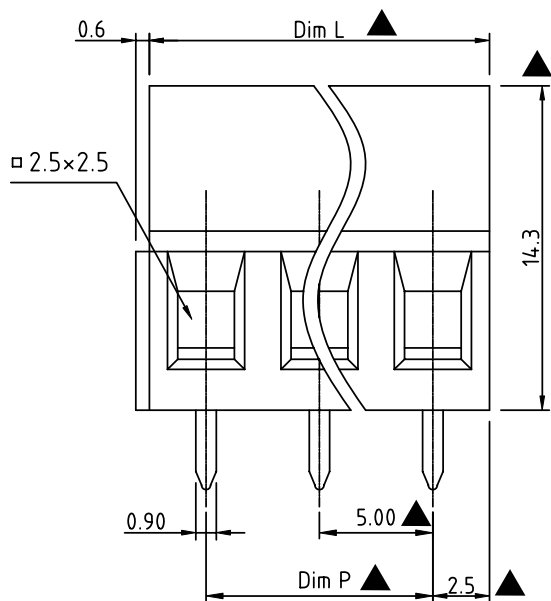


P.C.B LAYOUT  
TOP VIEW



SIGN	DATE	DESCRIPTION	APPROVER
△	01/12'07	Part No. is changed	Tason
△	01/12'07	Soldering temperature changed from 245° to 250°	Tason
△	2/12'09	Operating temperature changed (-40°C to +115°C)	Tony
△	2/12'09	Add "VDE" Safety Approval	Tony
△	8/19'13	update the drawing	Guoxue
△	8/19'13	Current rating is changed from 10A to 16A.	Guoxue
△	8/19'13	Soldering temperature is changed from 250°C ±10°C/5 Sec to 260°C ±5°C/5 Sec	Guoxue
△	8/19'13	Part No is changed	Guoxue
△	5/23'16	Part No is changed	Guoxue

Material: ● Item ① Terminal housing : Thermoplastic (UL94V-0)

● Item ② Clamp : Brass, Ni plated

● Item ③ Wire guard solder pin : Brass, Tin plated.

● Item ④ Terminal screw: Steel Zinc plating "-" slot type

Electrical:	cULus	VDE	CQC
● Voltage rating:	300V	250V	250V
● Current rating:	16A	10A	24A
● Wire range:	0.34-4.0 mm <sup>2</sup>		0.2-2.5 mm <sup>2</sup>
● Solid wire(AWG):	12-22		
● Stranded wire(AWG):	12-22		
● Toque:	3.5Lb-In	0.4 Nm	0.4 Nm
● Screw:	M2.5		
● Wire strip length:	6-7mm		
● Withstanding Voltage:	1.6KV	2KV	2.5KV
● Operating temperature:	-40°C to +115°C		
△ △ ● Soldering temperature:	260°C ±5°C/5 Sec		

△ △ ● Safety Approval:

△ ● Critical dimension:

△ △ TI xx 01 x 0 xxxx G

	COLOR		
02 2 POLES	0 Black (RAL9005)	0000:"@ "Logo (Standard)	G RoHS compliant
03 3 POLES	2 Red (RAL3001/D)	000A:"ANYTEK" Logo	(lead<4%)
...	3 Orange(RAL2011/P)	0091:"ANYTEK" Logo	In copper Alloy
...	4 Yellow(RAL1018/A)	Any special item by	
24 24 POLES	5 Green(RAL6018/T)	customer request,	
	6 Blue (RAL5015/A)	please contact sales department.	
	8 Grey(RAL7035/D)		
	9 White(RAL1102)		
	C Green(RAL6018/U)		

POLE	2	3	4	5	6	7	8	9	10	11	12	
Dim L	10.00	15.00	20.00	25.00	30.00	35.00	40.00	45.00	50.00	55.00	60.00	
Dim P	5.00	10.00	15.00	20.00	25.00	30.00	35.00	40.00	45.00	50.00	55.00	
Tol.	±0.15					±0.20						
POLE	13	14	15	16	17	18	19	20	21	22	23	24
Dim L	65.00	70.00	75.00	80.00	85.00	90.00	95.00	100.00	105.00	110.00	115.00	120.00
Dim P	60.00	65.00	70.00	75.00	80.00	85.00	90.00	95.00	100.00	105.00	110.00	115.00
Tol.	±0.30						±0.40					

**Amphenol**  
**ANYTEK**

**CUSTOMER COPY**

ALL RIGHTS RESERVED. REPRODUCTION OR ISSUE TO THIRD PARTIES IN ANY FORM WHATSOEVER IS NOT PERMITTED WITHOUT WRITTEN AUTHORITY FROM THE PROPRIETOR. PROPERTY OF ANYTEK TECHNOLOGY CO., LTD

TITLE		TI-5.0 series (配YD-5.0端子)		DWG NO.		8TI0003	
PART NO.		TIxx01x0xxxxG		DWG NO.		8TI0003	
APPROVED		CHECKED	DESIGNED	DRAWN	CUST NO.		Tolerance
			Chen Bo	Guoxue			X. ±0.50
			05/23'16	2013.09.24			X.X ±0.30
							X.XX ±0.10
							X° ±1°
					SHEET: 01/01		UNIT: mm
							SCALE: NONE
							REV.: G

## X-ON Electronics

Largest Supplier of Electrical and Electronic Components

*Click to view similar products for [Fixed Terminal Blocks](#) category:*

*Click to view products by [Amphenol](#) manufacturer:*

Other Similar products are found below :

[00175550202](#) [MBE-1512](#) [MBE-1520](#) [MBE-154](#) [MBE-156](#) [MBES-1510](#) [MBES-153](#) [MBES-156](#) [MH-2512](#) [MHE-132](#) [MHE-133](#) [MHE-163](#)  
[MI-254 \(35\)](#) [MI-272](#) [8739](#) [880507](#) [880508](#) [MPT-275](#) [1546551-6](#) [ELM023100](#) [ELM10110G](#) [ELVD12100](#) [BA311TU](#) [BA411SU](#) [MV-152](#)  
[MV-253/NCNOC](#) [MV-254-D](#) [MV-255](#) [MV-462](#) [MV-472](#) [MV-493](#) [MVE-252](#) [MVE-253](#) [MVE-258](#) [MVE-273](#) [MVEB-153](#) [1700096](#)  
[1702246](#) [1705142](#) [1712417](#) [1713020](#) [1713088](#) [1776118-2](#) [1790852](#) [1-796689-8](#) [1-796692-6](#) [1800001](#) [1800114](#) [1823215](#) [1838462](#)