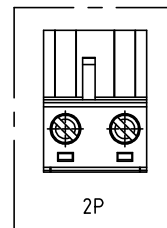
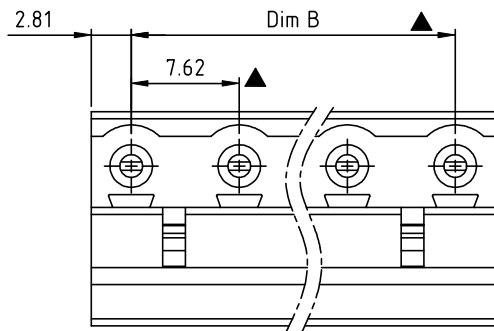


THIS IS CAD DRAWING, DO NOT REVISE MANUALLY!!

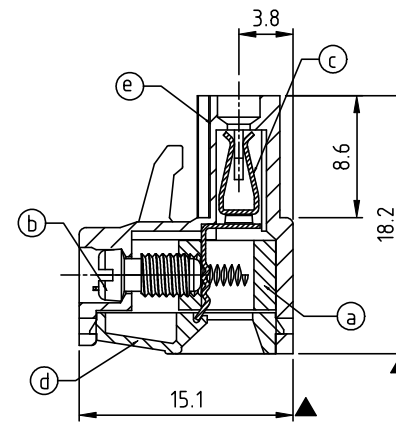
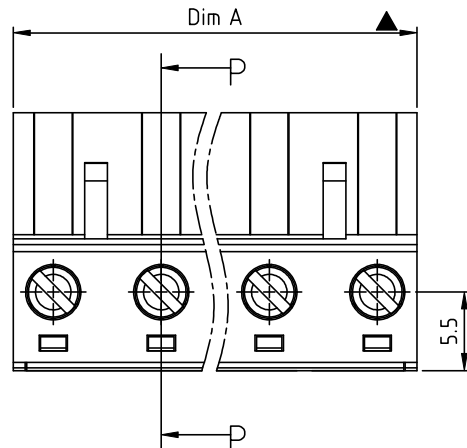
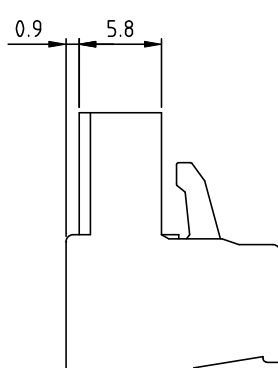


Material

- Item (a) Clamp: Brass(CuZn) Ni plated
- Item (b) Terminal screw: Steel Zinc plating "-" slot type
- Item (c) Female contact: PhBz ,Bright Tin plated over Nickel plated
- Item (d) Terminal Cover: Thermoplastic (UL94V-0)
- Item (e) Terminal housing: Thermoplastic (UL94V-0)

Electrical cULus

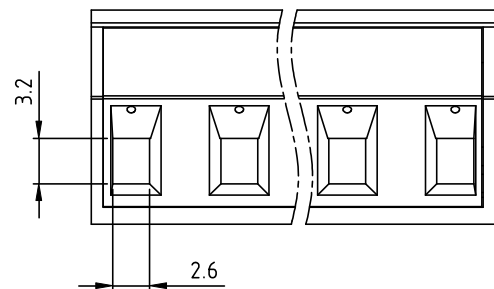
- Voltage rating: 300VAC
- Current rating: 12A
- Wire range:
- Solid wire(AWG): 12-24
- Stranded wire(AWG): 12-24
- Torque: 5Lb-In
- Screw: M3
- Wire strip length: 7-8mm
- Withstanding Voltage: 1.6KV
- Operating temperature: -40°C to +115°C
- Safety Approval:
- Critical dimension: ▲



SECTION P-P

TJ xx 01 x 0 xxxx G

02 2 Poles	0 Black (RAL9005)	G RoHS compliant (lead<4%) In copper Alloy
03 3 Poles	2 Red (RAL3001/D)	
...	3 Orange(RAL2011/P)	0000 Standard @ Logo
16 16 Poles	4 Yellow(RAL1018/A)	000A Standard ANY Logo
	5 Green(RAL6018/T)	0091 Standard ANY Logo
	6 Blue (RAL5015/A)	Any special item by customer request, please contact sales department.
	8 Grey(RAL7035/D)	
	9 White(RAL1102)	
	C Green(RAL6018/U)	



N = Number of poles  
 Dim A=(N-1)X7.62+5.62  
 Dim B=(N-1)x7.62

Poles	Tolerance Dim A/B
2p-6p	±0.15
7p-12p	±0.20
13p-16p	±0.30

<b>Amphenol ANYTEK</b>		<b>CUSTOMER COPY</b>	
ALL RIGHTS RESERVED. REPRODUCTION OR ISSUE TO THIRD PARTIES IN ANY FORM WHATSOEVER IS NOT PERMITTED WITHOUT WRITTEN AUTHORITY FROM THE PROPRIETOR. PROPERTY OF ANYTEK TECHNOLOGY CO., LTD			
TITLE: TJ-7.62mm Series 2P-16P (Without flange)		DWG NO.: 8TJ0401	
PART NO.: TJxx01x0xxxxG		CUST NO.:	
APPROVED:	CHECKED:	DESIGNED:	DRAWN:
		Chen Bo 04/12-21	Chen Bo 04/12-21
		UNIT: mm SCALE: NONE SHEET: 01/01 REV.: G	
		Tolerance X.X ±0.50 X.XX ±0.30 X.XX ±0.10 X° ±1°	

## X-ON Electronics

Largest Supplier of Electrical and Electronic Components

*Click to view similar products for [Pluggable Terminal Blocks](#) category:*

*Click to view products by [Amphenol](#) manufacturer:*

Other Similar products are found below :

[57.510.0053](#) [721-104/026-047](#) [721-204/026-045](#) [MC 1.5/ 6-ST-3.5 GY AU](#) [ET02015000J0G](#) [860505](#) [860516](#) [860810](#) [GBPACX-12](#)  
[93.731.4953.0](#) [PVP03-3,50](#) [PVS02-5,00](#) [1-1986160-3](#) [1377680000](#) [1531000000](#) [1546228-5](#) [ELFP03110](#) [ELFP10210](#) [ELFT07250](#)  
[ELVD12100](#) [ELVF09400](#) [ELXH071G0E](#) [1725220000](#) [1760336](#) [1855000000](#) [19346](#) [1946309](#) [1973592](#) [19892](#) [25.320.4053.1](#) [25.320.4553.9](#)  
[25.320.4753.1](#) [25.320.5453.1](#) [25.340.0353.1](#) [25.340.1053.1](#) [25.345.3553.0M001](#) [25.640.3553.1](#) [SH02-5,08](#) [SH06-3,81](#) [SH08-5,08](#) [SH08-](#)  
[5,08-K](#) [SH12-5,08](#) [SHS04-5,00](#) [30.303](#) [30.305](#) [30.306](#) [PHP09-5,08](#) [25.193.0453.0](#) [25.320.4653.1](#) [25.332.2453.1](#)