


SIGN	DATE	DESCRIPTION	APPROVER
△	11/01'05	Electrical standard changed.	Marvin
△	04/20'06	2p to 6p with wedge is changed.	Marvin
△	06/06'06	2p to 6p with wedge is removed.	Marvin
△	8/13'06	Added VDE standard	梁仁松
△	12/15'08	Flange screw changed from "-" slot type to "+/-" slot type	Kind
△	12/15'08	Operating Temp. changed from -30°C~+105°C to -40°C~+115°C	Kind
△	2010.07.09	The solid and Stranded wire is changed from 16-26 to 16-28	Chen Bo

**THIS IS CAD DRAWING, DO NOT REVISE MANUALLY!!!**

**Material**

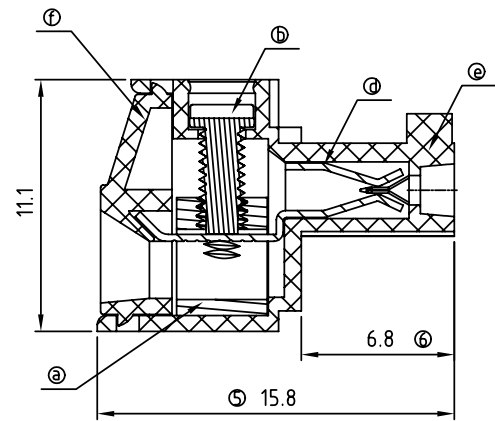
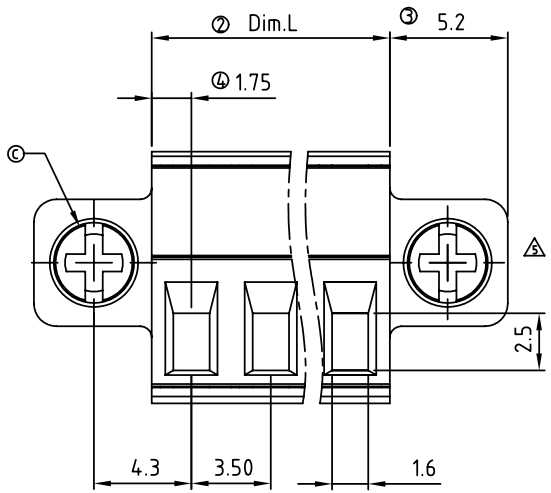
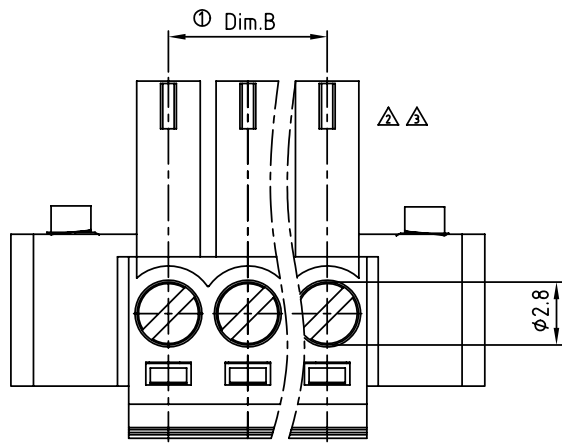
- Item a Clamp: Brass(CuZn) Ni plated
- Item b Terminal screw: Steel Zinc plating "-" slot type
- △ ● Item c With flange screw : steel M2.5 Zinc plating "+/-" slot type
- Item d Female contact: PhBz ,Tin plated
- Item e Terminal (housing): Thermoplastic (UL94V-0)
- Item f Terminal (cover): Thermoplastic (UL94V-0)

△△ Electrical cULus/VDE

- Voltage rating: 300VAC/300VAC
- Current rating: 10A/10.5A
- Wire range: 1.5mm<sup>2</sup>
- Solid wire(AWG): 16-28/16-28
- △ ● Stranded wire(AWG): 16-28/16-28
- Torque: 3.0Lb-In/0.2Nm
- Screw: M2
- Wire strip length: 6-7mm
- Withstanding Voltage: 1.6KV/2.5KV
- △ ● Operating temperature: -40°C to +115°C
- Safety Approval: 

**TJ xx 11 x 2 xxxx G**

02 2 CONTACTS	0 Black (RAL9005)	0000 Standard @ Logo	Pb < 40,000ppm
03 3 CONTACTS	2 Red (RAL3001/D)	000A Standard ANY Logo	(RoHS)
... ..	3 Orange(RAL2011/P)	0091 Standard ANY Logo	
24 24 CONTACTS	4 Yellow(RAL1018/A)	Any special item by customer request, please contact sales department.	
	5 Green(RAL6018/T)		
	6 Blue (RAL5015/A)		
	8 Grey(RAL7035/D)		



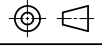
Dim.L = N x 3.5  
 Dim.B = (N-1) x 3.5  
 N= number of poles

poles	2P-6P	7P-12P	13P-18P	19P-24P
Dim.L	±0.15	±0.20	±0.25	±0.30
Dim.B	±0.15	±0.20	±0.25	±0.30

**ANYTEK**

**CUSTOMER COPY**

ALL RIGHTS RESERVED. REPRODUCTION OR ISSUE TO THIRD PARTIES IN ANY FORM WHATSOEVER IS NOT PERMITTED WITHOUT WRITTEN AUTHORITY FROM THE PROPRIETOR. PROPERTY OF ANYTEK TECHNOLOGY CO., LTD

TITLE		TJ-3.5mm Series With flange			
PART NO.	TJxx11x2xxxxG			DWG NO.	8TJ0504
APPROVED	CHECKED	DESIGNED	DRAWN	CUST NO.	
			Chen Bo 2010.07.09		Tolerance
					UNIT: mm
				SCALE: NONE	X.X ±0.30
				SHEET: 01/01	X.XX ±0.10
				REV: I	X° ±1°

## X-ON Electronics

Largest Supplier of Electrical and Electronic Components

*Click to view similar products for [Pluggable Terminal Blocks](#) category:*

*Click to view products by [Amphenol](#) manufacturer:*

Other Similar products are found below :

[57.510.0053](#) [MC 1.5/ 6-ST-3.5 GY AU](#) [734-104](#) [734-302](#) [8-141-P](#) [8426620000](#) [860505](#) [860810](#) [GBPACX-12](#) [93.731.4953.0](#) [PV05-5,08-K](#)  
[PVP04-3,50](#) [PVS02-5,00](#) [1-1986160-3](#) [1377680000](#) [1531000000](#) [1546228-5](#) [ELFH16150](#) [ELFP03110](#) [ELFP10210](#) [ELFT06250](#)  
[ELVP03100](#) [1700410](#) [1700425](#) [1702246](#) [1717806](#) [1719600](#) [1734692](#) [1734795](#) [1740291](#) [1752441](#) [1752865](#) [1754144](#) [1760051](#) [1760336](#)  
[1777701](#) [1783410](#) [1800227](#) [1801080](#) [1836888](#) [1848818](#) [1849079](#) [1860870](#) [1876327](#) [1896417](#) [1903096](#) [19346](#) [1946309](#) [1970579](#) [1973592](#)