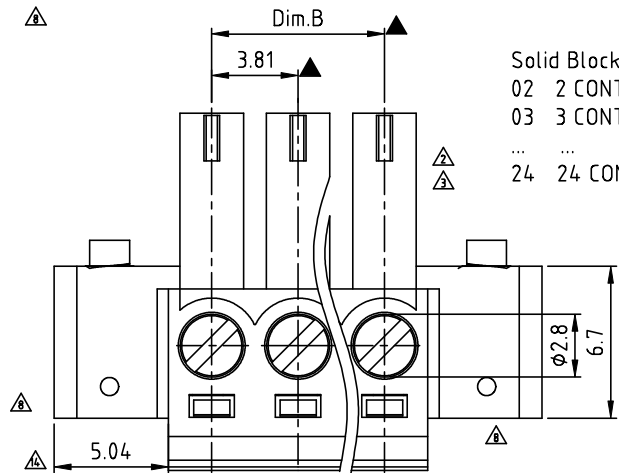


RoHS Compliant



TJ xx 31x 2 xxxx G

Solid Block  
02 2 CONTACTS  
03 3 CONTACTS  
... ..  
24 24 CONTACTS

- 0 Black (RAL9005)
- 2 Red (RAL3001/D)
- 3 Orange(RAL2011/P)
- 4 Yellow(RAL1018/A)
- 5 Green(RAL6018/T)
- 6 Blue (RAL5015/A)
- 8 Grey(RAL7035/D)

G RoHS compliant (lead<4%)  
In copper Alloy  
0000: "@ " Logo  
000A: "ANYTEK" Mark  
0091: "ANYTEK" Mark  
Any special item by customer request.  
please contact sales department.

| REV | SIGN | DATE       | DESCRIPTION   | APPROVER |
|-----|------|------------|---|----------|
| C   | △    | 11/01'05   | Electrical standard changed.  | Marvin   |
| D   | △    | 04/20'06   | 2p to 6p with wedge is changed.   | Marvin   |
| E   | △    | 06/06'06   | 2p to 6p with wedge is removed  | Marvin   |
| F   | △    | 8/13'06    | Added VDE standard  | 梁仁松      |
| G   | △    | 12/15'08   | Flange screw changed from "-"solt type to "+/-"solt type                                  | Kind     |
| H   | △    | 2010.07.12 | The solid and Stranded wire are changed from16-26 to16-28                                 | Chen Bo  |
| I   | △    | 2010.07.12 | Rrmove the CSA mark   | Chen Bo  |
| J   | △    | 08/23-18   | update the drawing,Add RoHS compliant,Replace the drawing frame                           | zhangcan |
|     | △    | 08/23-18   | Material:Change a to ⊕ ,Item⊕Female contact: PhBz , Bright Tin plated over Nickel plated. | zhangcan |
|     | △    | 08/23-18   | all Critical dimension Change ⊗ to ▲,add ● Critical dimension:▲                           | zhangcan |
|     | △    | 08/23-18   | add Dim.C = N x 3.81+10.4, Dim.D = (N-1) x 3.81+9.0,add Dim.C,Dim.D Tolerance.            | zhangcan |
|     | △    | 08/23-18   | The solid and Stranded wire are changed from16-26 /16-28 to 16-28                         | zhangcan |
|     | △    | 08/23-18   | change G RoHS compliant (lead<4%) In copper Alloy   | zhangcan |
| K   | △    | 11/26-18   | Change the dimension from 5.2 to 5.04   | Chen Bo  |

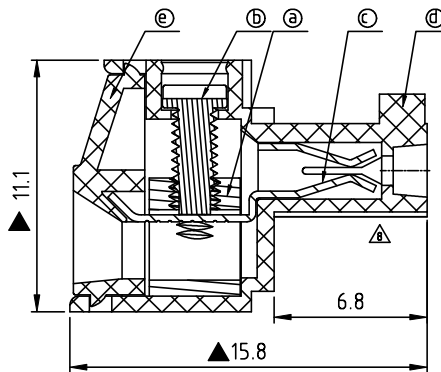
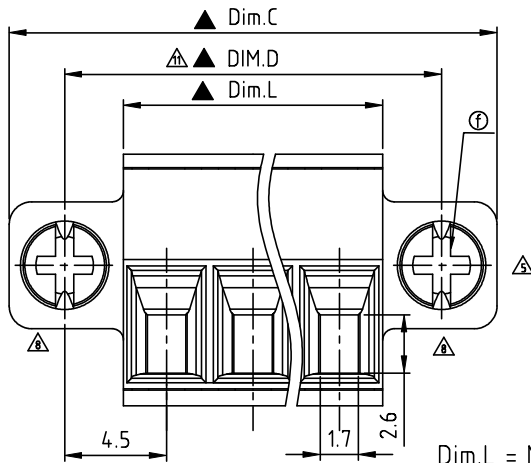
THIS IS CAD DRAWING, DO NOT REVISE MANUALLY!!!

△ Material

- Itemⓐ Clamp: Brass(CuZn) Ni plated
- Itemⓑ Terminal screw: Steel Zinc plating "-" slot type
- △ Itemⓒ Female contact: PhBz ,Bright Tin plated over Nickel plated
- Itemⓓ Terminal (housing): Thermoplastic (UL94V-0)
- Itemⓔ Terminal (cover): Thermoplastic (UL94V-0)
- △ ● Itemⓕ With flange screw:steel M2.5 Zinc plating "+/-" slot type

△ Electrical cULus/VDE

- Voltage rating: 300VAC/300VAC
- Current rating: 10A/10.5A
- Wire range: 1.5mm<sup>2</sup>
- △ ● Solid wire(AWG): 16-28
- Stranded wire(AWG): 16-28
- Torque: 3Lb-In/0.2Nm
- Screw: M2
- Wire strip length: 6-7mm
- Withstanding Voltage: 1.6KV/2.5KV
- Operating temperature: -40°C to +115°C
- △ ● Safety Approval:
- △ ● Critical dimension: ▲



Dim.L = N x 3.81  
Dim.B = (N-1) x 3.81  
△ △ Dim.C = N x 3.81+10.08  
Dim.D = (N-1) x 3.81+9.0  
N= number of poles

| poles | 2P-6P | 7P-12P | 13P-18P | 19P-24P |
|-------|-------|--------|---------|---------|
| Dim.L | ±0.15 | ±0.20  | ±0.25   | ±0.30   |
| Dim.B | ±0.10 | ±0.15  | ±0.20   | ±0.25   |
| Dim.C | ±0.15 | ±0.20  | ±0.25   | ±0.30   |
| Dim.D | ±0.15 | ±0.20  | ±0.25   | ±0.30   |

**Amphenol ANYTEK**

**CUSTOMER COPY**

ALL RIGHTS RESERVED. REPRODUCTION OR ISSUE TO THIRD PARTIES IN ANY FORM WHATSOEVER IS NOT PERMITTED WITHOUT WRITTEN AUTHORITY FROM THE PROPRIETOR. PROPERTY OF ANYTEK TECHNOLOGY CO., LTD

|              |         |                     |                      |                              |            |           |
|--------------|---------|---------------------|----------------------|------------------------------|------------|-----------|
| TITLE        |         |                     |                      | TJ-3.81mm Series With flange |            |           |
| PART NO.     |         | TJxx31x2xxxxG       |                      | DWG NO.                      |            | 8TJ0602   |
| APPROVED     | CHECKED | DESIGNED            | DRAWN                | CUST NO.                     |            | Tolerance |
|              |         | Chen Bo<br>11/26-18 | zhangcan<br>09/19-18 |                              |            | X. ±0.50  |
| SHEET: 01/01 |         |                     |                      |                              |            | UNIT: mm  |
|              |         |                     |                      | SCALE: NONE                  | X.XX ±0.10 |           |
|              |         |                     |                      | REV.: K                      | X° ±1°     |           |

## X-ON Electronics

Largest Supplier of Electrical and Electronic Components

*Click to view similar products for [Pluggable Terminal Blocks](#) category:*

*Click to view products by [Amphenol](#) manufacturer:*

Other Similar products are found below :

[57.510.0053](#) [721-104/026-047](#) [721-204/026-045](#) [MC 1.5/ 6-ST-3.5 GY AU](#) [ET02015000J0G](#) [860505](#) [860516](#) [860810](#) [GBPACX-12](#)  
[93.731.4953.0](#) [PVP03-3,50](#) [PVS02-5,00](#) [1-1986160-3](#) [1377680000](#) [1531000000](#) [1546228-5](#) [ELFP03110](#) [ELFP10210](#) [ELFT07250](#)  
[ELVD12100](#) [ELVF09400](#) [ELXH071G0E](#) [1725220000](#) [1760336](#) [1855000000](#) [19346](#) [1946309](#) [1973592](#) [19892](#) [25.320.4053.1](#) [25.320.4553.9](#)  
[25.320.4753.1](#) [25.320.5453.1](#) [25.340.0353.1](#) [25.340.1053.1](#) [25.345.3553.0M001](#) [25.640.3553.1](#) [SH02-5,08](#) [SH06-3,81](#) [SH08-5,08](#) [SH08-](#)  
[5,08-K](#) [SH12-5,08](#) [SHS04-5,00](#) [30.303](#) [30.305](#) [30.306](#) [PHP09-5,08](#) [25.193.0453.0](#) [25.320.4653.1](#) [25.332.2453.1](#)