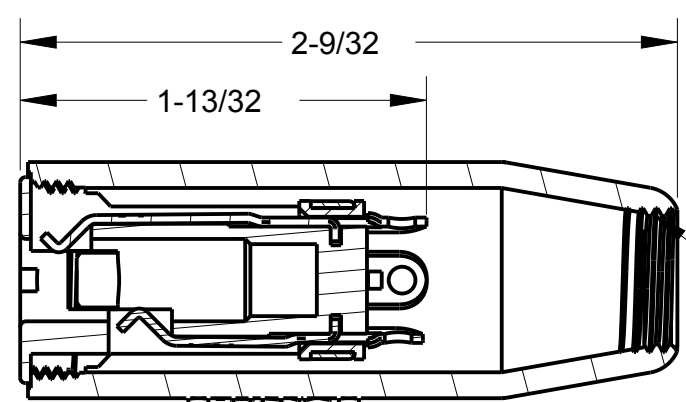


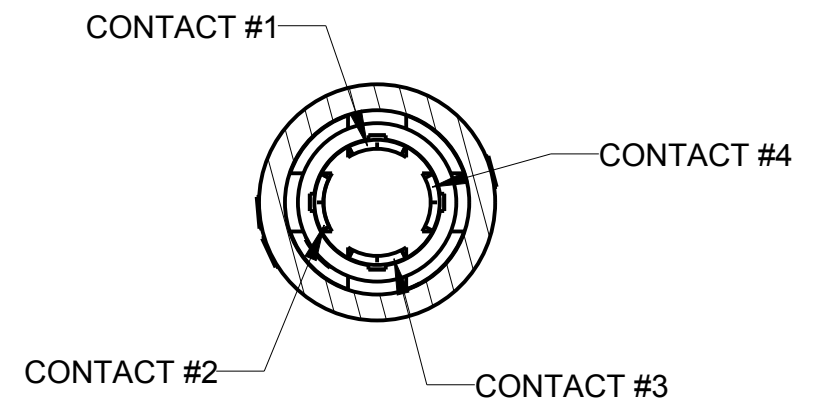
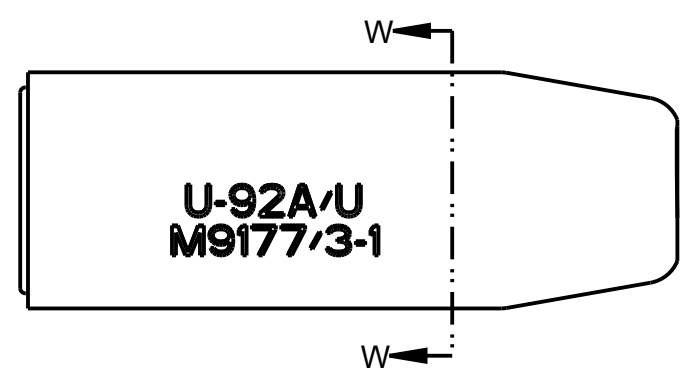
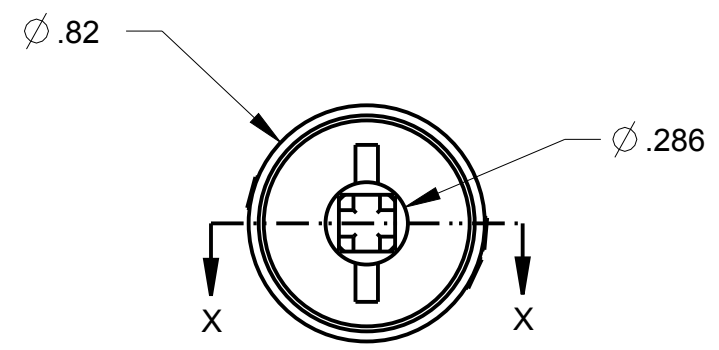
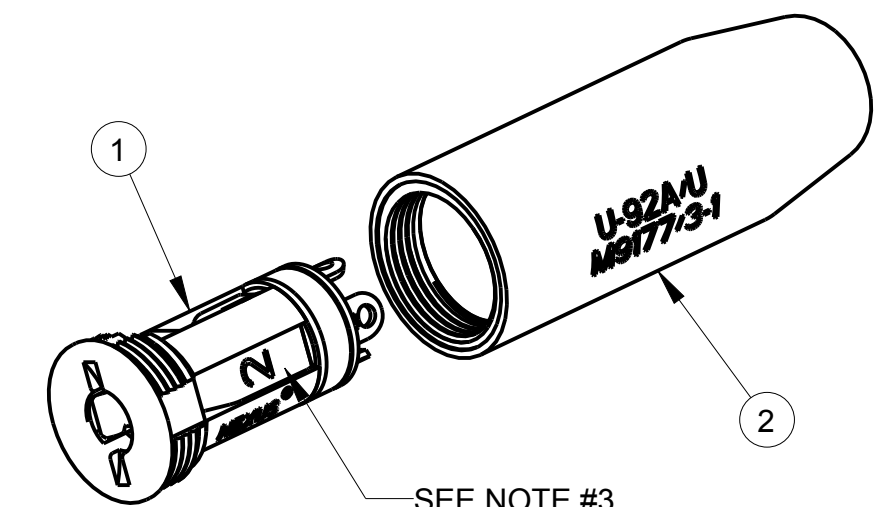
ITEM #	PART #	QTY	DESCRIPTION
1	TJS-102-9SP	1	JACK ASSEMBLY
2	TJ-102-6	1	SHELL

**B** TJ-102SP

NOTES:  
 1) UNLESS OTHERWISE SPECIFIED, THIS PART MEETS THE GENERAL REQUIREMENTS OF MIL-C-9177/3A  
 2) EACH PART SHALL BE MARKED WITH U-94A/U & M9177/3-1  
 3) EACH CONTACT HAS AN IDENTIFICATION NUMBER STAMPED ON IT  
 4) MATING CONNECTORS M9177/1-1, & M9177/2-1



SECTION X-X



SECTION W-W

THIS DOCUMENT CONTAINS PROPRIETARY INFORMATION OF NEXUS, INCORPORATED AND SUCH INFORMATION MAY NOT BE DISCLOSED TO OTHERS FOR ANY PURPOSE OR USED FOR ANY PURPOSE WITHOUT THE WRITTEN CONSENT OF NEXUS.

LET.	REVISION	CN #	DATE	CHK.
A	NEW RELEASE	223	5/8 2015	HR

DWN.BY	HR	DATE	5/8/15
CHECKED BY		DATE	
APPR.BY		DATE	
UNLESS OTHERWISE SPECIFIED: DIMENSIONS ARE IN INCHES &/OR (mm)			
TOLERANCES:			
DECIMAL: .XX[X.X] .XXX[X.XX]		± .0X[0.X] ± .00X[0.0X]	
FRACTION: X/X		ANGLES: .X ± .X°	

MATERIAL	
FINISH	
WEIGHT —	SCALE = 4.00 :1
TITLE	
TELEPHONE JACK	
DO NOT SCALE DWG.	SHEET 1 OF 1

**NEXUS**  
STAMFORD, CONN

SIZE	DWG. NO.
<b>B</b>	TJ-102SP

## X-ON Electronics

Largest Supplier of Electrical and Electronic Components

*Click to view similar products for [Phone Connectors](#) category:*

*Click to view products by [Amphenol](#) manufacturer:*

Other Similar products are found below :

[M444B](#) [6J1041A](#) [R4F](#) [E12BPKG](#) [ECP4PKG](#) [161-3502L-E](#) [MT333X](#) [171-0350-EX](#) [171-101A-EX](#) [171-3325-EX](#) [176S](#) [NC3MG-V](#)  
[NYS228G](#) [P10834](#) [P2380](#) [P2381X](#) [P2411X](#) [P2412](#) [P2724](#) [JM2PB-AU BULK](#) [9144](#) [S2674](#) [280L](#) [163-156N-2-E](#) [163-158N-2-E](#) [171-3308-](#)  
[EX](#) [171-3500-E](#) [2501FT](#) [CMT335](#) [M10662](#) [330Q](#) [RJ5VI-S](#) [40116](#) [TM1R-AU](#) [TM2PBMJ-AU](#) [TM2PJ-AU](#) [TM2PJ-AU BULK](#) [4803.1351](#)  
[49201](#) [49205](#) [TS3PBJ-AU](#) [TS3PBMJ-AU](#) [TT32BX](#) [54B](#) [40112](#) [40205](#) [XMT332B](#) [52170017-331](#) [570](#) [NM3](#)