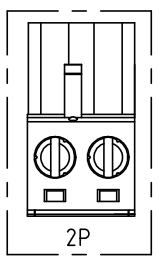
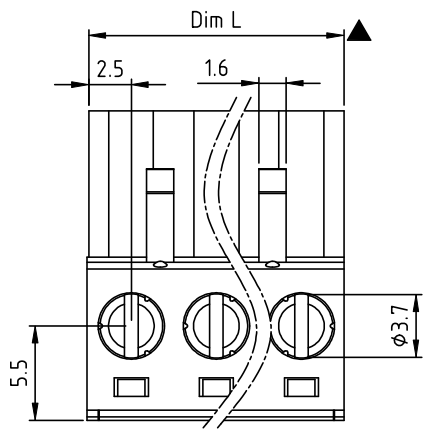
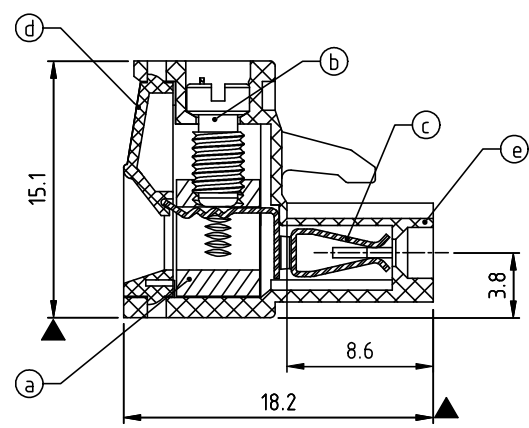
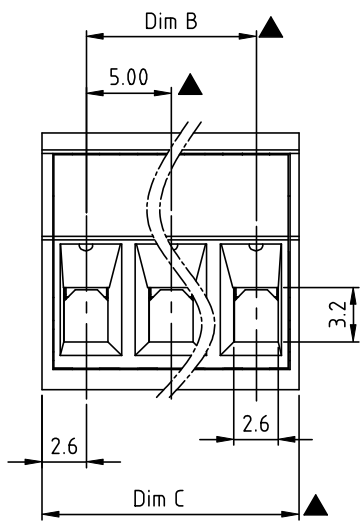


THIS IS CAD DRAWING, DO NOT REVISE MANUALLY!!!



- Material**
- Item ① Clamp: Brass(CuZn) Ni plated
  - Item ② Terminal screw: Steel Zinc plating "-" slot type
  - Item ③ Female contact: PhBz, Bright Tin plated over Nickel plated
  - Item ④ Terminal Cover: Thermoplastic (UL94V-0)
  - Item ⑤ Terminal housing: Thermoplastic (UL94V-0)

- Electrical cULus/VDE/TUV**
- Voltage rating: 300VAC/300VAC/300VAC
  - Current rating: 12A/20A/20A
  - Wire range: 2.5mm<sup>2</sup>/0.34-2.5mm<sup>2</sup>
  - Solid wire(AWG): 12-24
  - Stranded wire(AWG): 12-24
  - Torque: 5Lb-In/0.5Nm/0.56Nm
  - Screw: M3
  - Wire strip length: 7-8mm
  - Withstanding Voltage: 1.6KV/2.5KV/2.5KV
  - Operating temperature: -40°C to +115°C
  - Safety Approval: cULus VDE TÜV
  - Critical dimension: ▲



**TJ xx 71x 0 xxxx G**

No. OF POLES		G RoHS compliant (lead<4%) In copper Alloy
02 2 poles		
03 3 poles		
... ..		
24 24 poles		

**COLOR**

0 Black (RAL9005)	0000: "@" Logo (Standard)
2 Red (RAL3001/D)	000A: "ANYTEK" Mark
3 Orange(RAL2011/P)	0091: "ANYTEK" Mark
4 Yellow(RAL1018/A)	Any special item by customer request.
5 Green(RAL6018/T)	please contact sales department.
6 Blue (RAL5015/A)	
8 Grey(RAL7035/D)	
9 White(RAL1102)	
C Green(RAL6018/U)	

N= Number of poles

Dimension	Poles	Dim L/B/C Tolerance
Dim L N×5.0	2P-6P	±0.15
Dim B (N-1)×5.0	7P-12P	±0.25
Dim C N×5.0+0.10	13P-18P	±0.30
	19P-24P	±0.40

		<b>CUSTOMER COPY</b> <small>ALL RIGHTS RESERVED. REPRODUCTION OR ISSUE TO THIRD PARTIES IN ANY FORM WHATSOEVER IS NOT PERMITTED WITHOUT WRITTEN AUTHORITY FROM THE PROPRIETOR. PROPERTY OF ANYTEK TECHNOLOGY CO., LTD</small>	
PART NO. TJxx71x0xxxxG		DWG NO. 8TJ0301	
APPROVED	CHECKED	DESIGNED	DRAWN
		Chen Bo 04/12-21	Chen Bo 04/12-21
SHEET: 01/01		Tolerance	
UNIT: mm		X. ±0.50	
SCALE: NONE		X.X ±0.30	
REV.: K		X.XX ±0.10	
		X° ±1°	

## X-ON Electronics

Largest Supplier of Electrical and Electronic Components

*Click to view similar products for [Pluggable Terminal Blocks](#) category:*

*Click to view products by [Amphenol](#) manufacturer:*

Other Similar products are found below :

[57.510.0053](#) [721-104/026-047](#) [721-204/026-045](#) [MC 1.5/ 6-ST-3.5 GY AU](#) [ET02015000J0G](#) [860505](#) [860516](#) [860810](#) [GBPACX-12](#)  
[93.731.4953.0](#) [PV05-5,08-K](#) [PVP03-3,50](#) [PVS02-5,00](#) [1-1986160-3](#) [1377680000](#) [1531000000](#) [1546228-5](#) [ELFP03110](#) [ELFP10210](#)  
[ELFT06250](#) [ELFT07250](#) [ELVD12100](#) [ELVF09400](#) [ELXH071G0E](#) [1634640000](#) [1725220000](#) [1760336](#) [1855000000](#) [19346](#) [1946309](#)  
[1973592](#) [19892](#) [2-1546857-6](#) [25.320.4053.1](#) [25.320.4553.9](#) [25.320.4753.1](#) [25.320.5453.1](#) [25.340.0353.1](#) [25.340.1053.1](#) [25.345.3553.0M001](#)  
[25.640.3553.1](#) [SH02-5,08](#) [SH06-3,81](#) [SH08-5,08](#) [SH08-5,08-K](#) [SH12-5,08](#) [SHS04-5,00](#) [30.303](#) [30.305](#) [30.306](#)