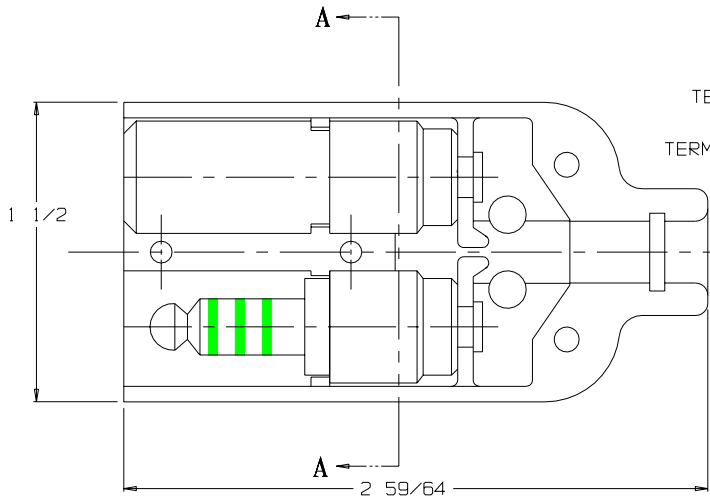
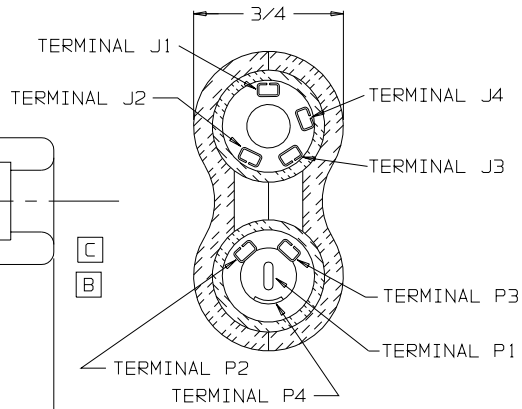


FOR REFERENCE ONLY

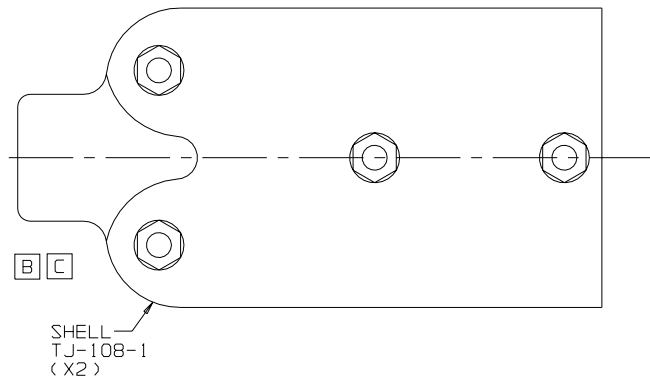
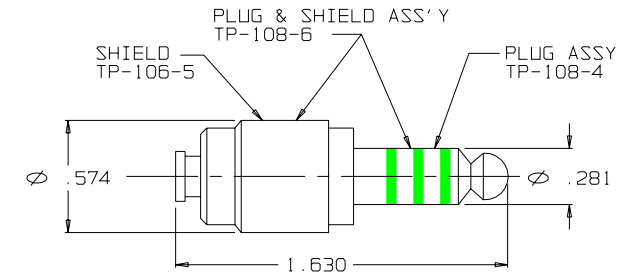
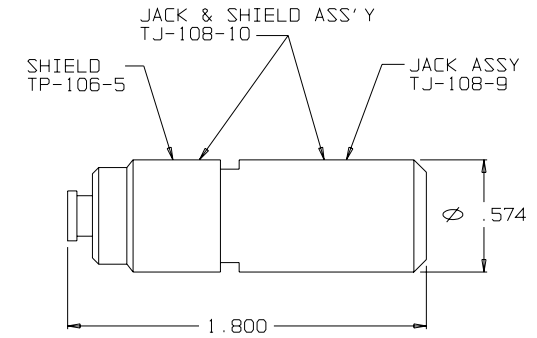
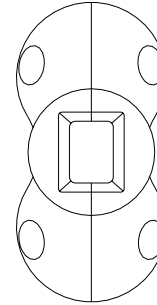
C TJ-108



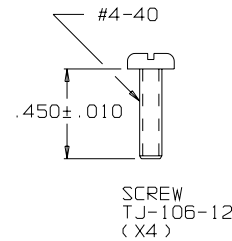
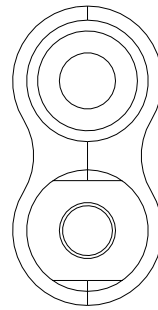
VIEW WITH HALF SHELL REMOVED



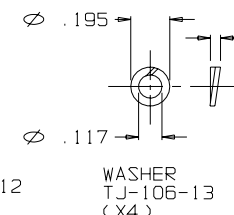
SECTION A-A



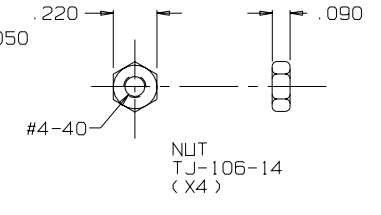
SHELL TJ-108-1 (X2)



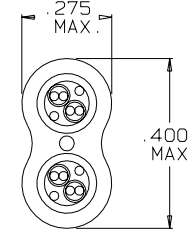
SCREW TJ-106-12 (X4)



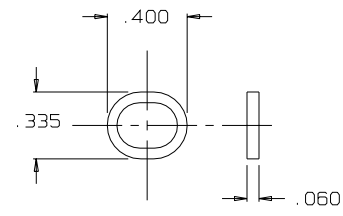
WASHER TJ-106-13 (X4)



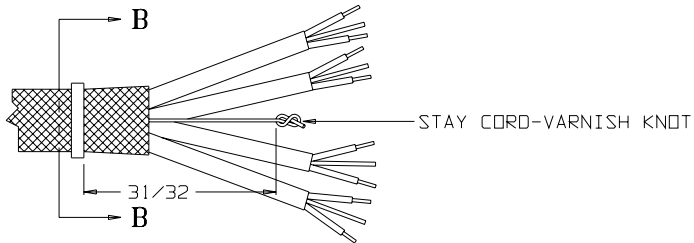
NUT TJ-106-14 (X4)



SECTION B-B
STRAIN RELIEF CLAMP TJ-106-10A AFTER CRIMPING SCALE: 4:1



RING, STRAIN RELIEF TJ-106-10A



THIS DOCUMENT CONTAINS PROPRIETARY INFORMATION OF NEXUS, INCORPORATED AND SUCH INFORMATION MAY NOT BE DISCLOSED TO OTHERS FOR ANY PURPOSE OR USED FOR ANY PURPOSE WITHOUT THE WRITTEN CONSENT OF NEXUS.

C		UPDATE TO SHOW RE-DESIGNED CABLE ENTRY	6/30/06	EWT	DWN. BY M. N. F.	DATE 9/14/95	MATERIAL	_____
B		UPDATE TO SHOW OLD CABLE ENTRY	6/28/06	EWT	CHECKED BY L. SMITH	DATE 3/14/96	FINISH	_____
A					L. SMITH	DATE 3/14/96	WEIGHT	_____
LET.		REVISION	CN #	DATE	CHK.		SCALE	2:1
							TITLE	JACK-TELEPHONE-BIAXIAL SHIELDED (8) CONDUCTOR
							TITLE	JACK-TELEPHONE-BIAXIAL SHIELDED (8) CONDUCTOR
							DO NOT SCALE DWG.	SHEET 1 OF 1
							SIZE	C
							DWG. NO.	TJ-108

X-ON Electronics

Largest Supplier of Electrical and Electronic Components

Click to view similar products for [Phone Connectors](#) category:

Click to view products by [Amphenol](#) manufacturer:

Other Similar products are found below :

[M444B](#) [6J1041A](#) [R4F](#) [E12BPKG](#) [ECP4PKG](#) [161-3502L-E](#) [MT333X](#) [171-0350-EX](#) [171-101A-EX](#) [171-3325-EX](#) [176S](#) [NC3MG-V](#)
[NYS228G](#) [P10834](#) [P2380](#) [P2381X](#) [P2411X](#) [P2412](#) [P2724](#) [JM2PB-AU BULK](#) [9144](#) [S2674](#) [280L](#) [163-156N-2-E](#) [163-158N-2-E](#) [171-3308-](#)
[EX](#) [171-3500-E](#) [2501FT](#) [CMT335](#) [M10662](#) [330Q](#) [RJ5VI-S](#) [40116](#) [TM1R-AU](#) [TM2PBMJ-AU](#) [TM2PJ-AU](#) [TM2PJ-AU BULK](#) [4803.1351](#)
[49201](#) [49205](#) [TS3PBJ-AU](#) [TS3PBMJ-AU](#) [TT32BX](#) [54B](#) [40112](#) [40205](#) [XMT332B](#) [52170017-331](#) [570](#) [NM3](#)