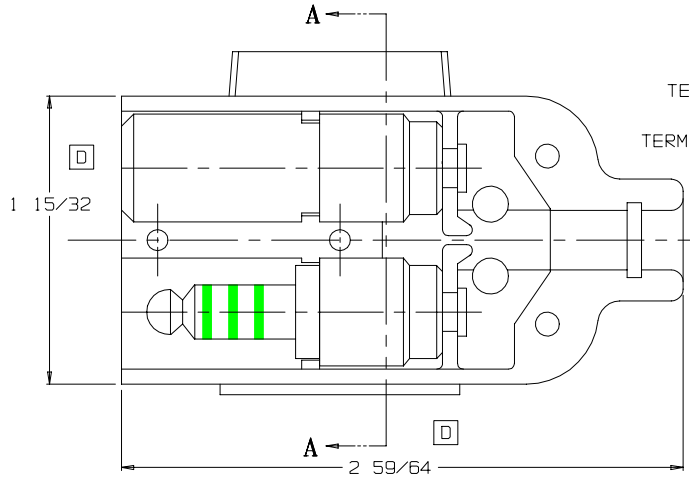
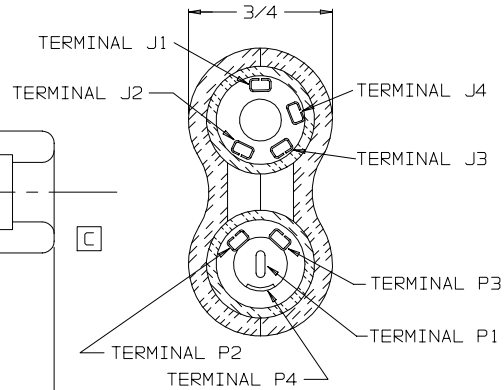


C TJ-108C

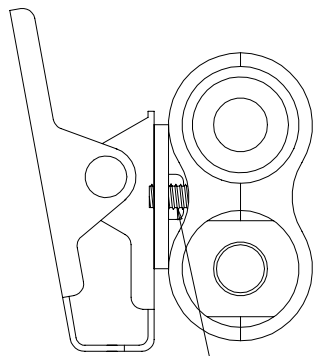
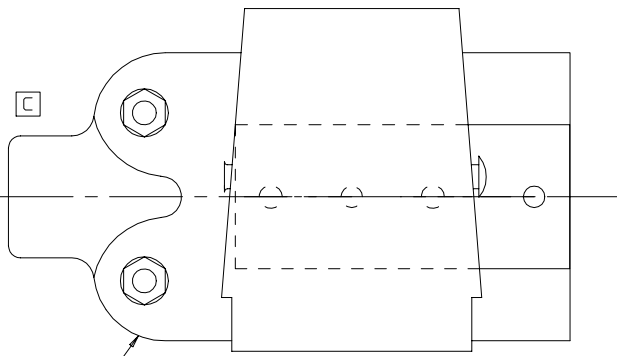
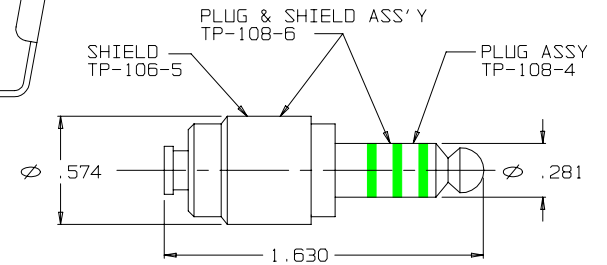
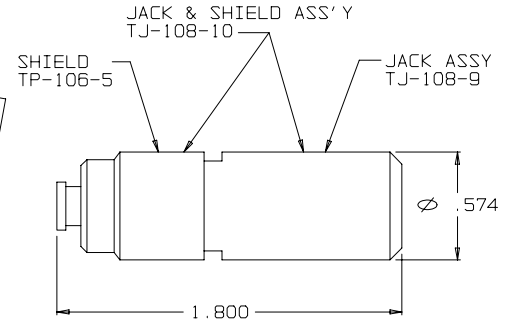
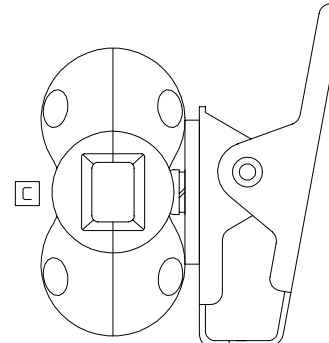
NOTE:
CLIP CAN BE REVERSED
FOR L.H. OR R.H. USE



VIEW WITH HALF SHELL REMOVED



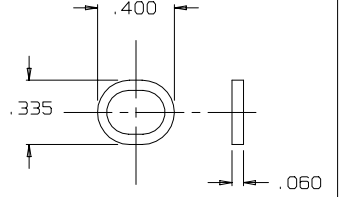
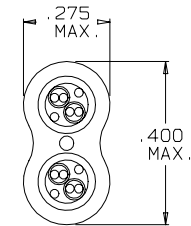
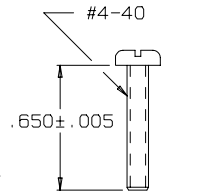
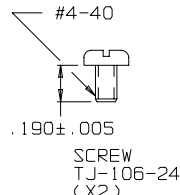
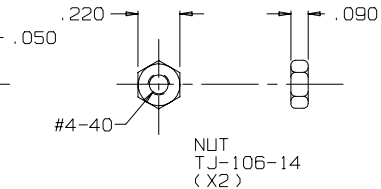
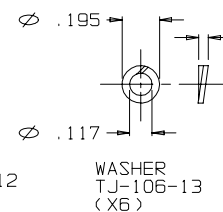
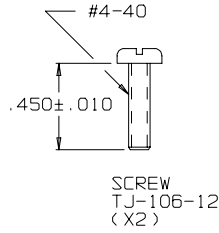
SECTION A-A



SHELL
TJ-108-1
(X2)

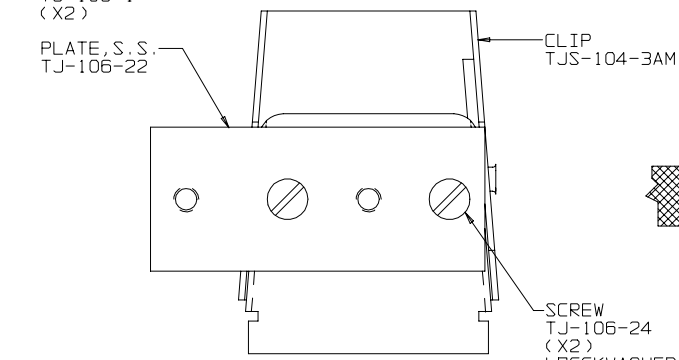
PLATE, S.S.
TJ-106-22

CLIP
TJS-104-3AM



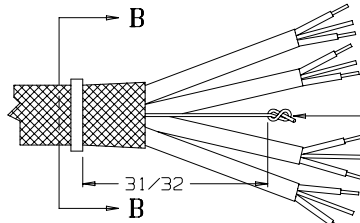
SECTION B-B
STRAIN RELIEF
CLAMP TJ-106-10A
AFTER CRIMPING
SCALE: 4:1

THIS DOCUMENT CONTAINS PROPRIETARY INFORMATION OF NEXUS, INCORPORATED AND SUCH INFORMATION MAY NOT BE DISCLOSED TO OTHERS FOR ANY PURPOSE OR USED FOR ANY PURPOSE WITHOUT THE WRITTEN CONSENT OF NEXUS.



CLIP AND ADAPTOR PLATE ASS'Y

SCREW
TJ-106-24
(X2)
LOCKWASHER
TJ-106-13
(X2)



STAY CORD-VARNISH KNOT

DWN. BY <i>M.N.F.</i>		DATE 9/14/95	MATERIAL	
CHECKED BY <i>L. SMITH</i>		DATE 3/14/96	FINISH	
APPR. BY <i>L. SMITH</i>		DATE 3/14/96	WEIGHT	SCALE 2:1
C CHANGED DETAIL OF CORD ENTRY 0425 9/13/01 EWT		TITLE JACK-TELEPHONE-BIAXIAL SHIELDED (8) CONDUCTOR WITH CLIP		
B 3) WAS .190 ± .010 0352 3/11/96		SIZE Dwg. No. C TJ-108C		
1) WAS .190 ± .010 0220 3/29/96		DD NOT SCALE DWG. SHEET 1 OF 1		
D DIM WAS 8-27-92 SCALING ERROR ONLY 443 8/7/06 EWT				
LET.	REVISION	DN #	DATE	CHK.

X-ON Electronics

Largest Supplier of Electrical and Electronic Components

Click to view similar products for [Phone Connectors](#) category:

Click to view products by [Amphenol](#) manufacturer:

Other Similar products are found below :

[M444B](#) [6J1041A](#) [R4F](#) [E12BPKG](#) [ECP4PKG](#) [161-3502L-E](#) [MT333X](#) [171-0350-EX](#) [171-101A-EX](#) [171-3325-EX](#) [176S](#) [NC3MG-V](#)
[NYS228G](#) [P10834](#) [P2380](#) [P2381X](#) [P2411X](#) [P2412](#) [P2724](#) [JM2PB-AU BULK](#) [9144](#) [S2674](#) [280L](#) [163-156N-2-E](#) [163-158N-2-E](#) [171-3308-](#)
[EX](#) [171-3500-E](#) [2501FT](#) [CMT335](#) [M10662](#) [330Q](#) [RJ5VI-S](#) [40116](#) [TM1R-AU](#) [TM2PBMJ-AU](#) [TM2PJ-AU](#) [TM2PJ-AU BULK](#) [4803.1351](#)
[49201](#) [49205](#) [TS3PBJ-AU](#) [TS3PBMJ-AU](#) [TT32BX](#) [54B](#) [40112](#) [40205](#) [XMT332B](#) [52170017-331](#) [570](#) [NM3](#)