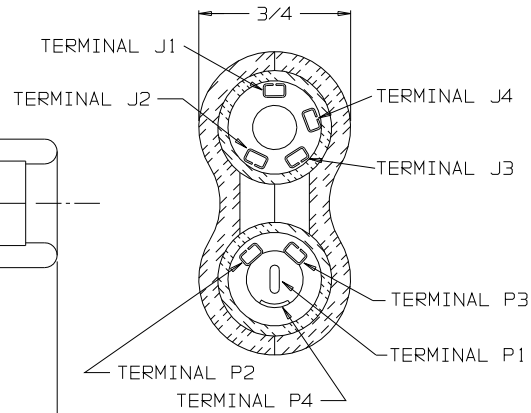
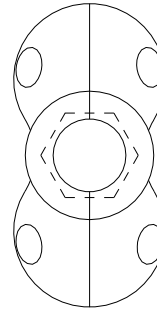


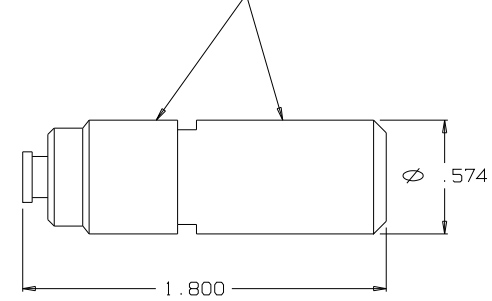
VIEW WITH HALF SHELL REMOVED



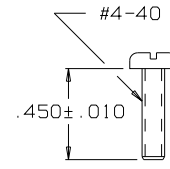
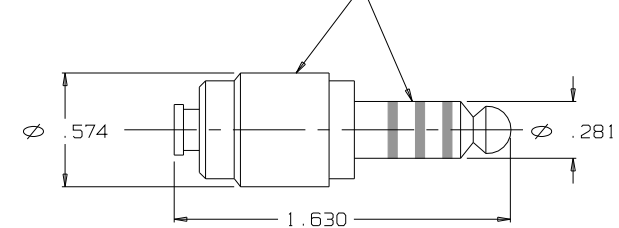
SECTION A-A



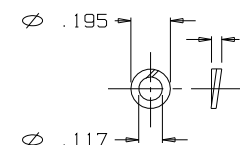
JACK & SHIELD ASS'Y
TJ-108-10



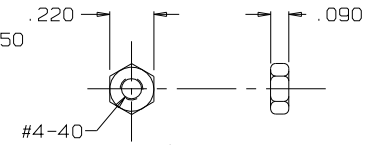
PLUG & SHIELD ASS'Y
TP-108-6



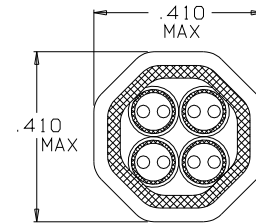
SCREW
TJ-106-12
(X4)



WASHER
TJ-106-13
(X4)

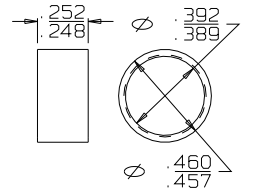


NUT
TJ-106-14
(X4)



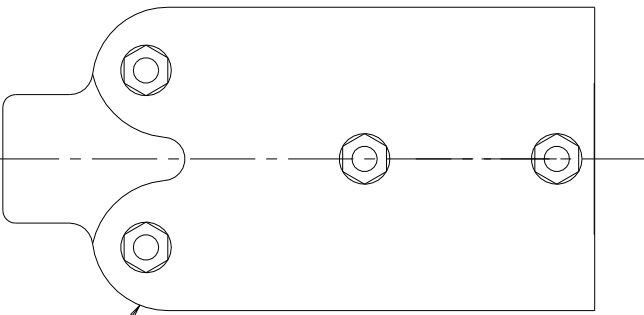
SECTION B-B

STRAIN RELIEF
CLAMP TJSS-106-12
AFTER CRIMPING
USE DANIELS HX4 CRIMP
TOOL AND Y146 DIE SET
SCALE 4:1

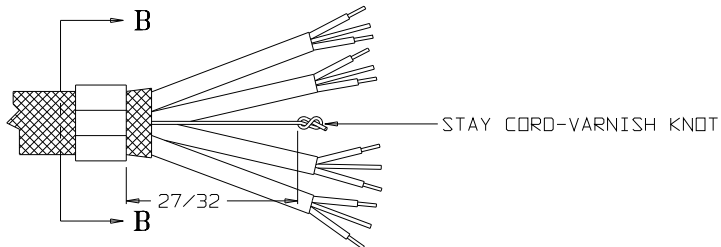


RING, STRAIN RELIEF
TJSS-106-12

THIS DOCUMENT CONTAINS PROPRIETARY INFORMATION OF NEXUS, INCORPORATED AND SUCH INFORMATION MAY NOT BE DISCLOSED TO OTHERS FOR ANY PURPOSE OR USED FOR ANY PURPOSE WITHOUT THE WRITTEN CONSENT OF NEXUS.



SHELL
TJ-108-1HC
(X2)



D	DEL TJ-106-21, TP-104-3AM, TJ-106-34, TP-106-19, TP-106-5, TJ-108-9, TP-106-5, TP-108-4. NOTE: CLIP CAN BE REVERSED FOR LH OR RH USE	148	1/17/13	HR	OWN BY: <i>EWT</i>	DATE: 9/14/01	MATERIAL: _____
	C	CHG: 5 27/32 TO 2 59/64	137	8/3/12	HR	CHECKED BY: _____	FINISH: _____
B	ADD DANIELS HX4 CRIMP TOOL AND Y146 DIE SET	026	9/16/09	GPH	APPR BY: _____	DATE: _____	WEIGHT: _____ SCALE 2:1
A	INITIAL RELEASE				UNLESS OTHERWISE SPECIFIED DIMENSIONS ARE IN INCHES TOLERANCES ON: FRACTIONS DECIMALS ANGLES		TITLE JACK-TELEPHONE-BIAxIAL SHIELDED (8) CONDUCTOR WITH HEX CRIMP
LET.	REVISION	CN #	DATE	CHK.	± 1/64	± .005	DD NOT SCALE DWG. SHEET 1 OF 1

NEXUS
STAMFORD, CONN

SIZE DWG. NO. **C** TJ-108HC

X-ON Electronics

Largest Supplier of Electrical and Electronic Components

Click to view similar products for [Phone Connectors](#) category:

Click to view products by [Amphenol](#) manufacturer:

Other Similar products are found below :

[M444B](#) [6J1041A](#) [R4F](#) [E12BPKG](#) [ECP4PKG](#) [161-3502L-E](#) [MT333X](#) [171-0350-EX](#) [171-101A-EX](#) [171-3325-EX](#) [176S](#) [NC3MG-V](#)
[NYS228G](#) [P10834](#) [P2380](#) [P2381X](#) [P2411X](#) [P2412](#) [P2724](#) [JM2PB-AU BULK](#) [9144](#) [S2674](#) [280L](#) [163-156N-2-E](#) [163-158N-2-E](#) [171-3308-](#)
[EX](#) [171-3500-E](#) [2501FT](#) [CMT335](#) [M10662](#) [330Q](#) [RJ5VI-S](#) [40116](#) [TM1R-AU](#) [TM2PBMJ-AU](#) [TM2PJ-AU](#) [TM2PJ-AU BULK](#) [4803.1351](#)
[49201](#) [49205](#) [TS3PBJ-AU](#) [TS3PBMJ-AU](#) [TT32BX](#) [54B](#) [40112](#) [40205](#) [XMT332B](#) [52170017-331](#) [570](#) [NM3](#)