

B TJG-120

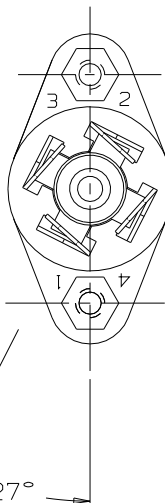
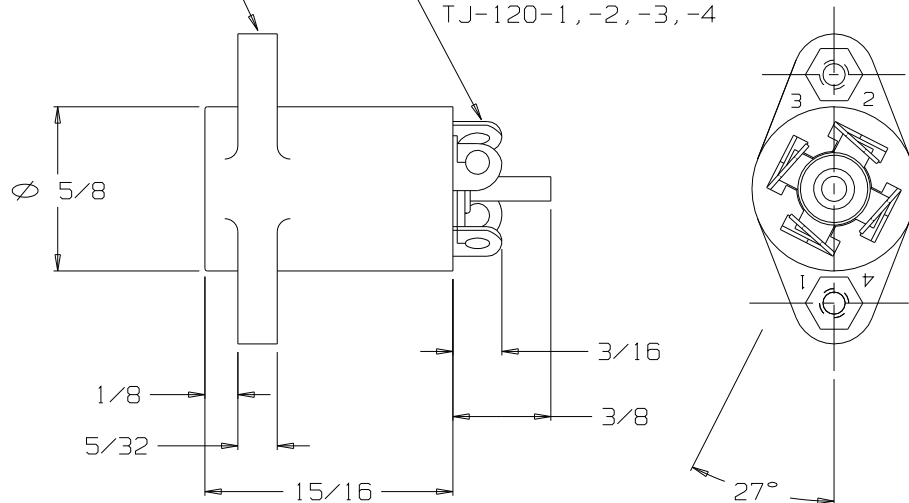
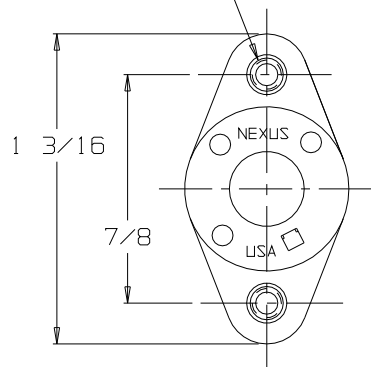
#4-40 LINC-2B
BRASS INSERTS

BODY, PHONE JACK W/ NUTS
GENERAL PURPOSE PHENOLIC
COLOR: BLACK (TJ-120-7)

TERMINALS (4 REQ'ED)
SEE NOTE 1&2
TJ-120-1, -2, -3, -4

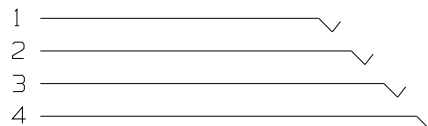
NOTES:

- 1) TERMINAL 1,2,3&4 TO BE BERYLIUM COPPER.
- 2) ALL TERMINALS FINISHED PER QQ-N-290A, TYPE 1 CLASS VII NICKEL.
- 3) ASSEMBLY TO MAKE CONTACT WITH TELEPHONE PLUGS TYPE U-93A/U, U-174/U & NEXUS TP-120.
- 4) TERMINALS 1 & 3 ARE FOR MICROPHONE CIRCUIT, TERMINALS 2 & 4 ARE FOR EARPHONE CIRCUIT.
- 5) INSERTION FORCE: 13 LBS MAX
WITHDRAWAL FORCE : 5 LBS MIN, 10 LBS MAX.
- 6) ELECTRICAL::
 - A) DIALECTRIC STRENGTH- 500 VOLTS RMS MIN BETWEEN ANY PAIR OF CONTACTS.
 - B) INSULATION RESISTANCE- 100 MEGAOHMS MIN BETWEEN ANY PAIR OF CONTACTS.



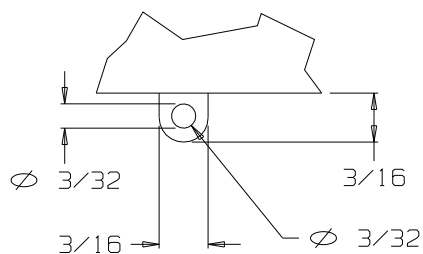
G

CENTER TERM



CIRCUIT SCHEMATIC NO

THIS DOCUMENT CONTAINS PROPRIETARY INFORMATION OF NEXUS, INCORPORATED AND SUCH INFORMATION MAY NOT BE DISCLOSED TO OTHERS FOR ANY PURPOSE OR USED FOR ANY PURPOSE WITHOUT THE WRITTEN CONSENT OF NEXUS.



TERMINAL DETAIL

H	RE-DRAWN ON CAD	457	11/20/03	EWT
G	ADDED NOTE 5&6		2/15/09	
F	RE-DRAWN		8/13/09	MA
LET.	REVISION	CN #	DATE	CHK.

DWN. BY	EWT	DATE	11/13/03	MATERIAL	SEE DRAWING
CHECKED BY		DATE		FINISH	N/A
APPR. BY		DATE		WEIGHT	—
UNLESS OTHERWISE SPECIFIED DIMENSIONS ARE IN INCHES TOLERANCES ON .XX .XXX ANGLES — ±.003 ±.5°				SCALE	2:1
				TITLE	PHONE JACK ASSY FOUR CONTACT
DO NOT SCALE DWG.				SHEET	1 OF 1
				SIZE	B
				DWG. NO.	TJG-120

NEXUS
STAMFORD, CONN

X-ON Electronics

Largest Supplier of Electrical and Electronic Components

Click to view similar products for [Phone Connectors](#) category:

Click to view products by [Amphenol](#) manufacturer:

Other Similar products are found below :

[M444B](#) [6J1041A](#) [R4F](#) [E12BPKG](#) [ECP4PKG](#) [161-3502L-E](#) [MT333X](#) [171-0350-EX](#) [171-101A-EX](#) [171-3325-EX](#) [176S](#) [NC3MG-V](#)
[NYS228G](#) [P10834](#) [P2380](#) [P2381X](#) [P2411X](#) [P2412](#) [P2724](#) [JM2PB-AU BULK](#) [9144](#) [S2674](#) [280L](#) [163-156N-2-E](#) [163-158N-2-E](#) [171-3308-](#)
[EX](#) [171-3500-E](#) [2501FT](#) [CMT335](#) [M10662](#) [330Q](#) [RJ5VI-S](#) [40116](#) [TM1R-AU](#) [TM2PBMJ-AU](#) [TM2PJ-AU](#) [TM2PJ-AU BULK](#) [4803.1351](#)
[49201](#) [49205](#) [TS3PBJ-AU](#) [TS3PBMJ-AU](#) [TT32BX](#) [54B](#) [40112](#) [40205](#) [XMT332B](#) [52170017-331](#) [570](#) [NM3](#)