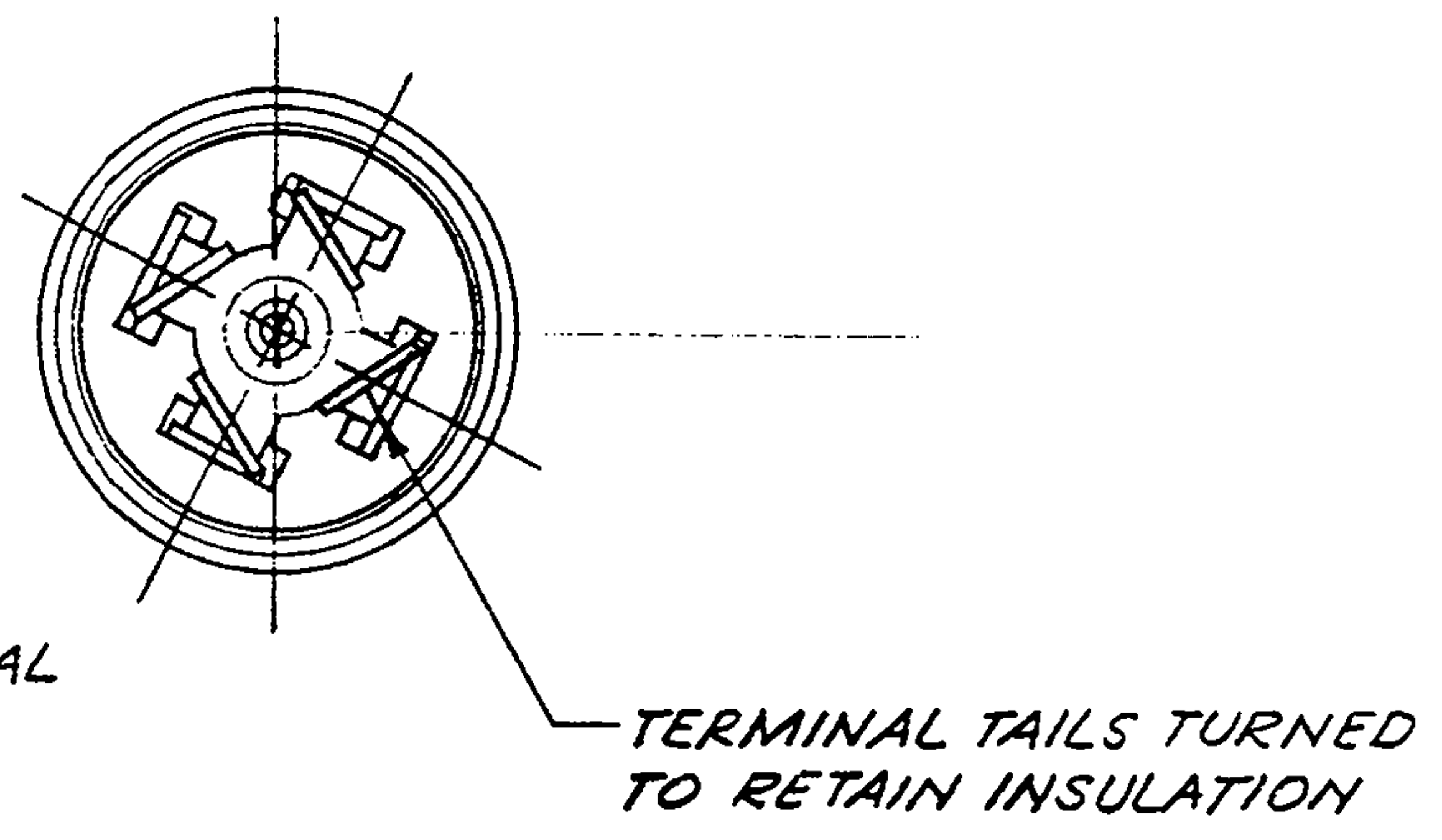
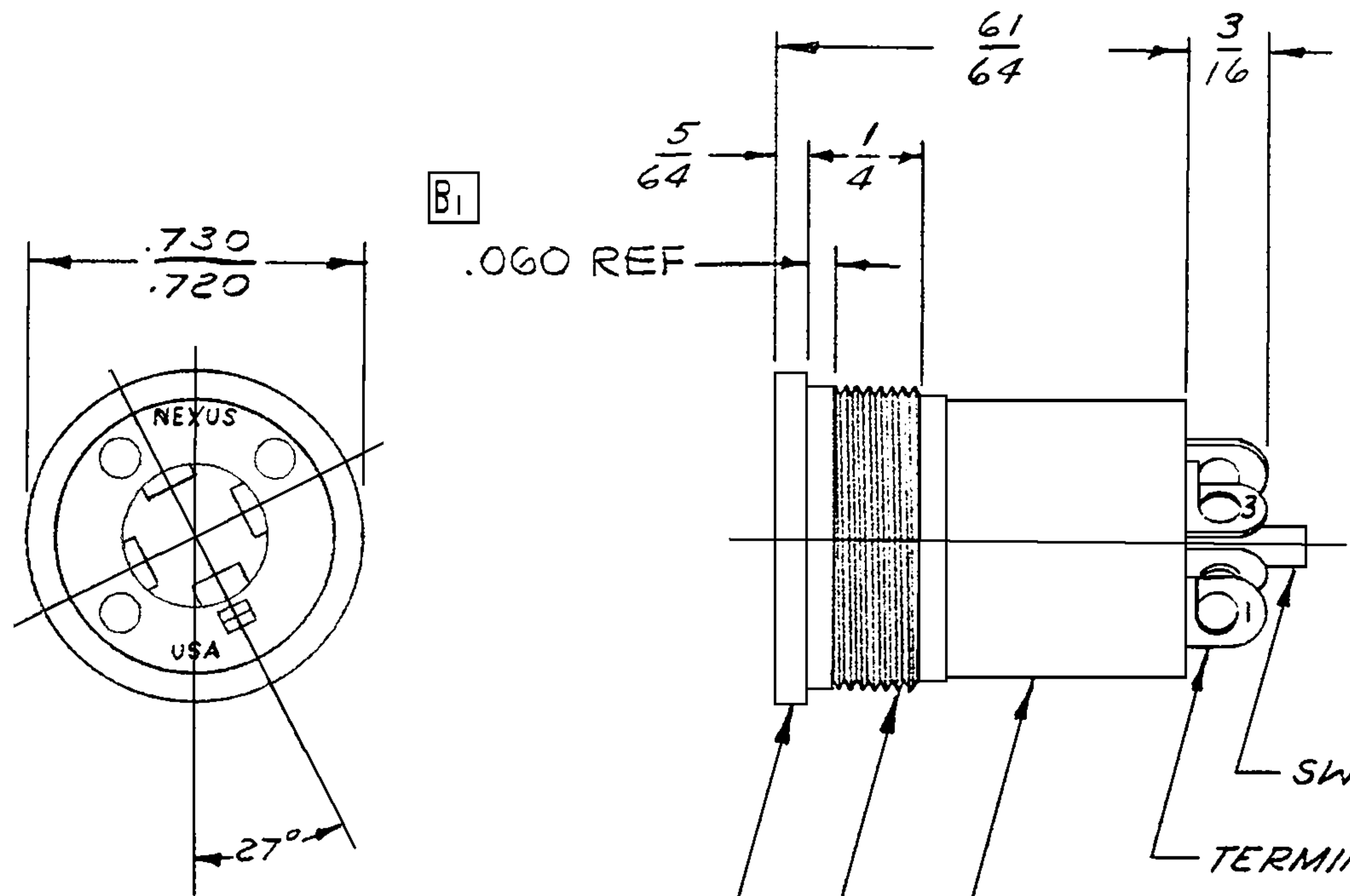


B TJGT-120

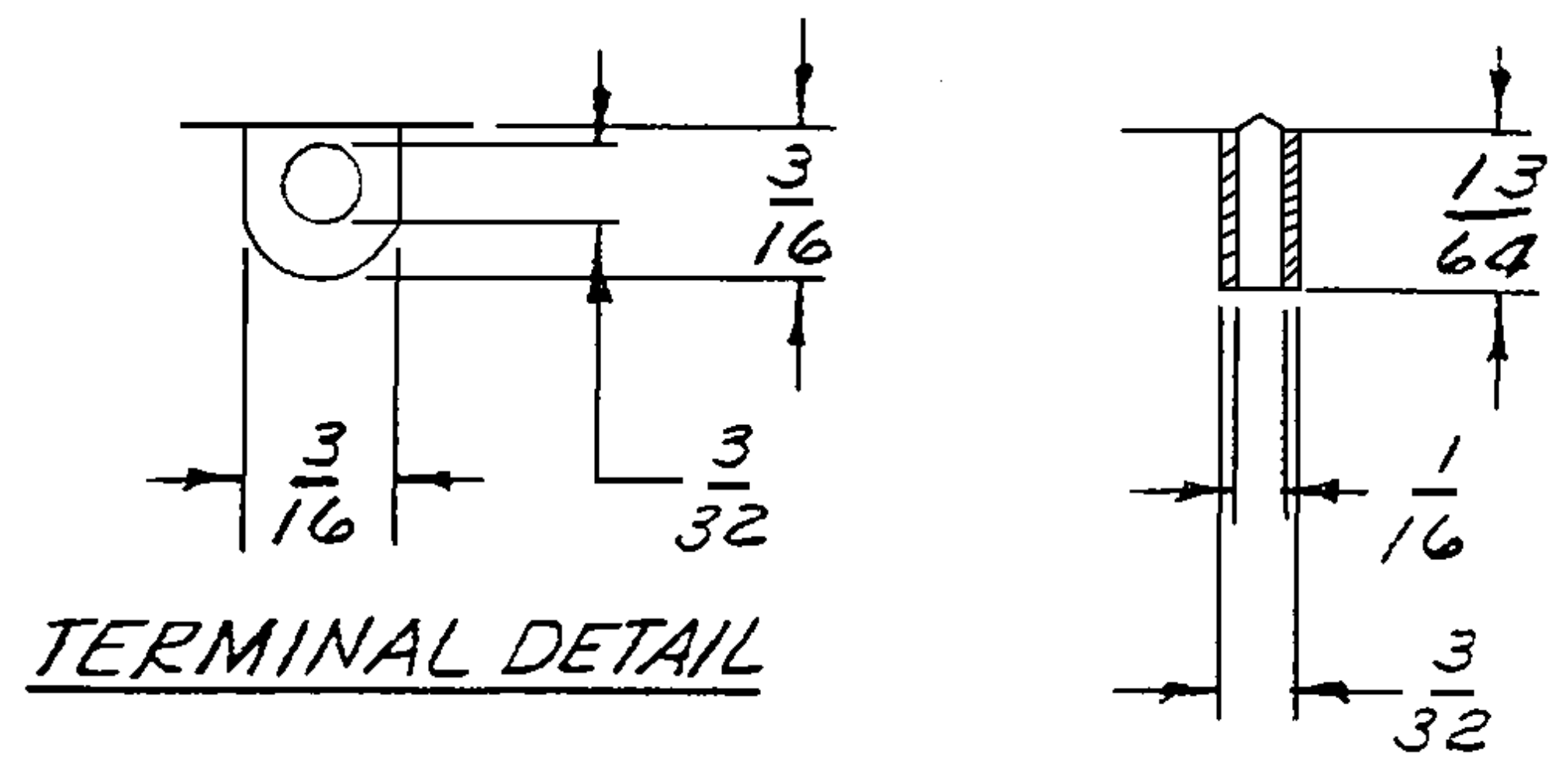
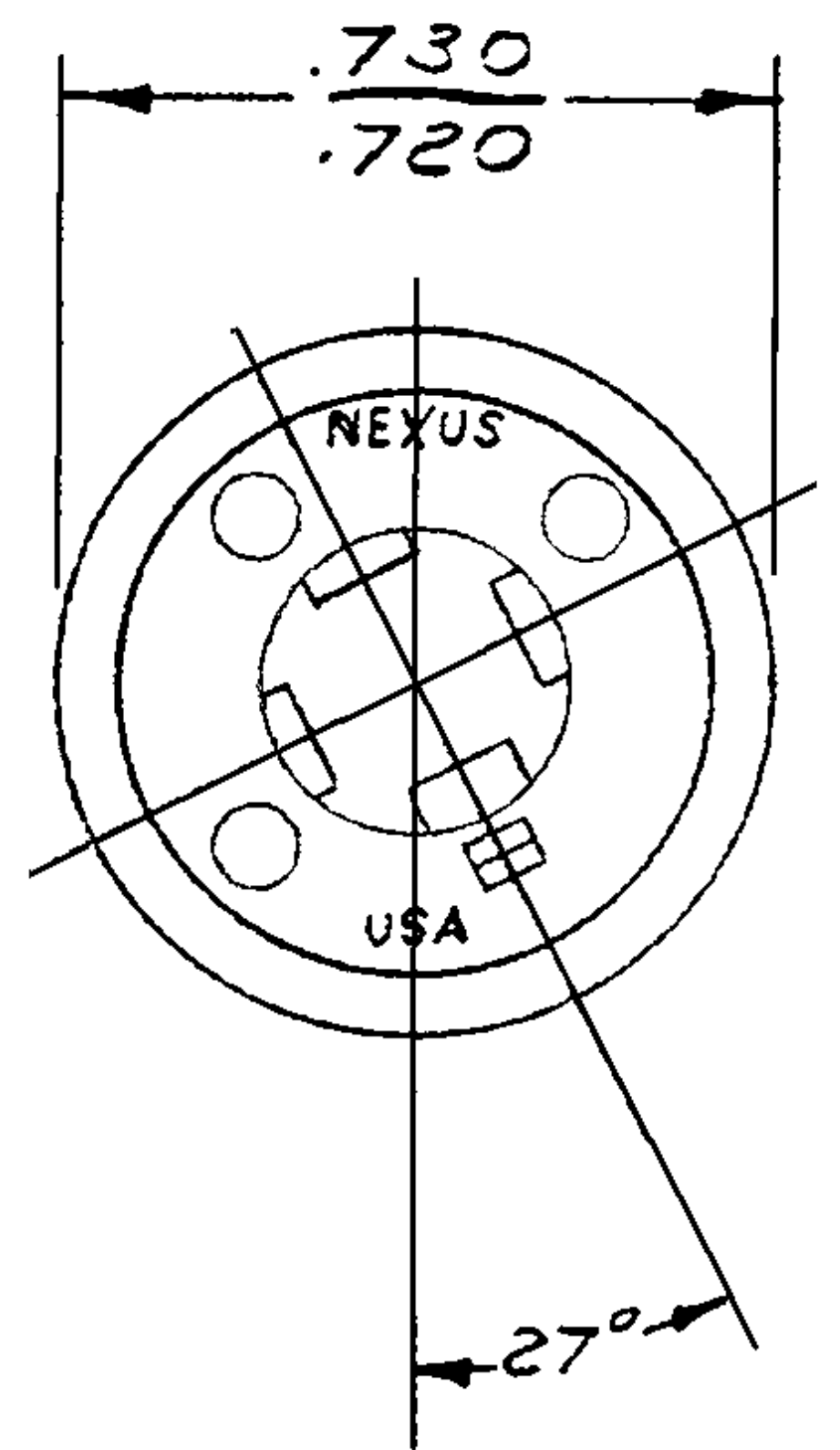
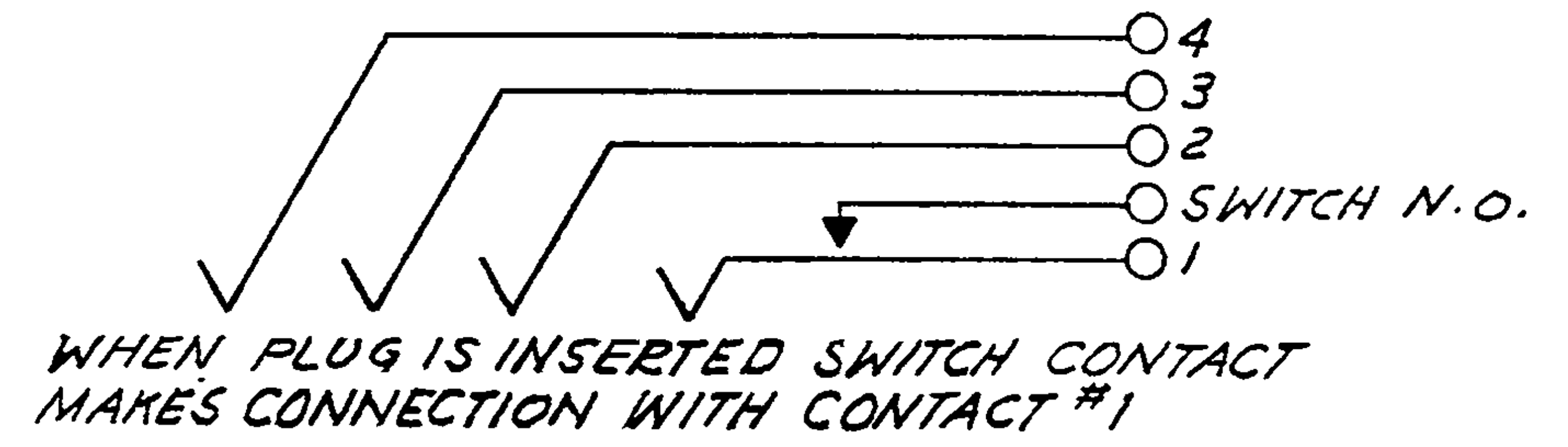
NOTES: -

1. SWITCH-TERMINAL & TERMINAL #1 ARE CLOSED WHEN TELEPHONE PLUG IS ASSEMBLED IN JACK.
2. TERMINALS #1, 2, 3 & 4 TO BE BERYL COPPER. SWITCH-TERMINAL TO BE BRASS.
3. ALL TERMINALS FINISHED PER QQ-N-290 TYPE I CLASS III NICKEL. SWITCH-TERMINAL TO BE GOLD FLASHED PER MIL-G-45204 TYPE II.
4. ASSEMBLY TO MAKE CONTACT WITH TELEPHONE PLUGS TYPE U-93/U, U-174/U & NEXUS TP-120



SWITCH-TERMINAL
 TERMINAL (4 REQ'ED)
 HOUSING-GENERAL PURPOSE PHENOLIC-COLOR BLACK
 $\frac{11}{16}$ -24 UNEF-2A
 MOUNTING BUSHING-ALUMINUM-BLACK ANODIZE

JACK SCHEMATIC



TERMINAL DETAIL

B	NOTE WAS FULL THREADED TO WITHIN .060	12/4/90	
A	REDRAWN	8-18-69	
LET.	REVISION	DATE	CHK.

DWN. BY <i>M. Ambro</i>	DATE 8-18-69	MATERIAL	
CHECKED BY		FINISH	
APPR. BY		WEIGHT	SCALE 2:1
UNLESS OTHERWISE SPECIFIED DIMENSIONS ARE IN INCHES TOLERANCES ON FRACTIONS DECIMALS ANGLES		TITLE TELEPHONE JACK FOUR CONDUCTOR WITH N.O. SWITCH	
		DO NOT SCALE DWG.	SHEET OF
		NEXUS STAMFORD, CONN.	
		SIZE	DWG. NO.
		B	TJGT-120

X-ON Electronics

Largest Supplier of Electrical and Electronic Components

Click to view similar products for [Phone Connectors](#) category:

Click to view products by [Amphenol](#) manufacturer:

Other Similar products are found below :

[M444B](#) [6J1041A](#) [R4F](#) [E12BPKG](#) [ECP4PKG](#) [161-3502L-E](#) [MT333X](#) [171-0350-EX](#) [171-101A-EX](#) [171-3325-EX](#) [176S](#) [NC3MG-V](#)
[NYS228G](#) [P10834](#) [P2380](#) [P2381X](#) [P2411X](#) [P2412](#) [P2724](#) [JM2PB-AU BULK](#) [9144](#) [S2674](#) [280L](#) [163-156N-2-E](#) [163-158N-2-E](#) [171-3308-](#)
[EX](#) [171-3500-E](#) [2501FT](#) [CMT335](#) [M10662](#) [330Q](#) [RJ5VI-S](#) [40116](#) [TM1R-AU](#) [TM2PBMJ-AU](#) [TM2PJ-AU](#) [TM2PJ-AU BULK](#) [4803.1351](#)
[49201](#) [49205](#) [TS3PBJ-AU](#) [TS3PBMJ-AU](#) [TT32BX](#) [54B](#) [40112](#) [40205](#) [XMT332B](#) [52170017-331](#) [570](#) [NM3](#)