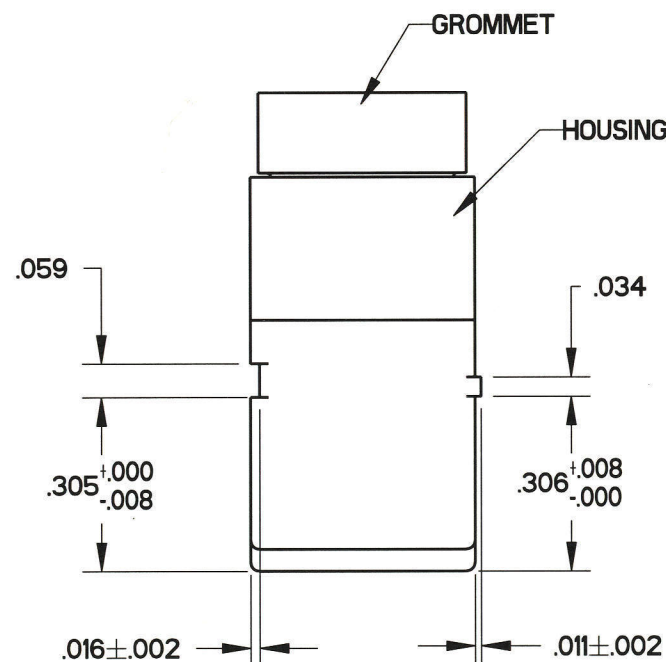
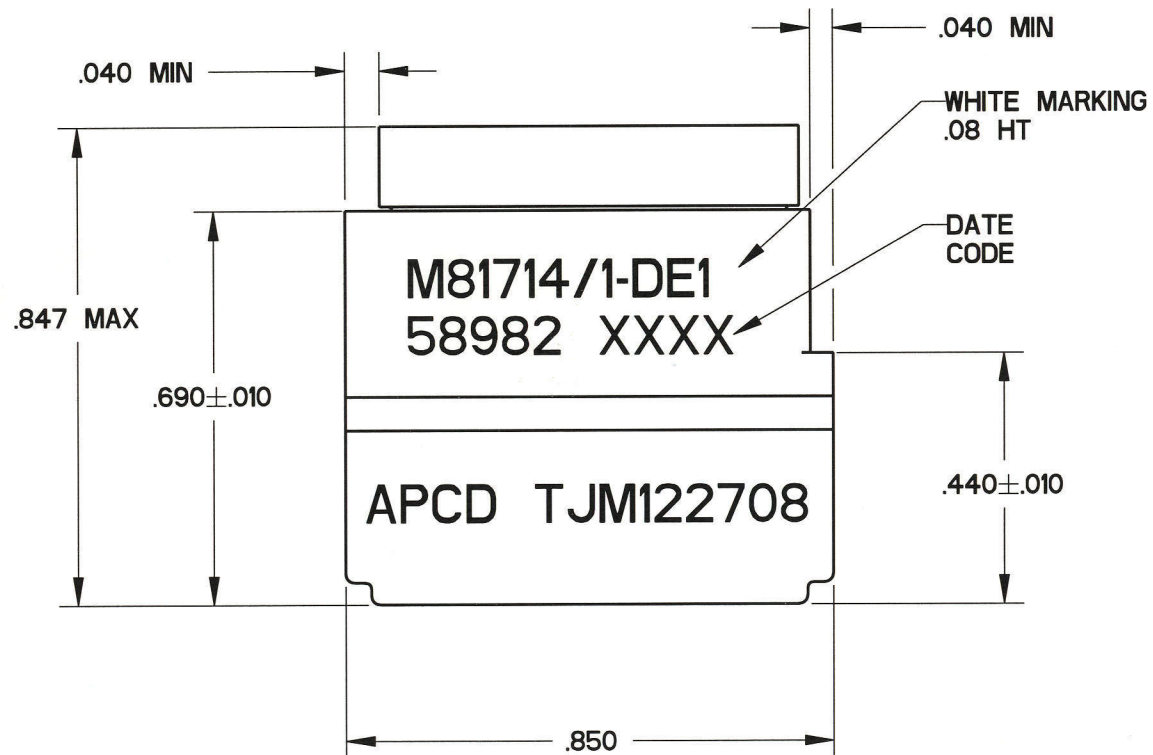
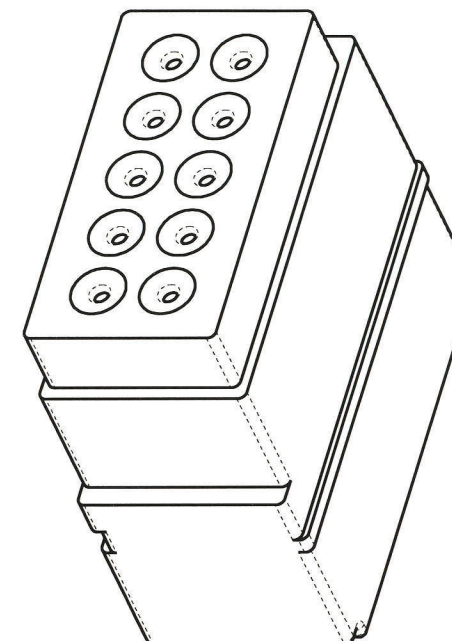
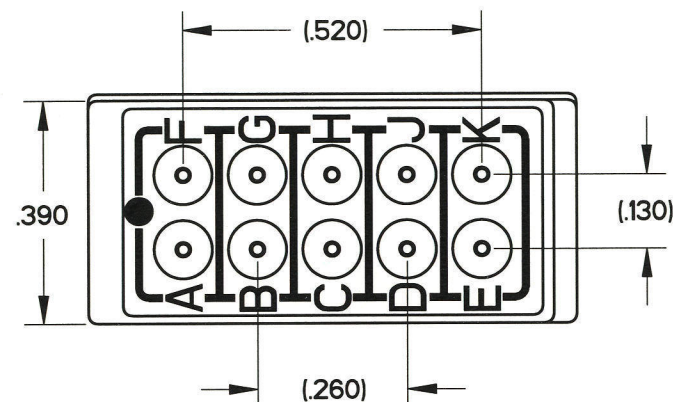


REV	ECN	APP'D
-	5814	ST 4-13-06



- NOTES:
- PERFORMANCE:
 - A) MEETS PERFORMANCE AND ENVIRONMENTAL REQUIREMENTS OF MIL-T-81714/1
 - B) MODULES ARE TO BE MOUNTED INTO RACK ASSEMBLY M81714/5 OR/16 OR COMMERCIAL EQUIVALENT.
 - C) DIELECTRIC WITHSTANDING VOLTAGE: 1500 VRMS AT SEA LEVEL, 200 VRMS AT 100,000 FEET.
 - D) OPERATING TEMPERATURE: -65 C TO 200 C.
 - E) CURENT RATING: 5 AMPS
 - F) VIBRATION AND SHOCK: MIL-T-81714 PARAGRAPH 3.5.5 AND 3.5.8
 - MATERIALS:
 - A) HOUSING - POLYETHERIMIDE, COLOR: BLACK.
 - B) GROMMET - SILICONE ELASTOMER, COLOR: BLUE
 - C) INTERNAL CONTACTS - COPPER ALLOY, GOLD PLATED
 - D) CONTACT RETAINERS - STAINLESS STEEL.

APCD P/N	SUPPLIED				MARKING		CLASS	
	PINS		PLUGS		APCD QPL NO.	MIL. NO		
	QTY.	MIL. P/N	APCD P/N	QTY.	APCD P/N			
TJM122608	--	--	--	--	--	TJM122708	M81714/1-DE1	D
TJM122708	11	M39029/1-100	CNP068000	2	CNA032401			

DIMENSIONS ANSI Y14.5M UNITS: INCHES Pro/E FILE	TOLERANCES .XX ±0.01 .XXX ±0.005 ANGLES ±2.0°	PROJECTION 	Amphenol Pcd SPECIFICATION DRAWING		TITLE TERMINAL JUNCTION MODULE SZ 22 FEEDBACK, DE1		
			DRWN A. SWEEZEY 03/09/06	ENGR R. SWAINE 03/01/06		SIZE B	DWG NO. TJM122608
ORIGINAL 	THIS DOCUMENT CONTAINS PROPRIETARY INFORMATION WHICH IS THE CONFIDENTIAL PROPERTY OF AMPHENOL PCD INC., PEABODY, MA		APPD <i>Trade TR 4-13-06</i>		CODE: 58982	SCALE: 3:1	SHEET 1 OF 1

TJM122608

TJM122608

X-ON Electronics

Largest Supplier of Electrical and Electronic Components

Click to view similar products for [Terminal Junction Modules](#) category:

Click to view products by [Amphenol](#) manufacturer:

Other Similar products are found below :

[00175530502](#) [591900-1](#) [M81714/60-12-01](#) [M81714/60-20-06](#) [M81714/65-12-1](#) [YCTD160E01FC108000](#) [YCTJ122E01CC015000](#)
[YHLZG16-2](#) [YHLZR-45](#) [YHLZ16-4](#) [YHLZ16-2](#) [YCTJ420E021C098000](#) [M81714/65-20-2](#) [YHLZ-8](#) [DL60R14-15SN-090-6106](#)
[00111520902](#) [YHLZG16-1](#) [00111520202](#) [TBH120450](#) [00176590602](#) [TJSE20506](#) [MX2000](#) [00172021000](#) [00111820202](#)
[ZPF000000000020152](#) [FMJ11E20-06G](#) [M81714/60-16-02](#) [TJSE20110](#) [00175510702](#) [00176520402](#) [00175520802](#) [TJSE20100](#) [TJT701020](#)
[TJSE20111](#) [00176520502](#) [00175530302](#) [00175112000](#) [00176520202](#) [TJSE22843](#) [00175510802](#) [00175521102](#) [00111521103](#)
[CTD1062E05A-513](#) [M81714/61-0W](#) [TJSE20703](#) [BDX016016-2](#) [BDX016017-2](#) [CTD126E01A-513-LC](#) [TJSE20526](#) [00176590102](#)