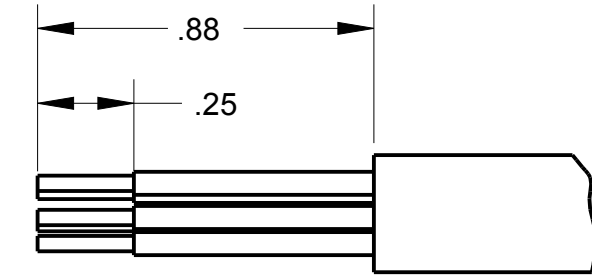
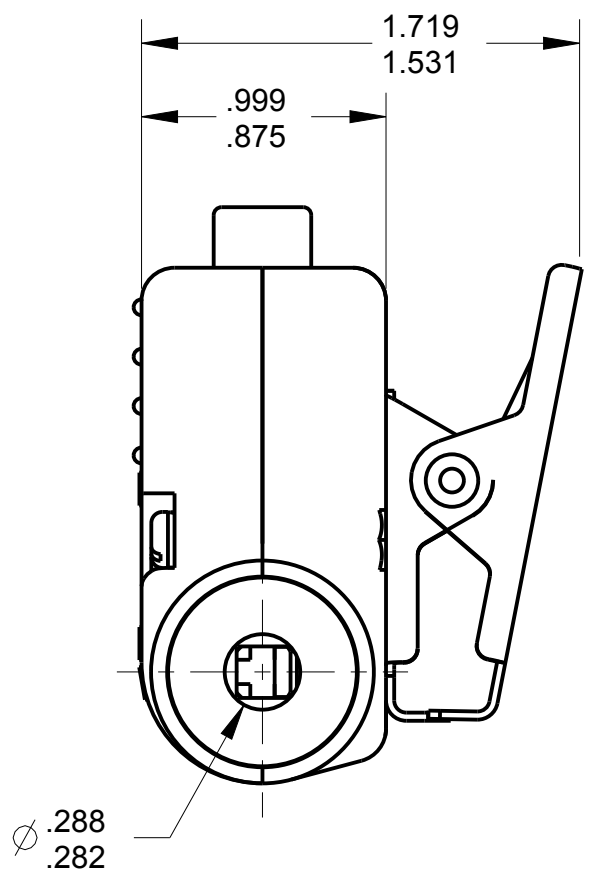
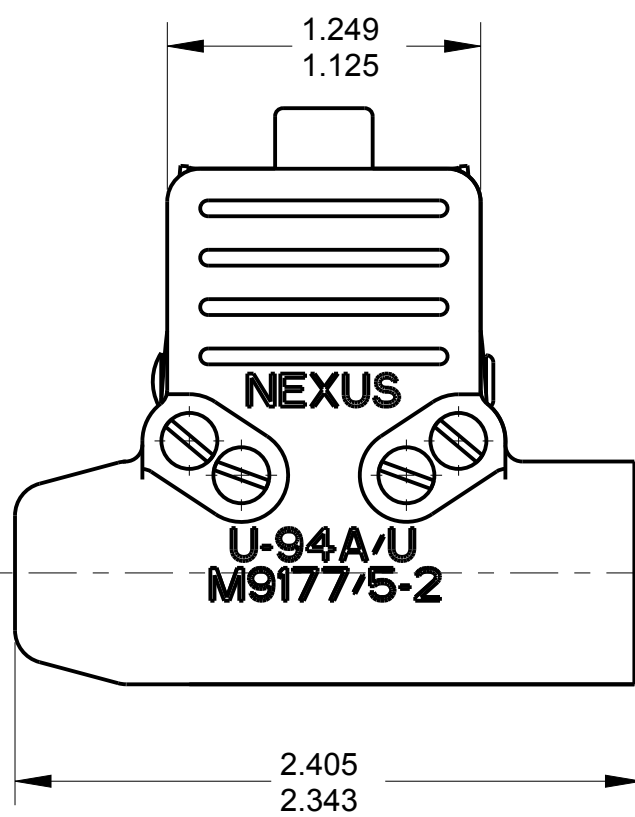
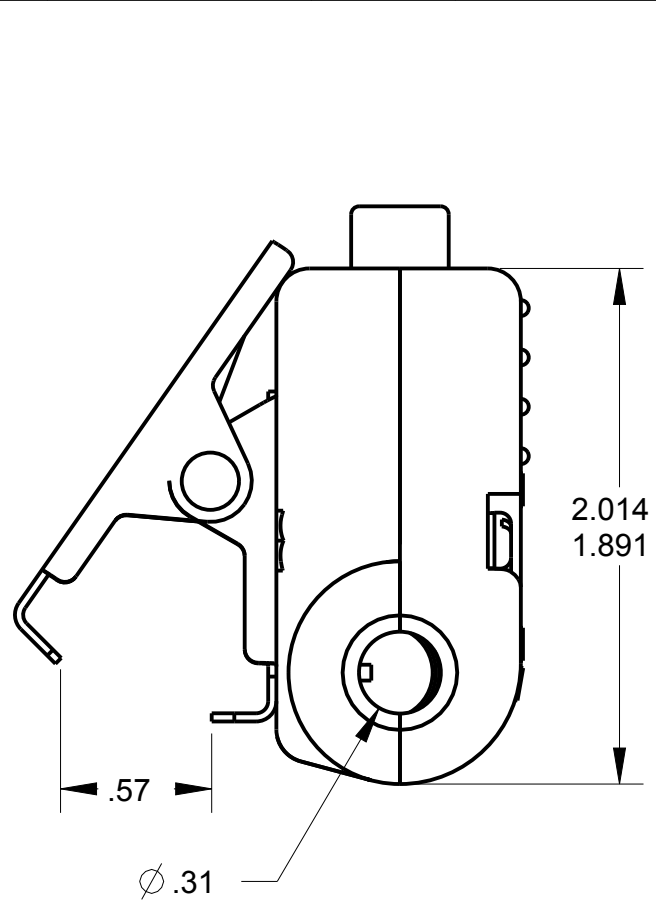
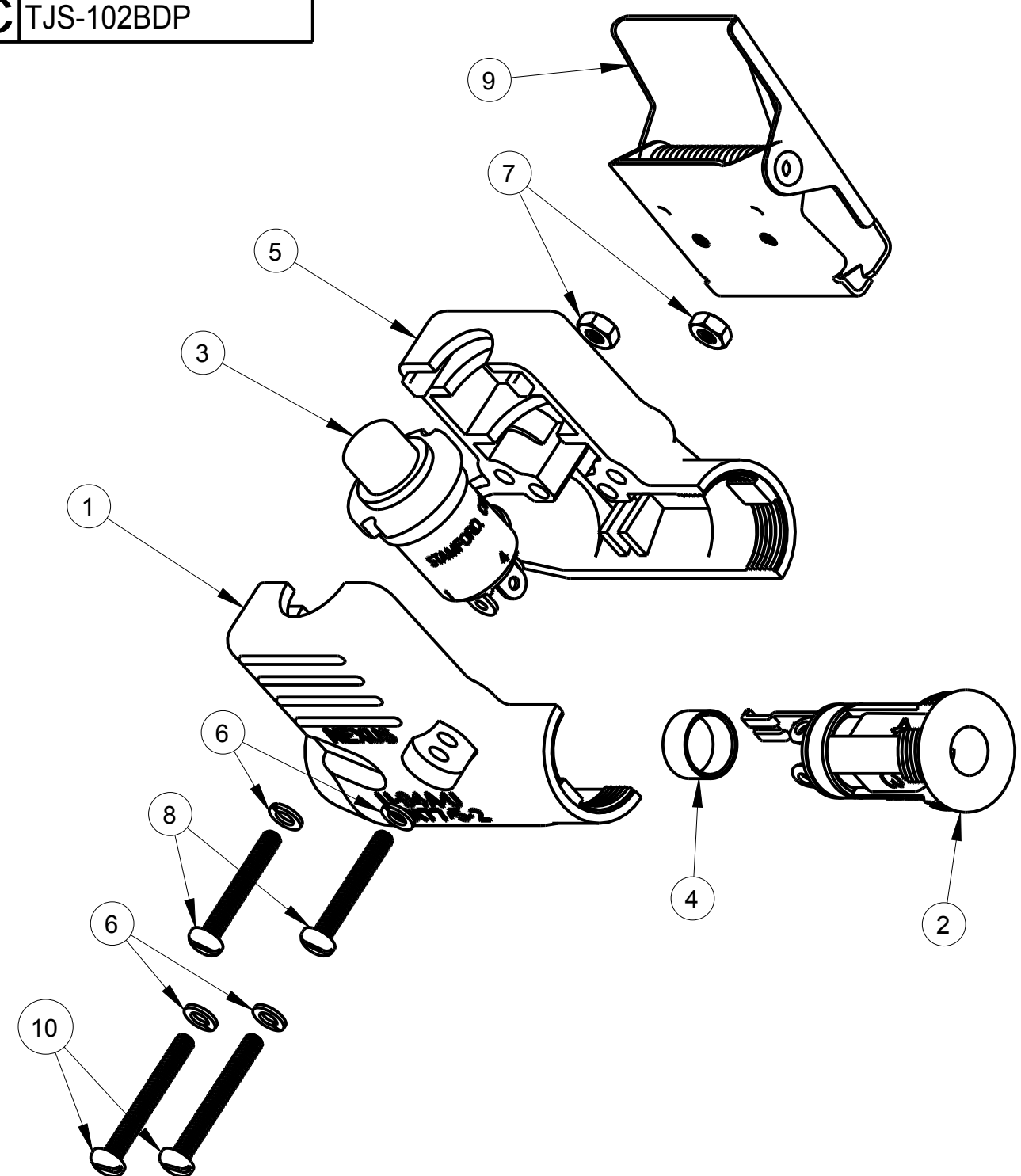


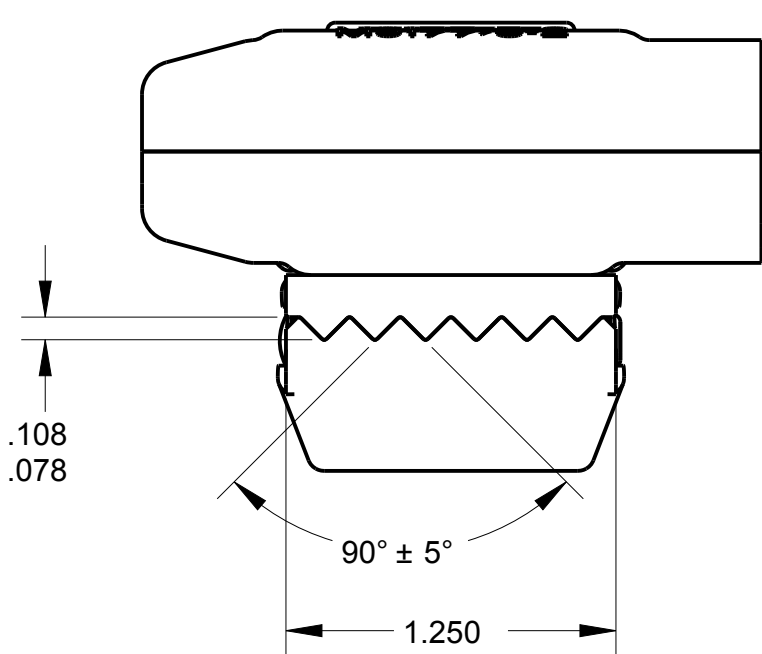
ITEM #	PART #	QTY	DESCRIPTION
1	TJS-102-1	1	SHELL HALF, RIBBED
2	TJS-102-3	1	JACK ASSEMBLY
3	NX307BB1B	1	SWITCH MOMENTARY (DPST, NO)
4	TP-102-20	1	CRIMP, SLEEVE (ϕ .39 X .20)
5	TJS-102-2	1	SHELL, HALF - SMOOTH
6	TJ-106-13B	4	#4 WASHER, LOCK, BLACK
7	TJ-106-14	2	NUT, #4-40 SPECIAL
8	TJS-102-15B	2	SCREW, BLACK
9	TJS-104-3AB	1	CLIP ASSEMBLY, BLACK
10	TJS-102-11B	2	SCREW, BLACK

NOTES:
 1) THIS CONNECTOR MEETS THE GENERAL REQUIREMENTS OF M9177, UNLESS OTHERWISE SPECIFIED
 2) EACH PART SHALL BE MARKED WITH U-94A/U & M9177/5-2
 3) CRIMPING TOOLS USE M22520/S-01 HAND TOOL W/CRIMP DIE M22520/5-29, M22520/5-3S OR M22520/5-5S
 4) MATING CONNECTORS M9177/1-1, & M9177/2-1

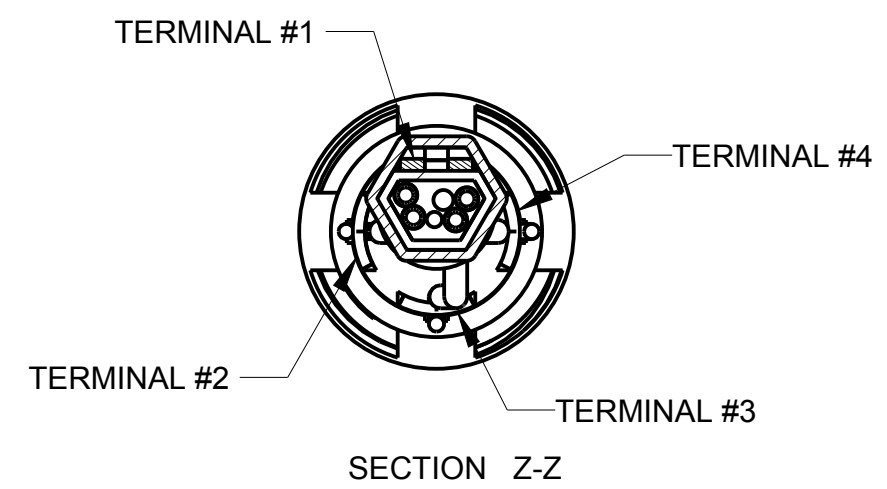
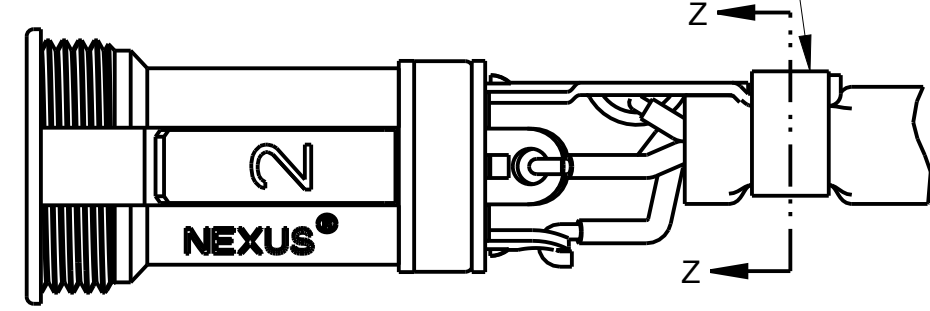
C TJS-102BDP



RECOMMENDED CABLE:
 WM085/U (5-COND)
 FOR USE WITH U-94A/U



HEXED CRIMP SLEEVE
 SEE NOTE #3



THIS DOCUMENT CONTAINS PROPRIETARY INFORMATION OF NEXUS, INCORPORATED AND SUCH INFORMATION MAY NOT BE DISCLOSED TO OTHERS FOR ANY PURPOSE OR USED FOR ANY PURPOSE WITHOUT THE WRITTEN CONSENT OF NEXUS.

DWN.BY HR		DATE 5/27/15		MATERIAL	
CHECKED BY		DATE		FINISH	
APPR.BY		DATE		WEIGHT _____ SCALE = 1.00 :1	
UNLESS OTHERWISE SPECIFIED DIMENSIONS ARE IN INCHES & OR (mm)				TITLE CONNECTOR AUDIO	
TOLERANCES:				AIRBORNE JACK, 4 CONTACT	
DECIMAL:				DPST, NO, SWITCH,	
±.XX(X.X) ±.XXX(X.XX) ±.XXXX(X.XXX)				DO NOT SCALE DWG. SHEET 1 OF 1	
±.0X(0.X) ±.00X(0.0X) ±.000X(0.0XX)				SIZE DWG. NO.	
FRACTION: ±X/XX ± X/XX				C TJS-102BDP	
ANGLES: ±X° ±X°					

LET.	REVISION	CN #	DATE	CHK
A	NEW RELEASE	224	5/27 2015	HR

X-ON Electronics

Largest Supplier of Electrical and Electronic Components

Click to view similar products for [Phone Connectors](#) category:

Click to view products by [Amphenol](#) manufacturer:

Other Similar products are found below :

[M444B](#) [6J1041A](#) [R4F](#) [E12BPKG](#) [ECP4PKG](#) [161-3502L-E](#) [MT333X](#) [171-0350-EX](#) [171-101A-EX](#) [171-3325-EX](#) [176S](#) [NC3MG-V](#)
[NYS228G](#) [P10834](#) [P2380](#) [P2381X](#) [P2411X](#) [P2412](#) [P2724](#) [JM2PB-AU BULK](#) [9144](#) [S2674](#) [280L](#) [163-156N-2-E](#) [163-158N-2-E](#) [171-3308-](#)
[EX](#) [171-3500-E](#) [2501FT](#) [CMT335](#) [M10662](#) [330Q](#) [RJ5VI-S](#) [40116](#) [TM1R-AU](#) [TM2PBMJ-AU](#) [TM2PJ-AU](#) [TM2PJ-AU BULK](#) [4803.1351](#)
[49201](#) [49205](#) [TS3PBJ-AU](#) [TS3PBMJ-AU](#) [TT32BX](#) [54B](#) [40112](#) [40205](#) [XMT332B](#) [52170017-331](#) [570](#) [NM3](#)