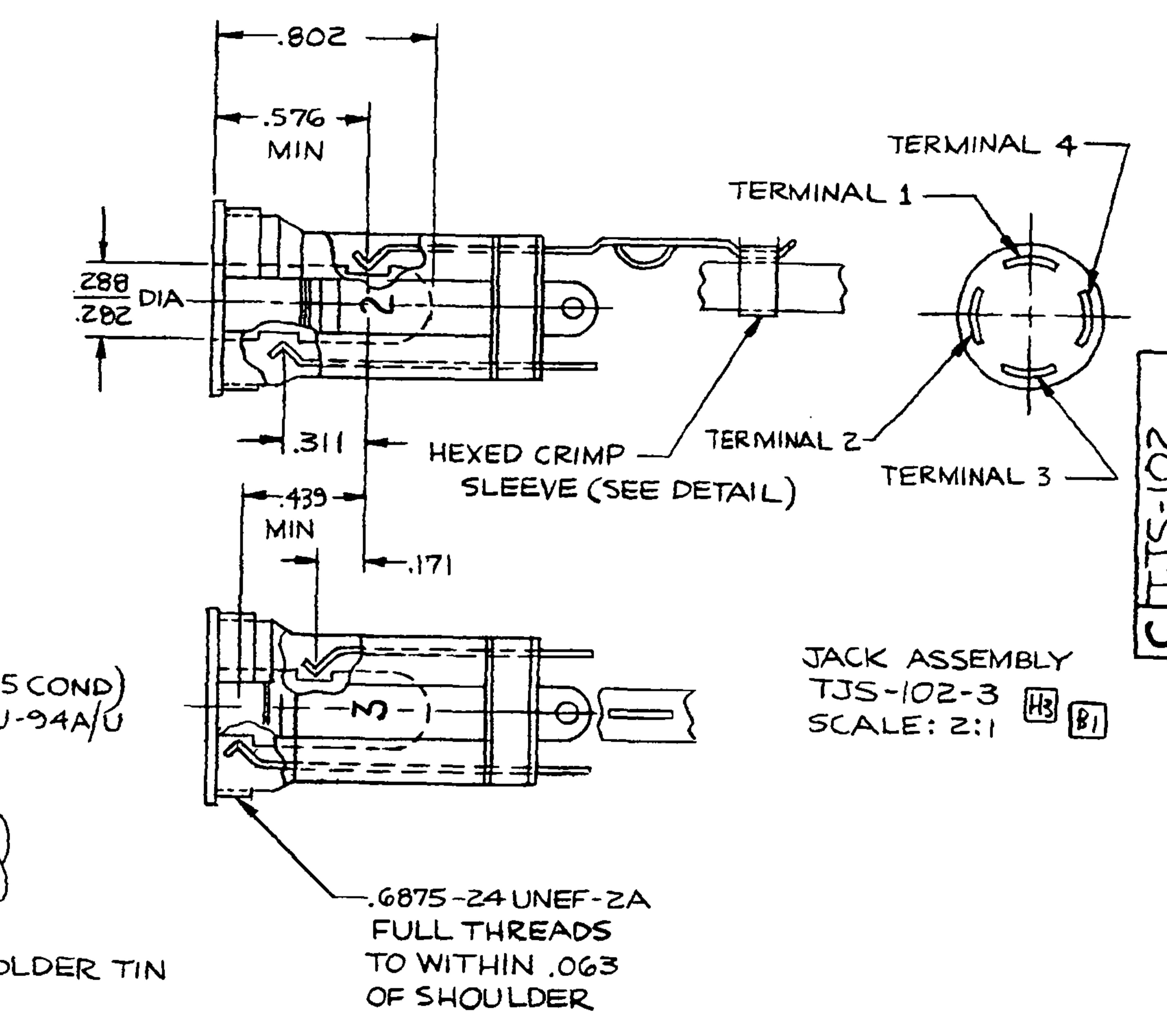
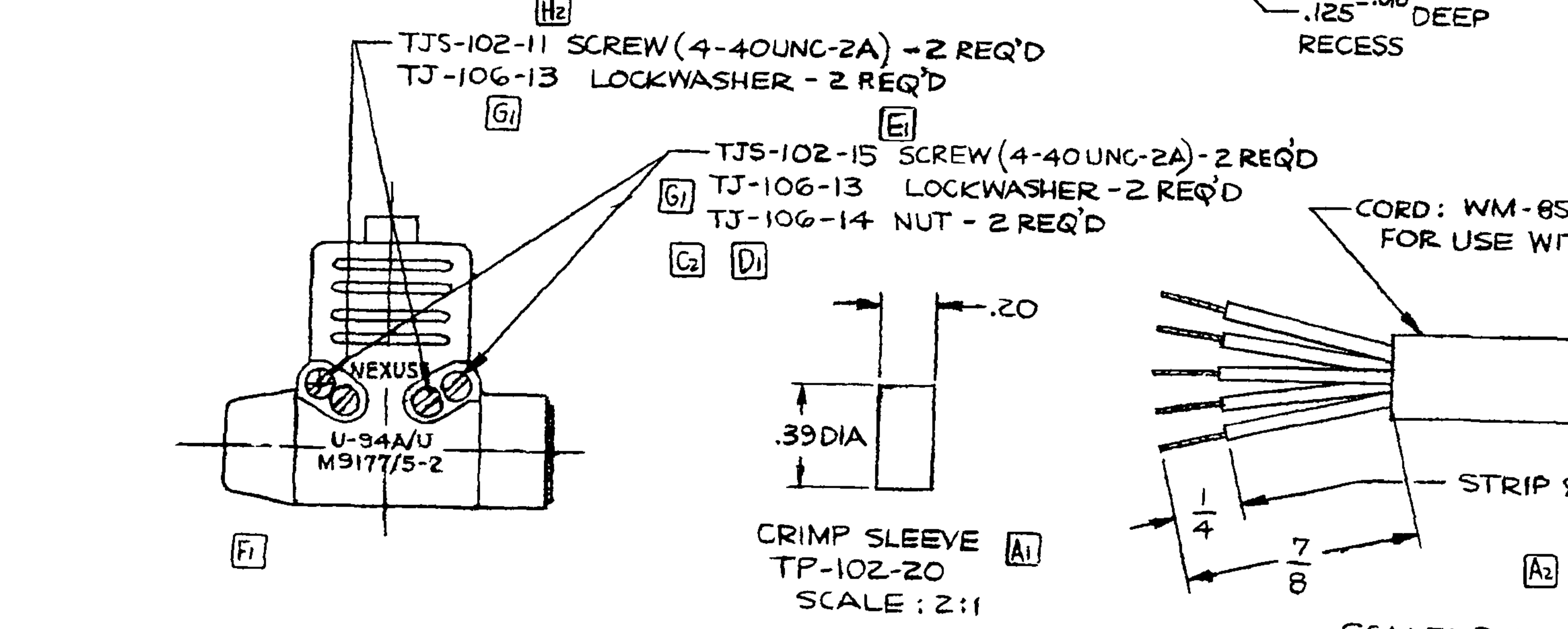
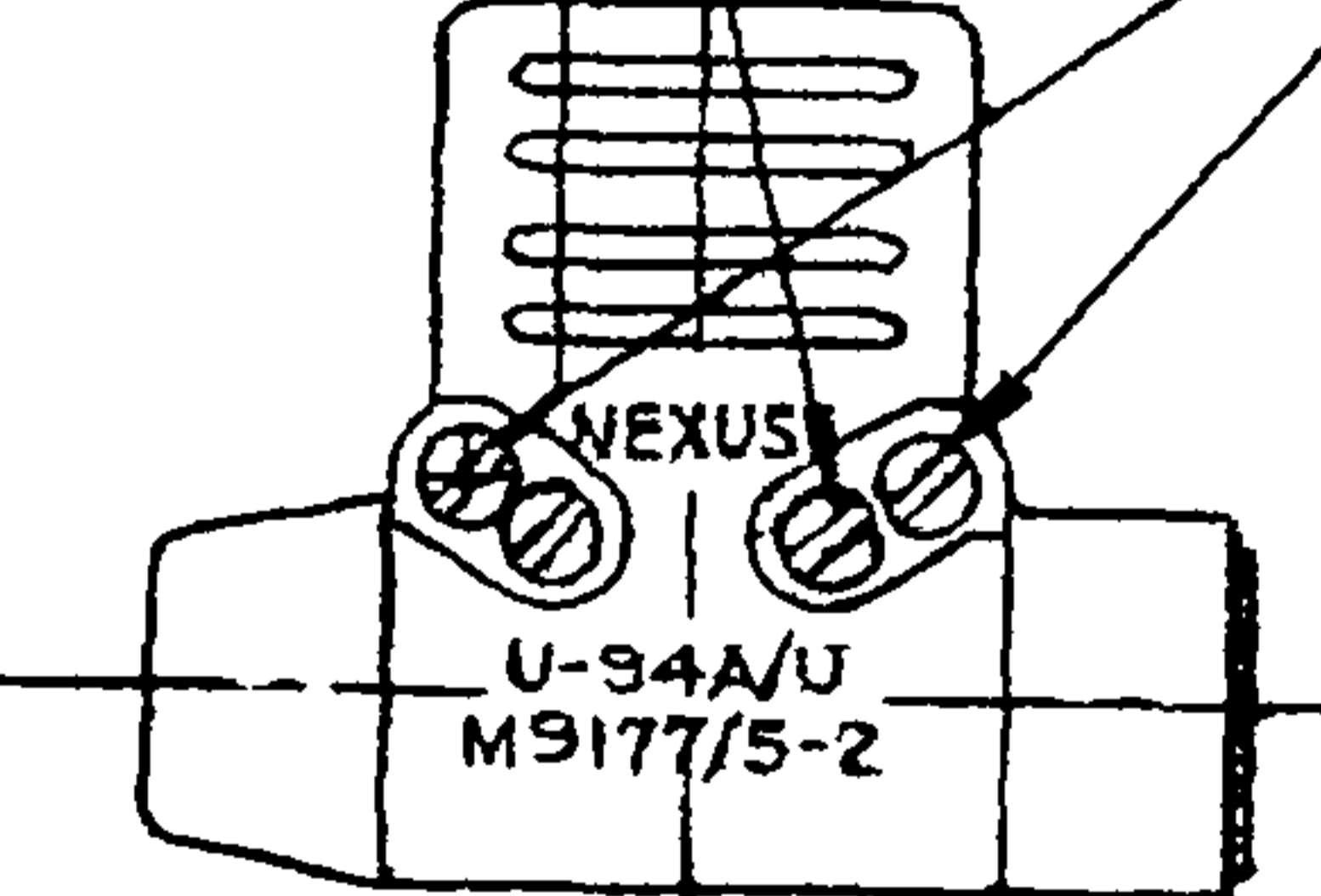


- NOTES:
1. EACH PART SHALL BE MARKED WITH U-94A/U & M9177/5-2
 2. PART SHALL BE ON QUALIFIED PRODUCT LIST FOR MIL-C-9177/5A
 3. CRIMPING TOOLS USE M22520/5-01 HAND TOOL W/CRIMP DIE M22520/5-29, M22520/5-35 OR M22520/5-55.
 4. MATING CONNECTORS M9177/1-1 & M9177/2-1.



- CLIP ASSEMBLY TJS-104-3A
- SWITCH PER MIL-C-8805/3 MS25089-4B
- JAW SHOWN IN OPEN POSITION
- SHELL, HALF TJS-102-1
- SHELL, HALF TJS-102-2
- TJS-102-11 SCREW (4-40 UNC-2A) - 2 REQ'D
- TJ-106-13 LOCKWASHER - 2 REQ'D
- TJS-102-15 SCREW (4-40 UNC-2A) - 2 REQ'D
- TJ-106-13 LOCKWASHER - 2 REQ'D
- TJ-106-14 NUT - 2 REQ'D
- CORD: WM-85/U (5 COND) FOR USE WITH U-94A/U
- CRIMP SLEEVE TP-102-20 SCALE: 2:1



404 K ADDED TOLERANCE 6/19/85

0279	J	1) WAS M9177/5-1	9/14/87																	
	H	2) TJS-102-3 WAS TJS-102-17 3) TJS-102-11 WAS TJS-102-9 4) TJS-102-5 WAS TJS-102-4	3/4/88	C	4) REMOVED .312 DIA 3) ADDED DIM 2) ADDED HARDWARE 1) .625 WAS .894	1/1/87														
	G	1) WAS TJS-102-10, LKWSH 1-9-80	1-9-80																	
	F	MARKING WAS M9177/5-1	5-19-80																	
	E	1) PIN WAS TJS-102-13	12-1-87																	
	D	1) TJ-106-14 WAS TJS-106-1	10-7-87																	

NEXUS
STAMFORD, CONN.

TITLE CONNECTOR, AUDIO AIRBORNE, JACK, SWITCH, 4 CONTACT

SCALE 1:1 & NOTED

DO NOT SCALE DWG.

SHEET OF

C TJS-102

X-ON Electronics

Largest Supplier of Electrical and Electronic Components

Click to view similar products for [Phone Connectors](#) category:

Click to view products by [Amphenol](#) manufacturer:

Other Similar products are found below :

[M444B](#) [6J1041A](#) [R4F](#) [E12BPKG](#) [ECP4PKG](#) [161-3502L-E](#) [MT333X](#) [171-0350-EX](#) [171-101A-EX](#) [171-3325-EX](#) [176S](#) [NC3MG-V](#)
[NYS228G](#) [P10834](#) [P2380](#) [P2381X](#) [P2411X](#) [P2412](#) [P2724](#) [JM2PB-AU BULK](#) [9144](#) [S2674](#) [280L](#) [163-156N-2-E](#) [163-158N-2-E](#) [171-3308-](#)
[EX](#) [171-3500-E](#) [2501FT](#) [CMT335](#) [M10662](#) [330Q](#) [RJ5VI-S](#) [40116](#) [TM1R-AU](#) [TM2PBMJ-AU](#) [TM2PJ-AU](#) [TM2PJ-AU BULK](#) [4803.1351](#)
[49201](#) [49205](#) [TS3PBJ-AU](#) [TS3PBMJ-AU](#) [TT32BX](#) [54B](#) [40112](#) [40205](#) [XMT332B](#) [52170017-331](#) [570](#) [NM3](#)