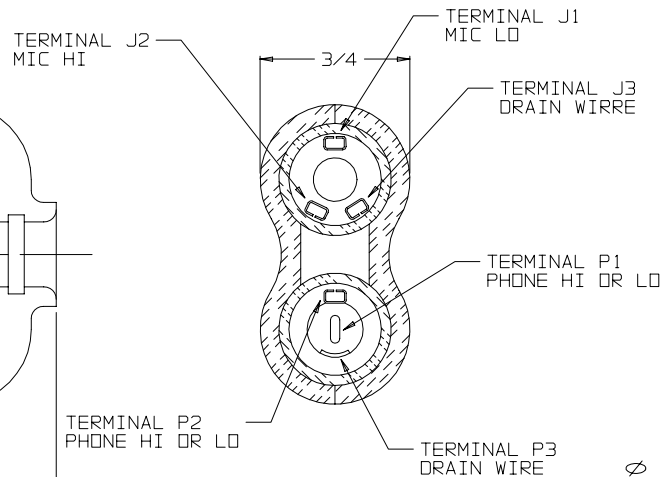
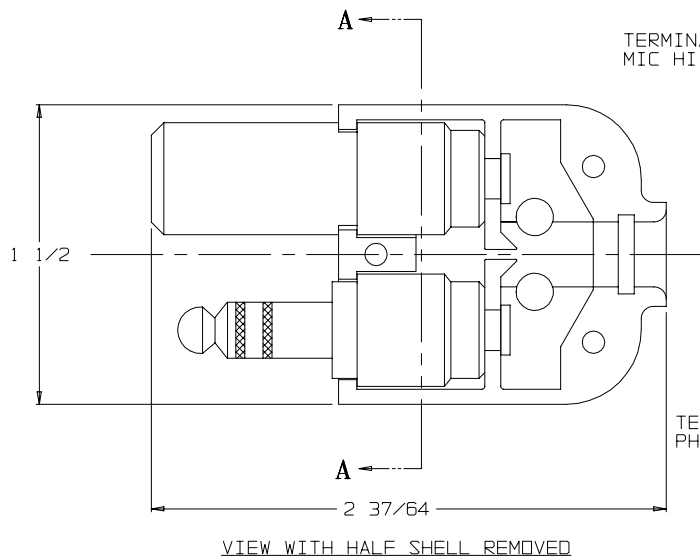
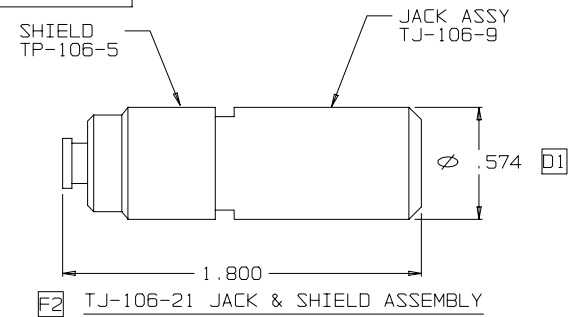


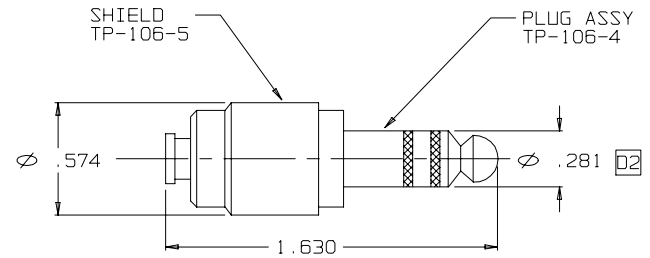
C TP-106



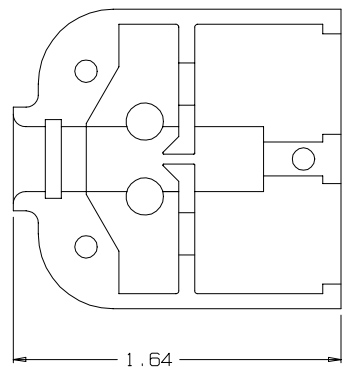
SECTION A-A
SEE NOTE 2



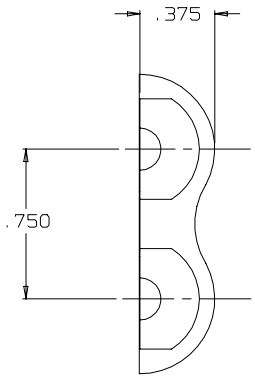
F2 TJ-106-21 JACK & SHIELD ASSEMBLY



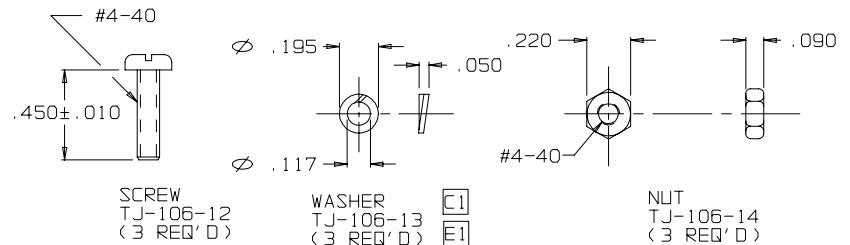
F2 TP-106-10 PLUG & SHIELD ASSEMBLY



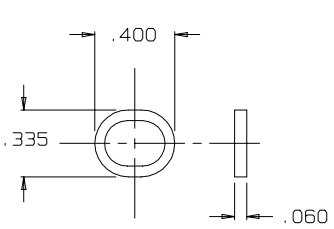
SHELL, HALF
TP-106-6
(2 REQ'D)



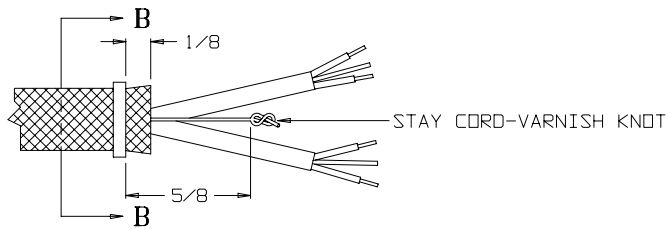
SECTION B-B
STRAIN RELIEF CLAMP TJ-106-10A AFTER CRIMPING
SCALE: 4:1



SCREW TJ-106-12 (3 REQ'D)
WASHER TJ-106-13 (3 REQ'D)
NUT TJ-106-14 (3 REQ'D)



RING, STRAIN RELIEF
TJ-106-10A
(1 REQ'D)



- F1 NOTES:
1) ALL NICKEL PLATING SHALL BE OF SUFFICIENT THICKNESS TO PROVIDE CORROSION PROTECTION. (REF QQ-N-290-A, CLASS 1)
2) WIRING CALL OUTS ARE FOR REF ONLY

THIS DOCUMENT CONTAINS PROPRIETARY INFORMATION OF NEXUS, INCORPORATED AND SUCH INFORMATION MAY NOT BE DISCLOSED TO OTHERS FOR ANY PURPOSE OR USED FOR ANY PURPOSE WITHOUT THE WRITTEN CONSENT OF NEXUS.

F	2) ADDED P/N'S	240	8/13/96	LS	DWN. BY	EC	DATE	4/5/93	MATERIAL	SEE FIELD OF DRAWING		
E	1) MODIFIED NOTE 1&2	016	8/27/94	JRJ	CHECKED BY	RVC	DATE	6/2/96	FINISH	N/A		
D	2) .564 WAS .574 1) .574 WAS .547		4/17/90	RDJ	APPR. BY	L SMITH	DATE	9/13/96	WEIGHT	SCALE 2:1		
C	WASHER P/N WAS		4/8/96	RDJ	UNLESS OTHERWISE SPECIFIED TOLERANCES ON FRACTIONS DECIMALS ANGLES +/- 1/64 +/- .005					TITLE	TP-106 PLUG-TELEPHONE-BIAXIAL SHIELDED (6) CONDUCTOR	
B	ADDED SECTION B-B		6/5/96	RDJ						SIZE	DWG. NO.	
A	REDRAWN WAS D SIZE		3/7/96	RDJ						C		TP-106
LET.	REVISION	CN #	DATE	CHK.								DO NOT SCALE DWG.

X-ON Electronics

Largest Supplier of Electrical and Electronic Components

Click to view similar products for [Phone Connectors](#) category:

Click to view products by [Amphenol](#) manufacturer:

Other Similar products are found below :

[M444B](#) [6J1041A](#) [R4F](#) [E12BPKG](#) [ECP4PKG](#) [161-3502L-E](#) [MT333X](#) [171-0350-EX](#) [171-101A-EX](#) [171-3325-EX](#) [176S](#) [NC3MG-V](#)
[NYS228G](#) [P10834](#) [P2380](#) [P2381X](#) [P2411X](#) [P2412](#) [P2724](#) [JM2PB-AU BULK](#) [9144](#) [S2674](#) [280L](#) [163-156N-2-E](#) [163-158N-2-E](#) [171-3308-](#)
[EX](#) [171-3500-E](#) [2501FT](#) [CMT335](#) [M10662](#) [330Q](#) [RJ5VI-S](#) [40116](#) [TM1R-AU](#) [TM2PBMJ-AU](#) [TM2PJ-AU](#) [TM2PJ-AU BULK](#) [4803.1351](#)
[49201](#) [49205](#) [TS3PBJ-AU](#) [TS3PBMJ-AU](#) [TT32BX](#) [54B](#) [40112](#) [40205](#) [415](#) [XMT332B](#) [52170017-331](#) [570](#)