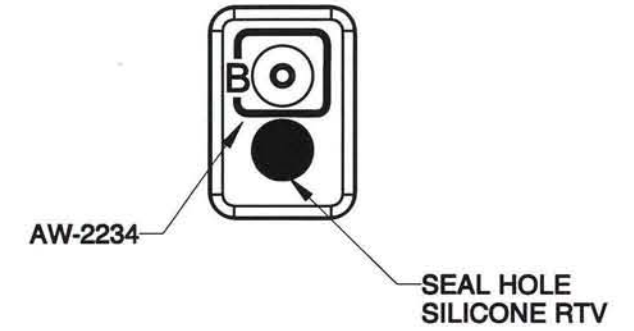
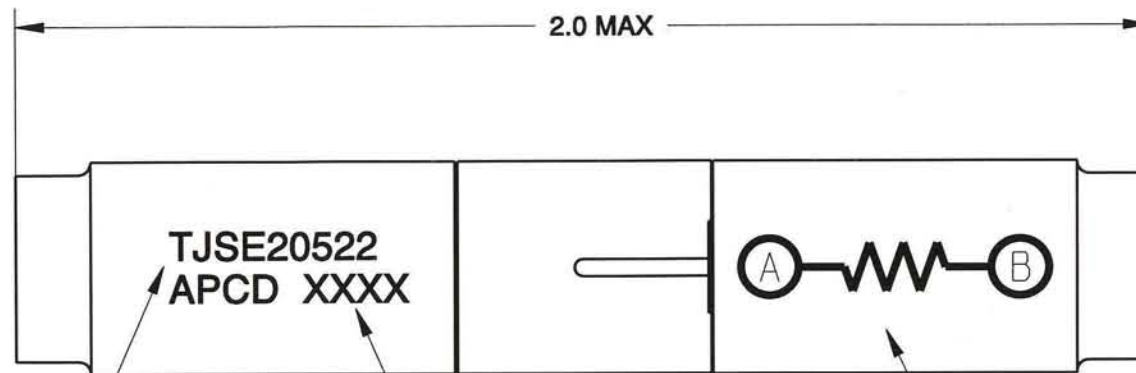
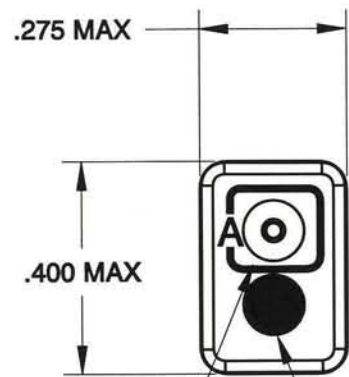


TJSE20522

REV	ECN	DESCRIPTION	APP'D
-	5831	RELEASE	<i>TT</i> 3-22-06

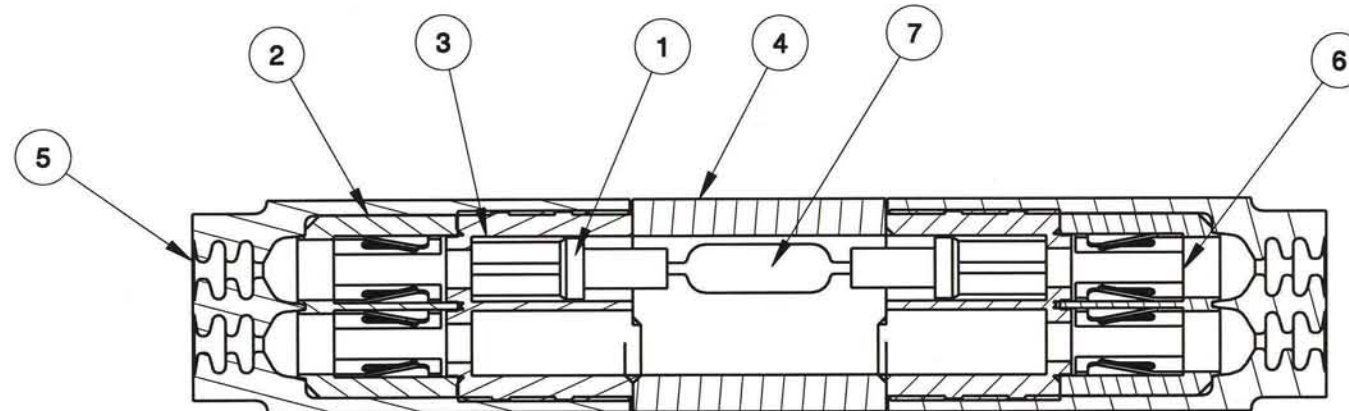


AW-2216
SEAL HOLE
SILICONE RTV

WHITE MARKING
.06 HT

DATE CODE

AW-2341



SECTION A-A

NOTES:

1. MATERIALS:
HOUSING: POLYETHERIMIDE, COLOR BLACK
GROMMET: SILICONE ELASTOMER, COLOR BLUE
INTERNAL CONTACT: COPPER ALLOY, GOLD PLATED,
PER MIL-G-45204, TYPE I, GRADE C, CLASS I.
CONTACT RETAINER: STAINLESS STEEL
2. SPLICE ACCEPTS (2) MATING M39029/1-101 CONTACTS
(NOT INCLUDED)
3. PART COMPLIES TO ALL REQUIREMENTS PER MIL-T-81714.
4. RESISTOR: 2K Ω , 1W

ID	PART #	DESCRIPTION	QTY
1	210210000	CONTACT TJE SZ 16/20	2
2	220019200	END CAP SIZE 22/20 DOUBLE SPLICE	2
3	220019400	MIDDLE HOUSING SIZE 22/20 DOUBLE SPLICE	2
4	220019410	MIDDLE HOUSING SIZE 20/22 TJSE BUSSED	1
5	270005401	GROMMET TJS SIZE 20/22 DOUBLE	2
6	310000101	CONTACT RETAINER, SIZE 20	4
7	320001520	RESISTOR, 2K OHM, 1W, G0012K000FS7080	1

DIMENSIONS	TOLERANCES	PROJECTION	TITLE		
ANSI Y14.5M UNITS: INCHES Pro/E FILE	.XX ± 0.01 .XXX ± 0.005 ANGLES $\pm 2.0^\circ$		WIRE SPLICE, ELECTRONIC RESISTOR, 2K Ω , 1/4W SIZE 20		
ORIGINAL NOT FOR CUSTOMER DISTRIBUTION	THIS DOCUMENT CONTAINS PROPRIETARY INFORMATION WHICH IS THE CONFIDENTIAL PROPERTY OF AMPHENOL PCD INC., PEABODY, MA	ENGR D. LANG 03/21/06 CHKD APPD <i>Frank TC 3/24/06</i>	SIZE B	DWG NO. TJSE20522	REV -
		CODE: 58982	SCALE: 3:1	SHEET 1 OF 1	

TJSE20522

TJSE20522

X-ON Electronics

Largest Supplier of Electrical and Electronic Components

Click to view similar products for [In-Line Junction Modules](#) category:

Click to view products by [Amphenol](#) manufacturer:

Other Similar products are found below :

[6131-202-1358P](#) [6131-207-1158P](#) [6131-207-1558P](#) [6131-207-1758P](#) [6131-209-2558P](#) [6131-217-1758P](#) [6131-258-1958P](#) [6131-261-2358P](#)
[6131-264-1358P](#) [6134-209-19149](#) [87.200.2201.3](#) [87.210.2204.3](#) [87.210.2211.3](#) [88083-10-6PN-L/C](#) [88083-10-6SN-LC](#) [88083-12-10PN-L/C](#)
[88083-14-15SN-LC](#) [88083-14-15SW-L/C](#) [88083-14-19SN-LC](#) [88083-14-4PN-LC](#) [88083-14-5SN-LC](#) [88083-16-26SN-LC](#) [88083-16-8PN-LC](#)
[88083-18-8SN-LC](#) [88083-20-41PN-LC](#) [S53209NR051](#) [TJSE20535](#) [TJSE20551](#) [TJSE20706](#) [YCTJ920E12NC098000](#) [6131-202-2358P](#) [6131-](#)
[205-2558P](#) [6131-208-2558P](#) [6131-258-2158P](#) [E162N2N0506R](#) [C81311N21](#) [87.200.2205.3](#) [A06C4L](#) [YCTJ920E06NC098000](#) [TJSE20128](#)
[TJSE20602](#) [TJSE22517](#) [TJSE20829](#) [TJSE20559](#) [YCTL-12V0030000000](#) [YCTN20D0003V003000](#) [TJSE22839](#) [TJSE22708](#) [S280W555700](#)
[TJSE20525](#)