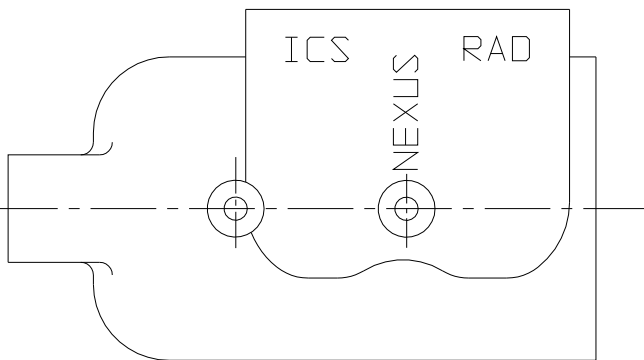
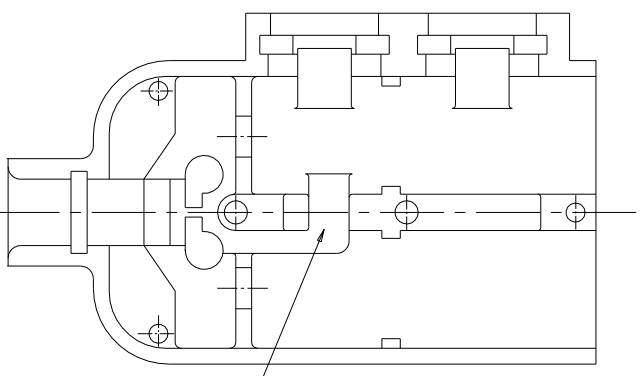
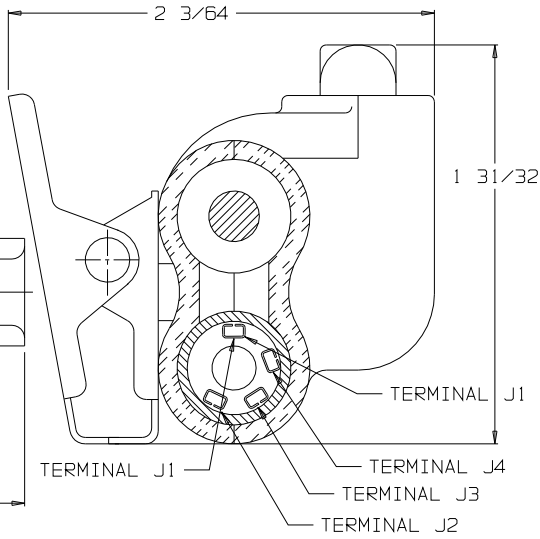


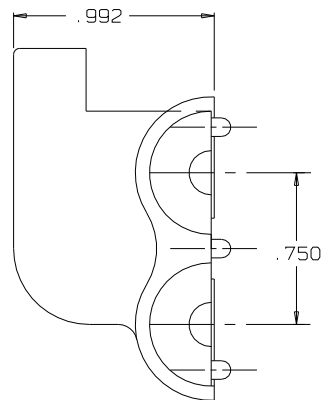
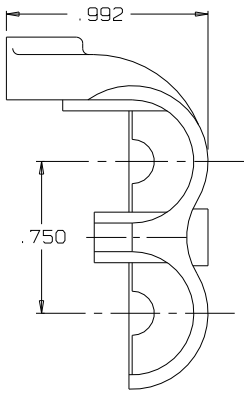
VIEW WITH HALF SHELL REMOVED



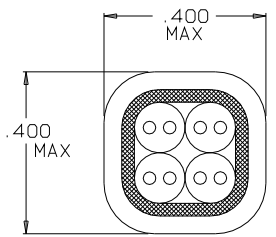
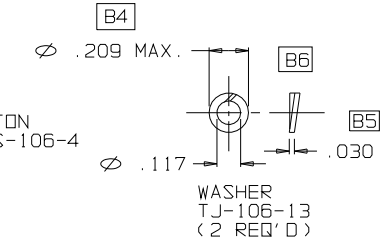
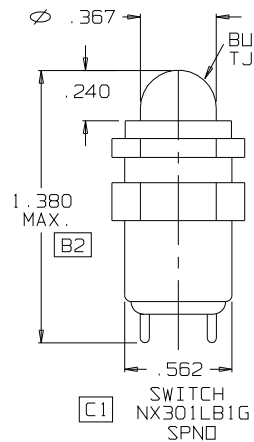
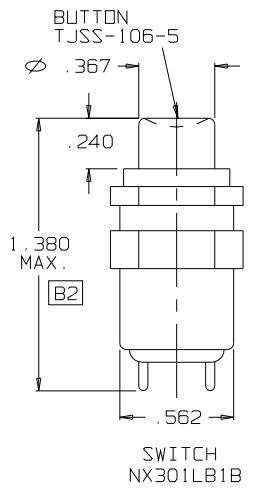
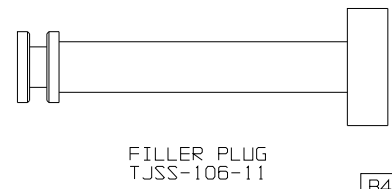
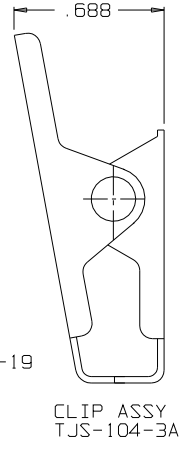
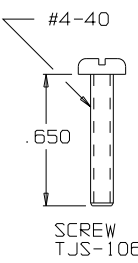
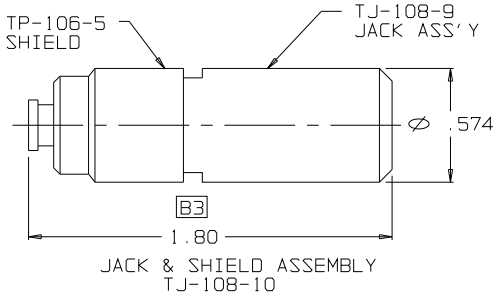
SHELL, HALF TJSS-106-1



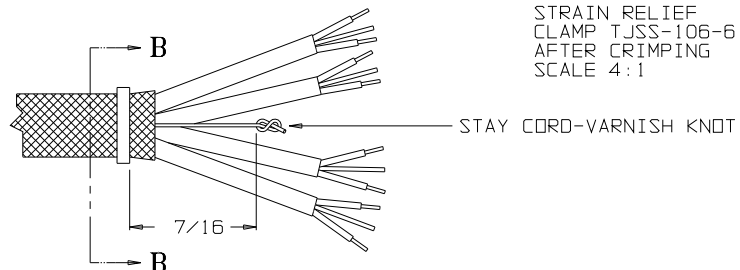
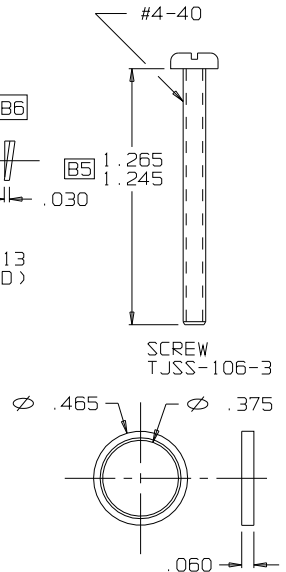
SECTION A-A



C TJSS-104



SECTION B-B
STRAIN RELIEF CLAMP TJSS-106-6 AFTER CRIMPING SCALE 4:1



THIS DOCUMENT CONTAINS PROPRIETARY INFORMATION OF NEXUS, INCORPORATED AND SUCH INFORMATION MAY NOT BE DISCLOSED TO OTHERS FOR ANY PURPOSE OR USED FOR ANY PURPOSE WITHOUT THE WRITTEN CONSENT OF NEXUS.

C		1) ADDED NX301LB1G TO SWITCH.	ECN053	3/30/10	GPH	DWN BY EWT	DATE 6/15/00	MATERIAL		
B		7) 1/32 WAS 1/64. ADDED 1/2 1/8 8) DELETE .050 9) WAS 1.000 10) WAS 1.000 11) WAS 1.000 12) WAS 2.38/64	ECN041	1/8/10	GPH	CHECKED BY	DATE	FINISH		
A		INITIAL RELEASE	ERNO07	6/16/00	EWT	APPR BY	DATE	WEIGHT	SCALE 2:1	
LET.		REVISION	CN #	DATE	CHK.	UNLESS OTHERWISE SPECIFIED DIMENSIONS ARE IN INCHES TOLERANCES ON FRACTIONS DECIMALS ANGLES		TITLE JACK-TELEPHONE-BIAxIAL SHIELDED (3) CONDUCTOR WITH TWO SWITCHES		SIZE
						4+- 1/32 +- .005 +- .015		DO NOT SCALE DWG.		SHEET 1 OF 1
								NEXUS STAMFORD, CONN		SIZE
								C		DWG. NO. TJSS-104

X-ON Electronics

Largest Supplier of Electrical and Electronic Components

Click to view similar products for [Phone Connectors](#) category:

Click to view products by [Amphenol](#) manufacturer:

Other Similar products are found below :

[M444B](#) [6J1041A](#) [R4F](#) [E12BPKG](#) [ECP4PKG](#) [161-3502L-E](#) [MT333X](#) [171-0350-EX](#) [171-101A-EX](#) [171-3325-EX](#) [176S](#) [NC3MG-V](#)
[NYS228G](#) [P10834](#) [P2380](#) [P2381X](#) [P2411X](#) [P2412](#) [P2724](#) [JM2PB-AU BULK](#) [9144](#) [S2674](#) [280L](#) [163-156N-2-E](#) [163-158N-2-E](#) [171-3308-](#)
[EX](#) [171-3500-E](#) [2501FT](#) [CMT335](#) [M10662](#) [330Q](#) [RJ5VI-S](#) [40116](#) [TM1R-AU](#) [TM2PBMJ-AU](#) [TM2PJ-AU](#) [TM2PJ-AU BULK](#) [4803.1351](#)
[49201](#) [49205](#) [TS3PBJ-AU](#) [TS3PBMJ-AU](#) [TT32BX](#) [54B](#) [40112](#) [40205](#) [XMT332B](#) [52170017-331](#) [570](#) [NM3](#)