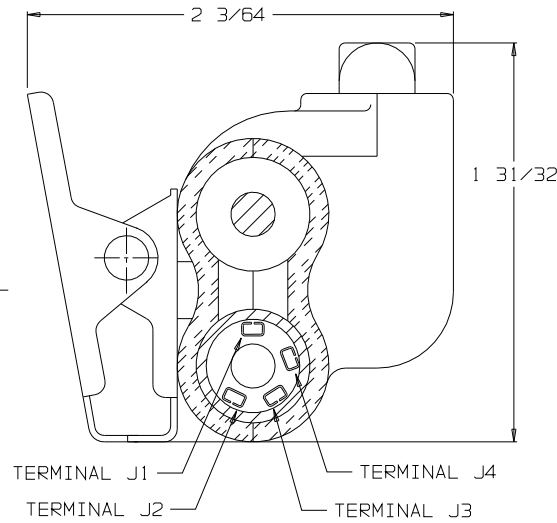
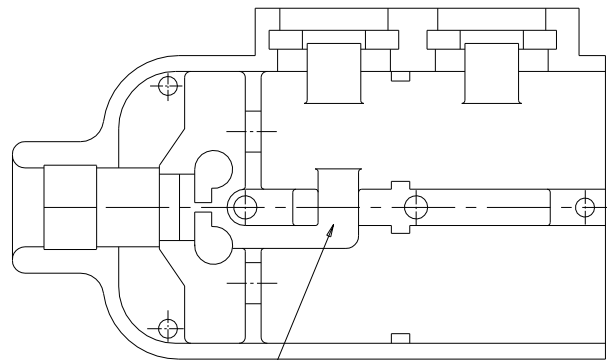
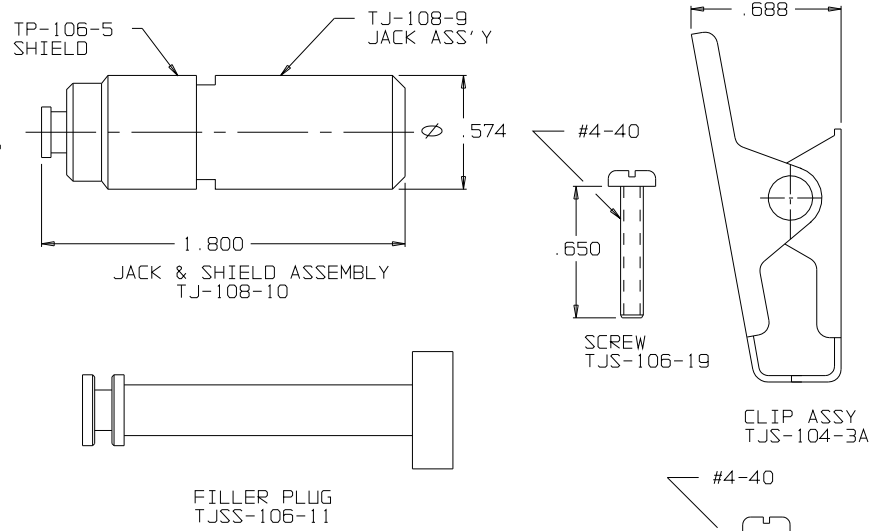


VIEW WITH HALF SHELL REMOVED



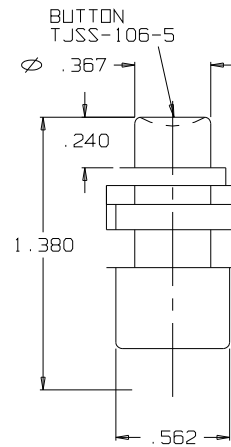
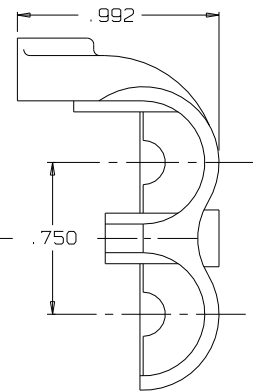
SECTION A-A

C TJSS-104HC



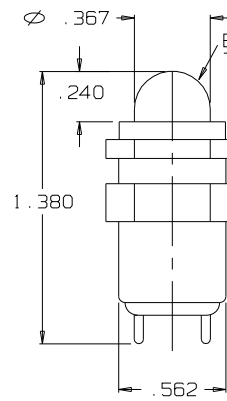
CHANNEL FOR SWITCH LEADS

SHELL, HALF TJSS-106-2HC



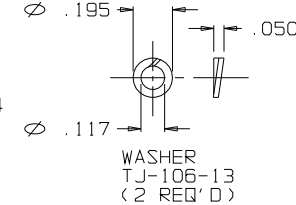
BUTTON TJSS-106-5

SWITCH SPND

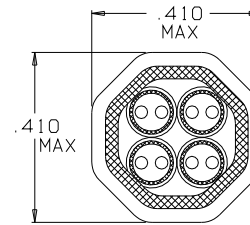


BUTTON TJSS-106-4

SWITCH SPND

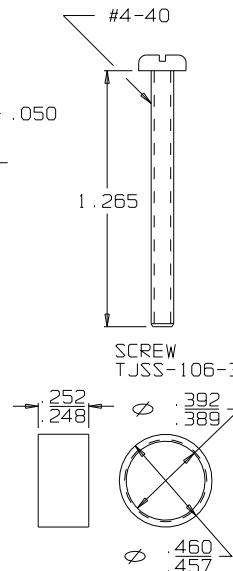


WASHER TJ-106-13 (2 REQ'D)



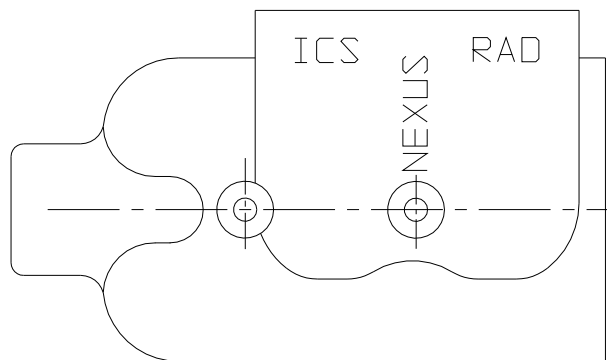
SECTION B-B

STRAIN RELIEF CLAMP TJSS-106-12 AFTER CRIMPING USE DANIELS HX4 CRIMP TOOL AND Y146 DIE SET SCALE 4:1

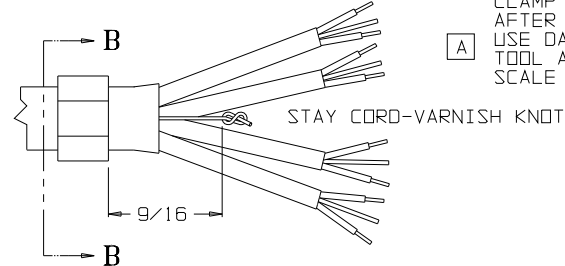


SCREW TJSS-106-3

RING, STRAIN RELIEF TJSS-106-12



SHELL, HALF TJSS-106-1HC



DWN BY	M. N. F.	DATE	12/14/94
CHECKED BY	L. SMITH	DATE	4/6/95
APPR BY	L. SMITH	DATE	4/6/95

MATERIAL	_____
FINISH	_____
WEIGHT	_____
SCALE	NONE

UNLESS OTHERWISE SPECIFIED DIMENSIONS ARE IN INCHES TOLERANCES ON FRACTIONS DECIMALS ANGLES ± 1/64 ± .005 —

TITLE	JACK-TELEPHONE-BIAxIAL SHIELOED (4) CONDUCTOR WITH TWO SWITCHES
DO NOT SCALE DWG.	SHEET 1 OF 1

THIS DOCUMENT CONTAINS PROPRIETARY INFORMATION OF NEXUS, INCORPORATED AND SUCH INFORMATION MAY NOT BE DISCLOSED TO OTHERS FOR ANY PURPOSE OR USED FOR ANY PURPOSE WITHOUT THE WRITTEN CONSENT OF NEXUS.

NEXUS STAMFORD, CONN

SIZE DWG. NO. **C TJSS-104HC**

A	ADD DANIELS HX4 CRIMP TOOL AND Y146 DIE SET	026	9/16/94	GPH
LET.	REVISION	CN #	DATE	CHK.

X-ON Electronics

Largest Supplier of Electrical and Electronic Components

Click to view similar products for [Phone Connectors](#) category:

Click to view products by [Amphenol](#) manufacturer:

Other Similar products are found below :

[M444B](#) [6J1041A](#) [R4F](#) [E12BPKG](#) [ECP4PKG](#) [161-3502L-E](#) [MT333X](#) [171-0350-EX](#) [171-101A-EX](#) [171-3325-EX](#) [176S](#) [NC3MG-V](#)
[NYS228G](#) [P10834](#) [P2380](#) [P2381X](#) [P2411X](#) [P2412](#) [P2724](#) [JM2PB-AU BULK](#) [9144](#) [S2674](#) [280L](#) [163-156N-2-E](#) [163-158N-2-E](#) [171-3308-](#)
[EX](#) [171-3500-E](#) [2501FT](#) [CMT335](#) [M10662](#) [330Q](#) [RJ5VI-S](#) [40116](#) [TM1R-AU](#) [TM2PBMJ-AU](#) [TM2PJ-AU](#) [TM2PJ-AU BULK](#) [4803.1351](#)
[49201](#) [49205](#) [TS3PBJ-AU](#) [TS3PBMJ-AU](#) [TT32BX](#) [54B](#) [40112](#) [40205](#) [XMT332B](#) [52170017-331](#) [570](#) [NM3](#)