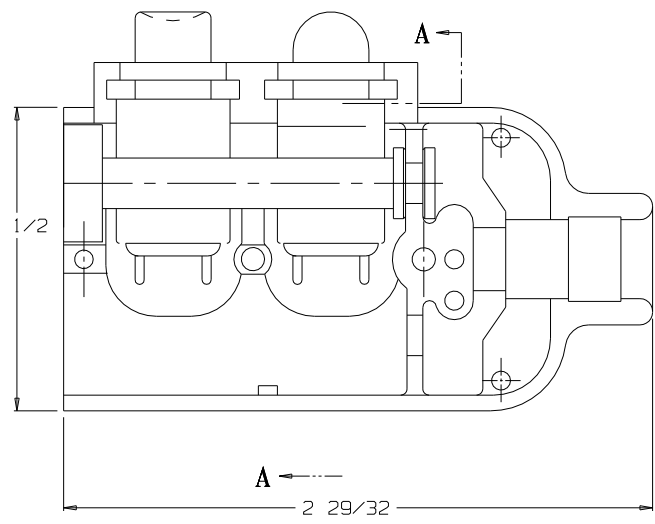
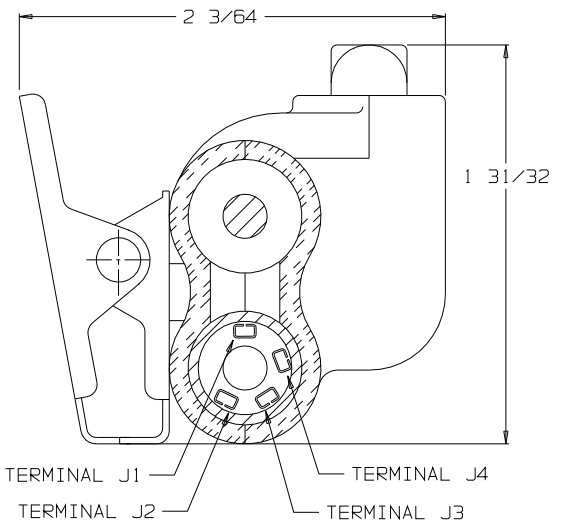


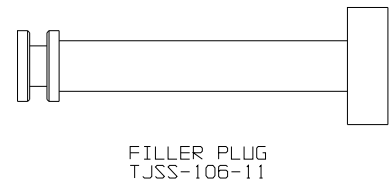
**C** TJSS-104HCSP1



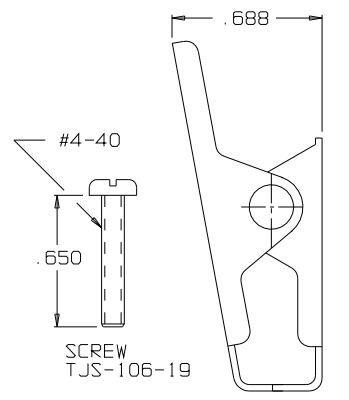
VIEW WITH HALF SHELL REMOVED



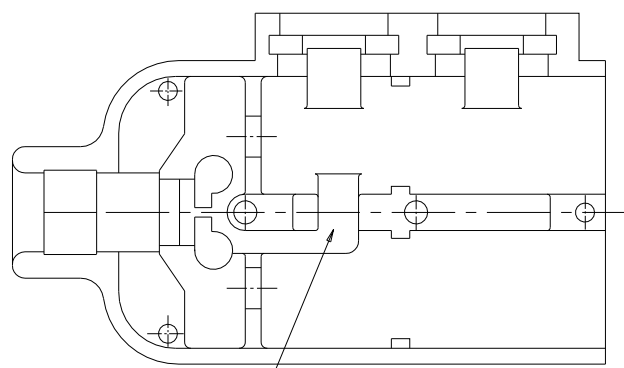
SECTION A-A



FILLER PLUG  
TJSS-106-11

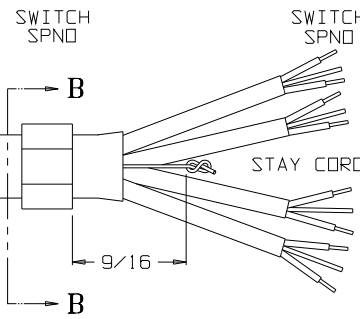
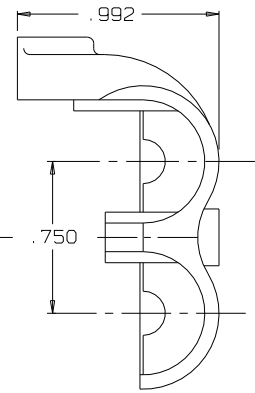


CLIP ASSY  
TJSS-104-3A



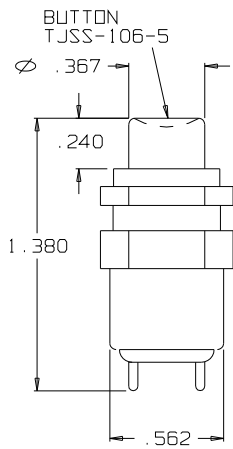
CHANNEL FOR SWITCH LEADS

SHELL, HALF TJSS-106-2HC

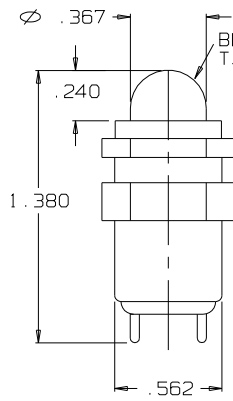


SWITCH SPND

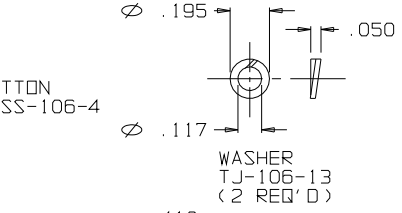
SWITCH SPND



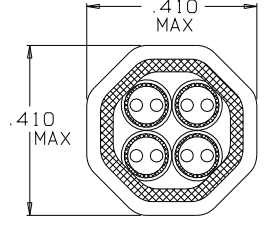
BUTTON  
TJSS-106-5



BUTTON  
TJSS-106-4

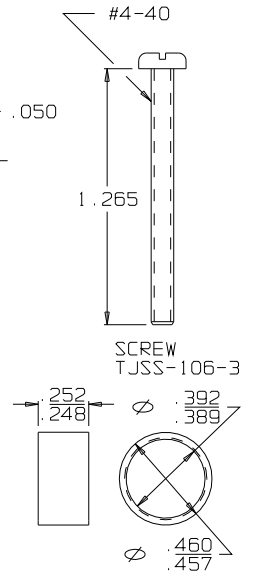


WASHER  
TJ-106-13  
(2 REQ'D)

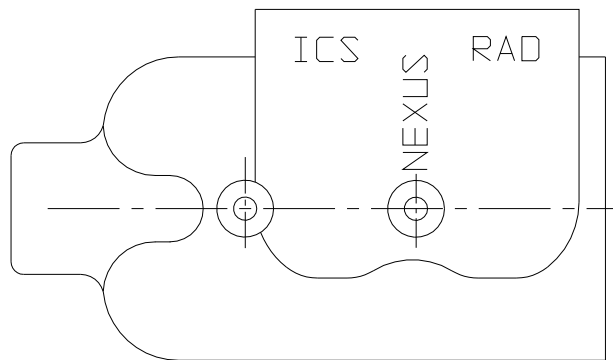


SECTION B-B

STRAIN RELIEF  
CLAMP TJSS-106-12  
AFTER CRIMPING  
USE DANIELS HX4 CRIMP  
TOOL AND Y146 DIE SET  
SCALE 4:1



RING, STRAIN RELIEF  
TJSS-106-12



SHELL, HALF TJSS-106-1HC

DWN BY M. N. F.	DATE 12/14/94	MATERIAL
CHECKED BY L. SMITH	DATE 4/6/95	FINISH
APPR BY L. SMITH	DATE 4/6/95	WEIGHT
		SCALE NONE

TITLE JACK-TELEPHONE-BIAXIAL SPECIAL CONFIGURATION
--

**NEXUS**  
STAMFORD, CONN

A	ADD DANIELS HX4 CRIMP TOOL AND Y146 DIE SET	026	9/16/94	GPH
LET.	REVISION	CN #	DATE	CHK

UNLESS OTHERWISE SPECIFIED  
DIMENSIONS ARE IN INCHES  
TOLERANCES ON  
FRACTIONS DECIMALS ANGLES  
±.001 ±.005 ±.001

DO NOT SCALE DWG. SHEET 1 OF 1

SIZE  
**C** TJSS-104HCSP1

THIS DOCUMENT CONTAINS PROPRIETARY INFORMATION OF NEXUS, INCORPORATED AND SUCH INFORMATION MAY NOT BE DISCLOSED TO OTHERS FOR ANY PURPOSE OR USED FOR ANY PURPOSE WITHOUT THE WRITTEN CONSENT OF NEXUS.

## X-ON Electronics

Largest Supplier of Electrical and Electronic Components

*Click to view similar products for [Phone Connectors](#) category:*

*Click to view products by [Amphenol](#) manufacturer:*

Other Similar products are found below :

[M444B](#) [6J1041A](#) [R4F](#) [E12BPKG](#) [ECP4PKG](#) [161-3502L-E](#) [MT333X](#) [171-0350-EX](#) [171-101A-EX](#) [171-3325-EX](#) [176S](#) [NC3MG-V](#)  
[NYS228G](#) [P10834](#) [P2380](#) [P2381X](#) [P2411X](#) [P2412](#) [P2724](#) [JM2PB-AU BULK](#) [9144](#) [S2674](#) [280L](#) [163-156N-2-E](#) [163-158N-2-E](#) [171-3308-](#)  
[EX](#) [171-3500-E](#) [2501FT](#) [CMT335](#) [M10662](#) [330Q](#) [RJ5VI-S](#) [40116](#) [TM1R-AU](#) [TM2PBMJ-AU](#) [TM2PJ-AU](#) [TM2PJ-AU BULK](#) [4803.1351](#)  
[49201](#) [49205](#) [TS3PBJ-AU](#) [TS3PBMJ-AU](#) [TT32BX](#) [54B](#) [40112](#) [40205](#) [XMT332B](#) [52170017-331](#) [570](#) [NM3](#)