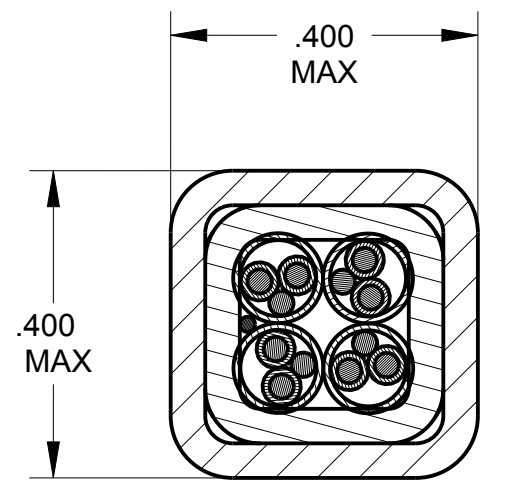
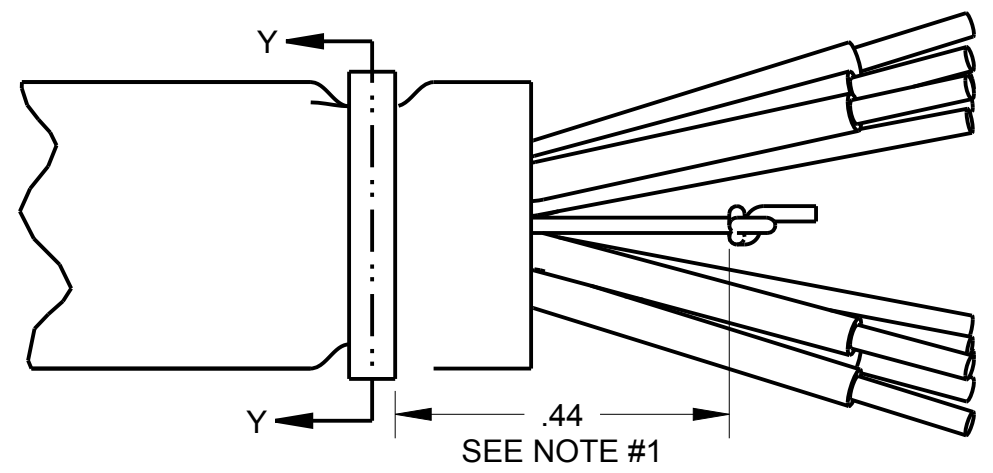
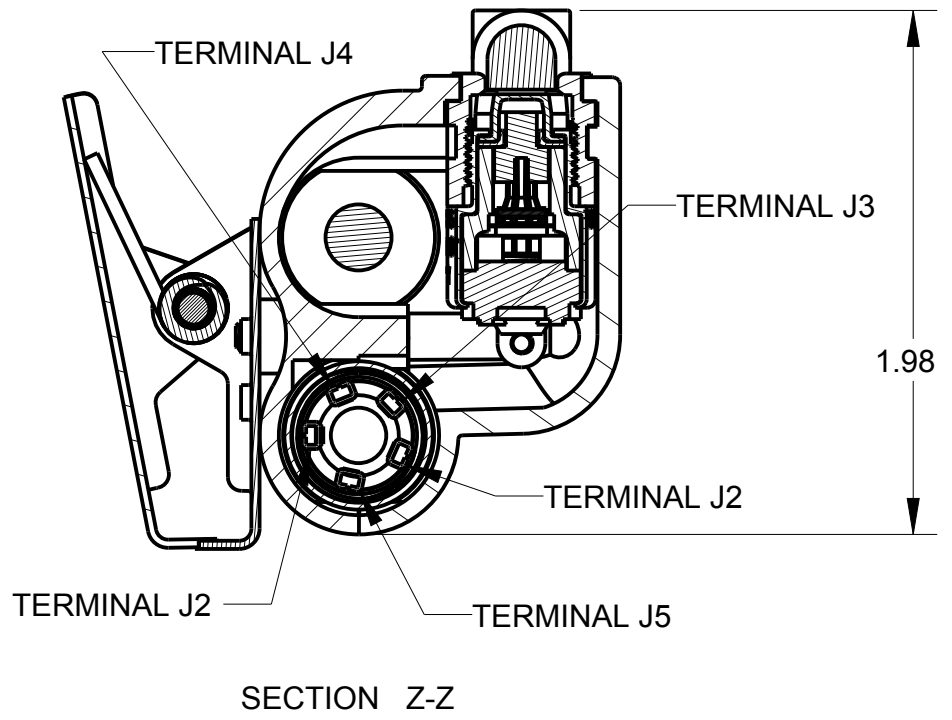
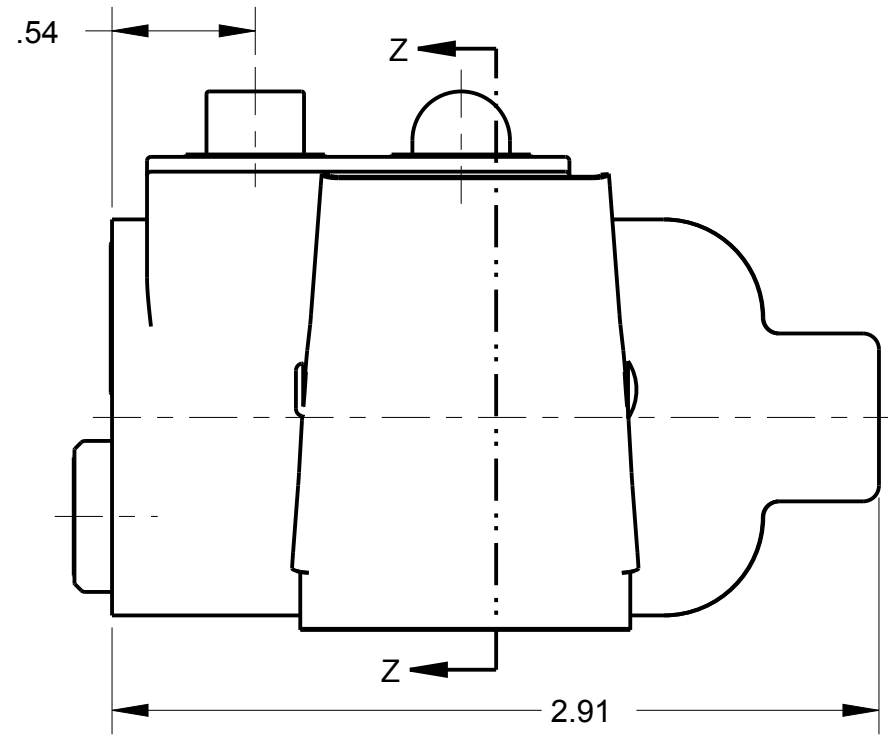
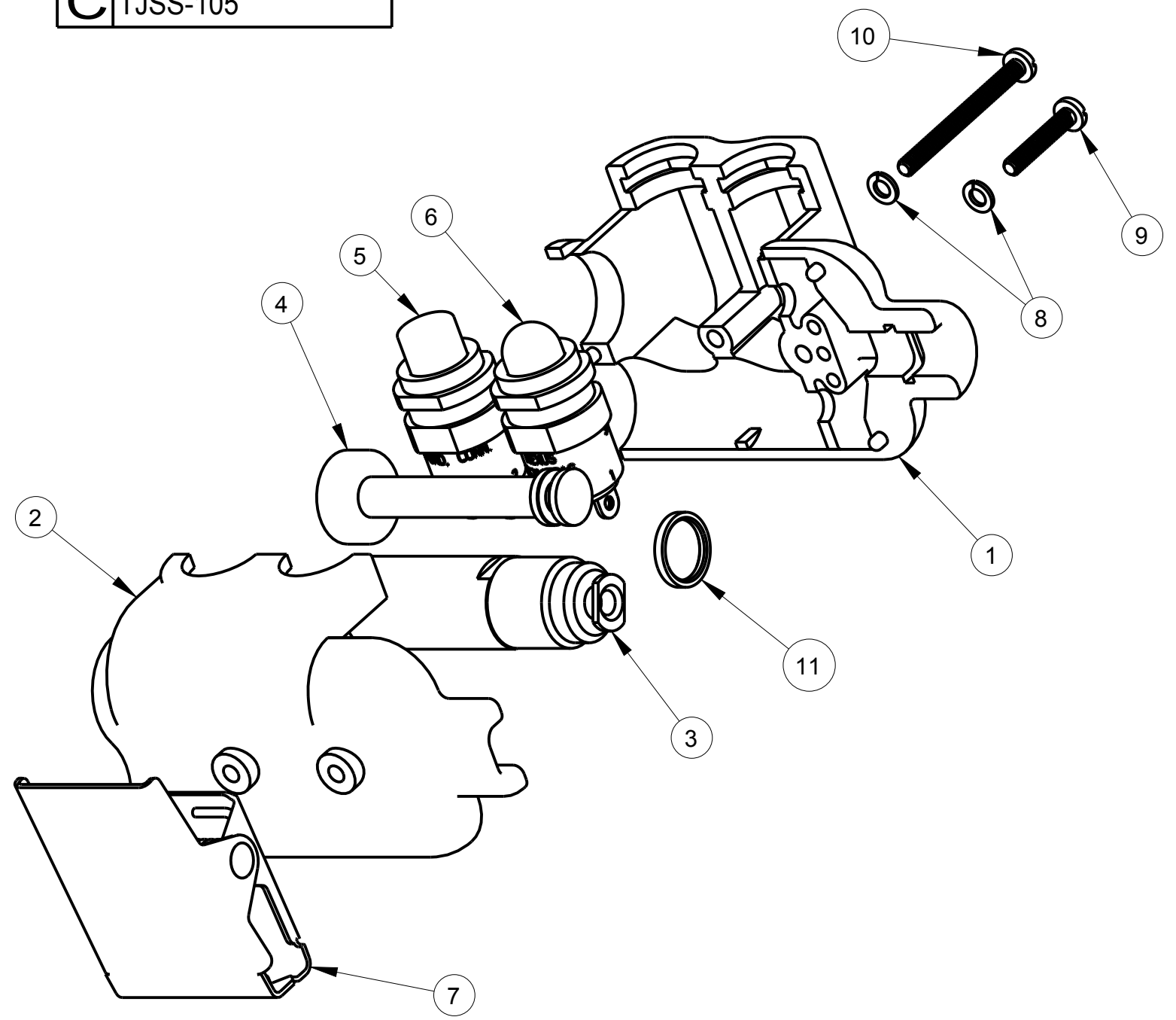
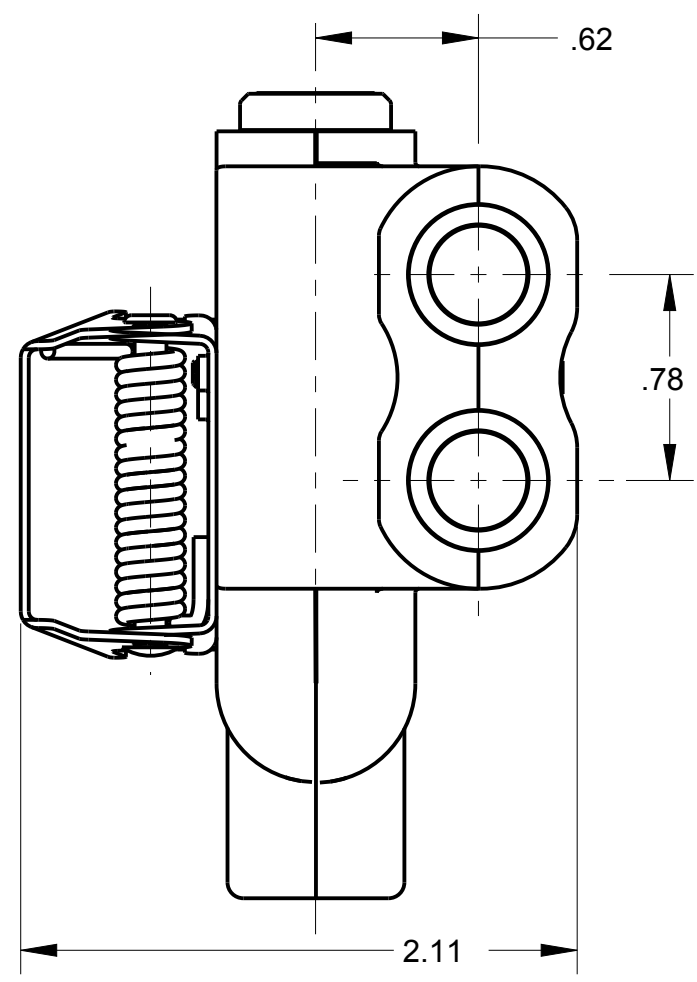


ITEM #	PART #	QTY	DESCRIPTION
1	TJSS-106-1	1	SHELL, HALF
2	TJSS-106-2	1	SHELL, HALF
3	TJ-110-21	1	JACK ASSEMBLY
4	TJSS-106-11	1	FILLER, PLUG
5	NX301LB1B	1	SWITCH MOMENTARY
6	NX301LB1G	1	SWITCH MOMENTARY
7	TJS-104-3A	1	STAINLESS STEEL CLIP ASSEMBLY
8	TJ-106-13	2	#4 WASHER, LOCK
9	TJS-106-19	1	SCREW
10	TJSS-106-3	1	SCREW
11	TJSS-106-6	1	CRIMP RING

NOTES:  
 1) STAY CORD - VARNISH KNOT  
 2) STRAIN RELIEF CLAMP TJSS-106-6 AFTER CRIMPING

C TJSS-105



WIRING OPTIONAL

SECTION Y-Y  
SEE NOTE #2

THIS DOCUMENT CONTAINS PROPRIETARY INFORMATION OF NEXUS, INCORPORATED AND SUCH INFORMATION MAY NOT BE DISCLOSED TO OTHERS FOR ANY PURPOSE OR USED FOR ANY PURPOSE WITHOUT THE WRITTEN CONSENT OF NEXUS.

				DWN. BY	MNF	DATE	2/11/99	MATERIAL	
				CHECKED BY		DATE		FINISH	
				APPR. BY		DATE		WEIGHT	SCALE = 1.00 :1
				UNLESS OTHERWISE SPECIFIED DIMENSIONS ARE IN INCHES & OR (mm)				TITLE JACK-TELEPHONE-BIAXIAL SHIELDED 5-CONDUCTOR WITH 2 SWITCHES	
				TOLERANCES:				DO NOT SCALE DWG. SHEET 1 OF 1	
				DECIMAL:				SIZE DWG. NO.	
				±.XX(X.X) ±.XXX(X.XX) ±.XXXX(X.XXX)				C TJSS-105	
				±.0X(0.X) ±.00X(0.0X) ±.000X(0.0XX)					
				FRACTION: ±X/XX ±X/XX					
				ANGLES: ±X° ±X°					
B	CHG: TJ-110-4 TO TJ-110-6; 2-39/64 TO 2.91; Z 3/64 TO 2.11	218	2/13 2015	HR					
LET.	REVISION	CN #	DATE	CHK					

## X-ON Electronics

Largest Supplier of Electrical and Electronic Components

*Click to view similar products for [Phone Connectors](#) category:*

*Click to view products by [Amphenol](#) manufacturer:*

Other Similar products are found below :

[M444B](#) [6J1041A](#) [R4F](#) [E12BPKG](#) [ECP4PKG](#) [161-3502L-E](#) [MT333X](#) [171-0350-EX](#) [171-101A-EX](#) [171-3325-EX](#) [176S](#) [NC3MG-V](#)  
[NYS228G](#) [P10834](#) [P2380](#) [P2381X](#) [P2411X](#) [P2412](#) [P2724](#) [JM2PB-AU BULK](#) [9144](#) [S2674](#) [280L](#) [163-156N-2-E](#) [163-158N-2-E](#) [171-3308-](#)  
[EX](#) [171-3500-E](#) [2501FT](#) [CMT335](#) [M10662](#) [330Q](#) [RJ5VI-S](#) [40116](#) [TM1R-AU](#) [TM2PBMJ-AU](#) [TM2PJ-AU](#) [TM2PJ-AU BULK](#) [4803.1351](#)  
[49201](#) [49205](#) [TS3PBJ-AU](#) [TS3PBMJ-AU](#) [TT32BX](#) [54B](#) [40112](#) [40205](#) [XMT332B](#) [52170017-331](#) [570](#) [NM3](#)