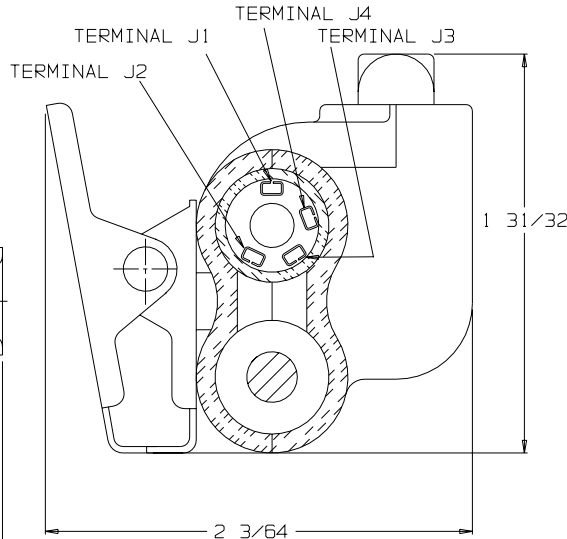
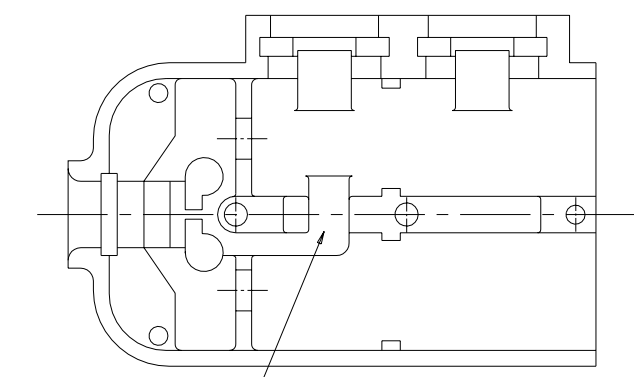
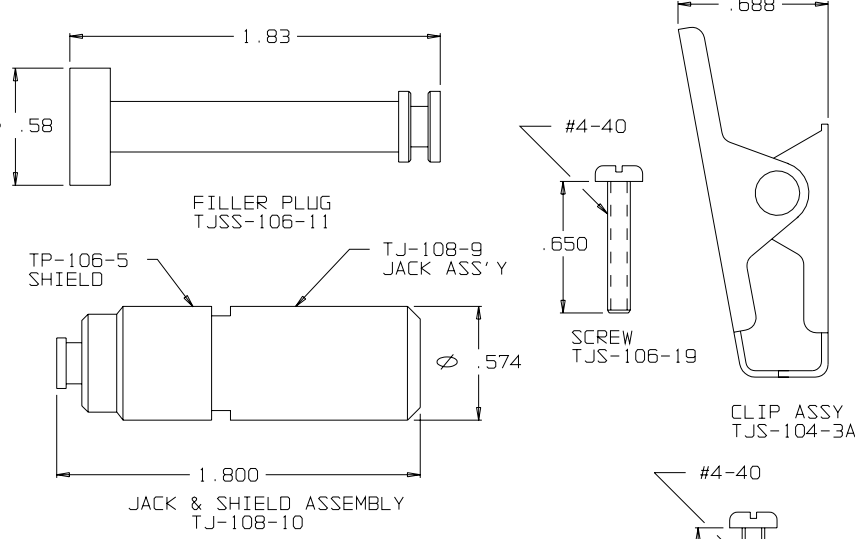


VIEW WITH HALF SHELL REMOVED

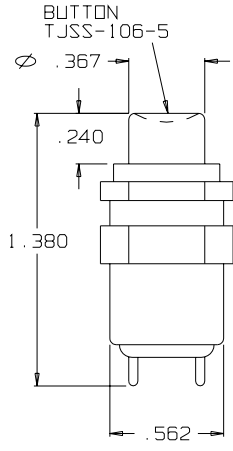
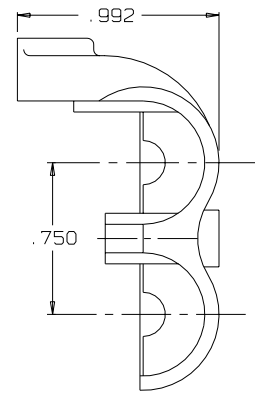


SECTION A-A

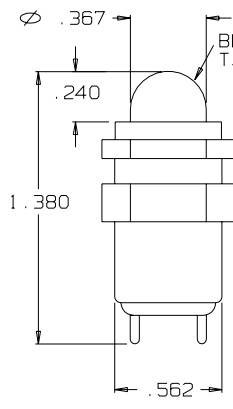
C TJSS-108-1JR



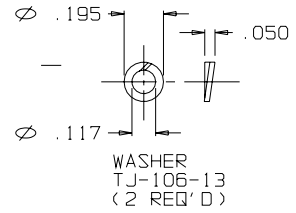
SHELL, HALF TJSS-106-2



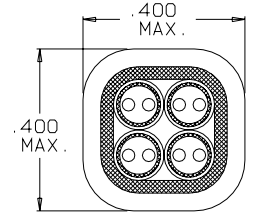
SWITCH SPND



SWITCH SPND

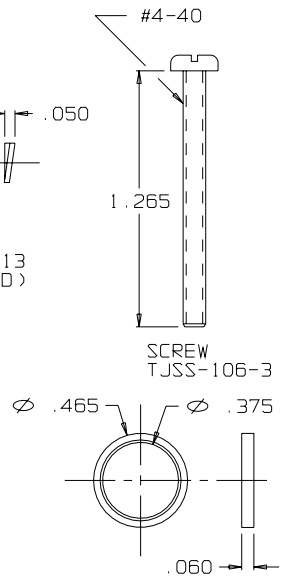


WASHER TJ-106-13 (2 REQ'D)

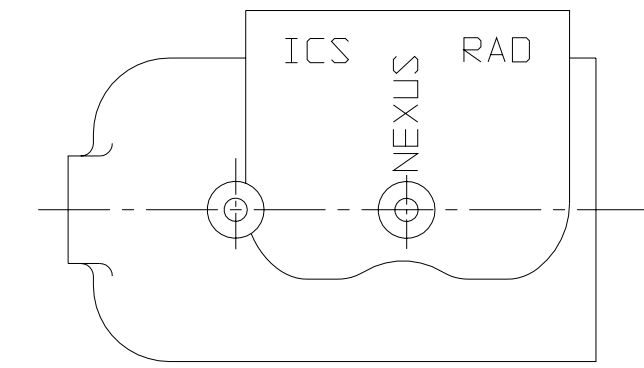


SECTION B-B

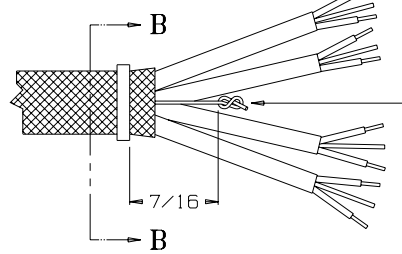
STRAIN RELIEF CLAMP TJSS-106-6 AFTER CRIMPING SCALE 4:1



RING, STRAIN RELIEF TJSS-106-6



SHELL, HALF TJSS-108-1



STAY CORD-VARNISH KNOT

THIS DOCUMENT CONTAINS PROPRIETARY INFORMATION OF NEXUS, INCORPORATED AND SUCH INFORMATION MAY NOT BE DISCLOSED TO OTHERS FOR ANY PURPOSE OR USED FOR ANY PURPOSE WITHOUT THE WRITTEN CONSENT OF NEXUS.

DNW BY <i>EWT</i>	DATE 11/14/07	MATERIAL _____	
CHECKED BY	DATE	FINISH _____	
APPR. BY	DATE	WEIGHT _____	SCALE NONE
UNLESS OTHERWISE SPECIFIED DIMENSIONS ARE IN INCHES TOLERANCES ON FRACTIONS DECIMALS ANGLES		TITLE JACK-TELEPHONE-BIAXIAL SHIELDED (4) CONDUCTOR WITH TWO SWITCHES	
±.1/64 ±.005		DO NOT SCALE DWG. SHEET 1 OF 1	

NEXUS STAMFORD, CONN
 SIZE **C** DWG. NO. **TJSS-108-1JR**

X-ON Electronics

Largest Supplier of Electrical and Electronic Components

Click to view similar products for [Phone Connectors](#) category:

Click to view products by [Amphenol](#) manufacturer:

Other Similar products are found below :

[M444B](#) [6J1041A](#) [R4F](#) [E12BPKG](#) [ECP4PKG](#) [161-3502L-E](#) [MT333X](#) [171-0350-EX](#) [171-101A-EX](#) [171-3325-EX](#) [176S](#) [NC3MG-V](#)
[NYS228G](#) [P10834](#) [P2380](#) [P2381X](#) [P2411X](#) [P2412](#) [P2724](#) [JM2PB-AU BULK](#) [9144](#) [S2674](#) [280L](#) [163-156N-2-E](#) [163-158N-2-E](#) [171-3308-](#)
[EX](#) [171-3500-E](#) [2501FT](#) [CMT335](#) [M10662](#) [330Q](#) [RJ5VI-S](#) [40116](#) [TM1R-AU](#) [TM2PBMJ-AU](#) [TM2PJ-AU](#) [TM2PJ-AU BULK](#) [4803.1351](#)
[49201](#) [49205](#) [TS3PBJ-AU](#) [TS3PBMJ-AU](#) [TT32BX](#) [54B](#) [40112](#) [40205](#) [415](#) [XMT332B](#) [52170017-331](#) [570](#)