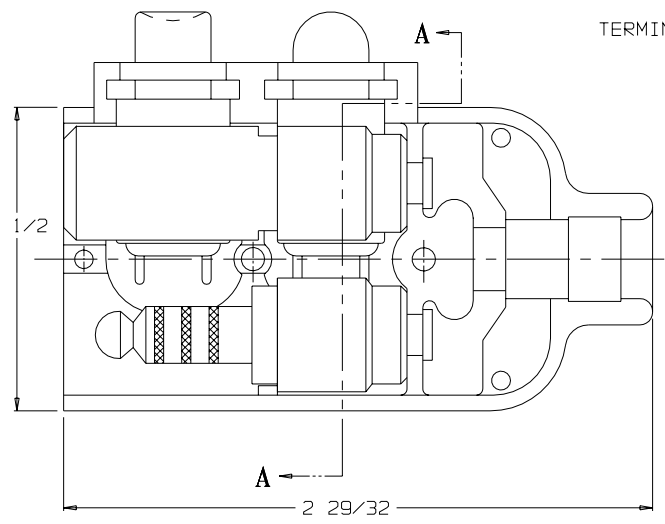
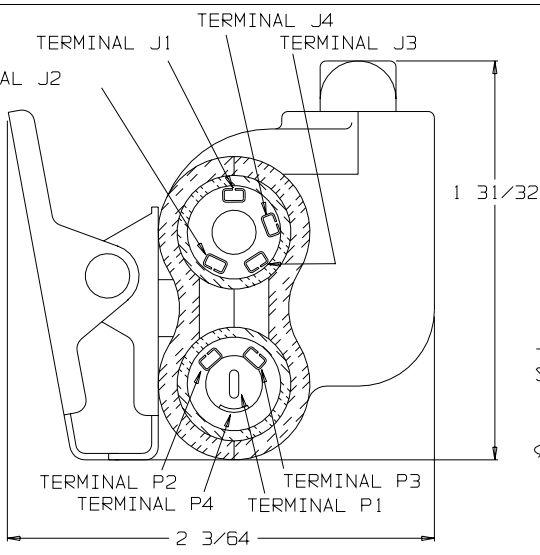


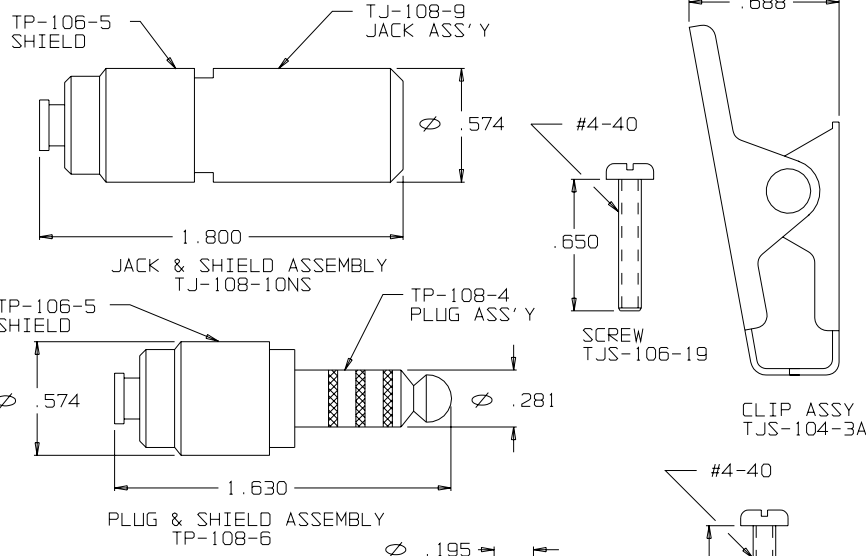
C TJSS-108NS-HC



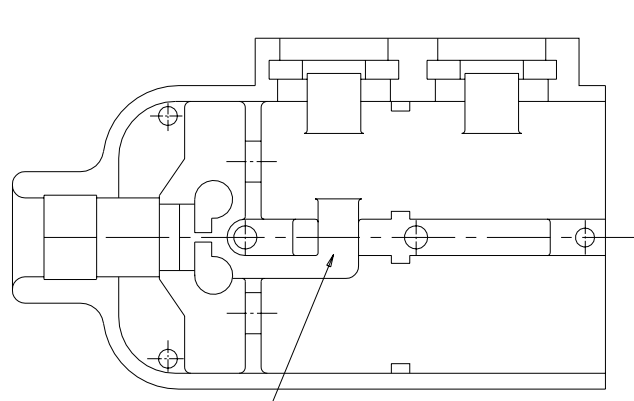
VIEW WITH HALF SHELL REMOVED



SECTION A-A

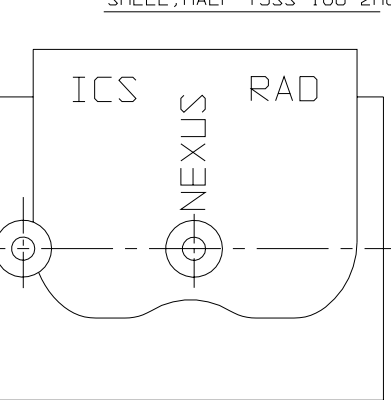
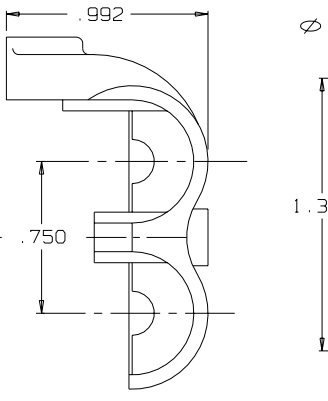


PLUG & SHIELD ASSEMBLY TP-108-6

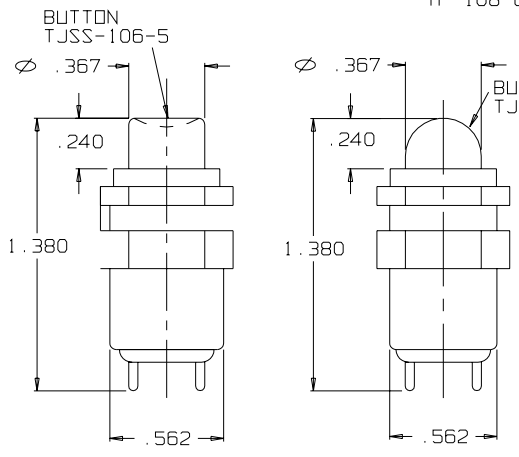


CHANNEL FOR SWITCH LEADS

SHELL, HALF TJSS-106-2HC

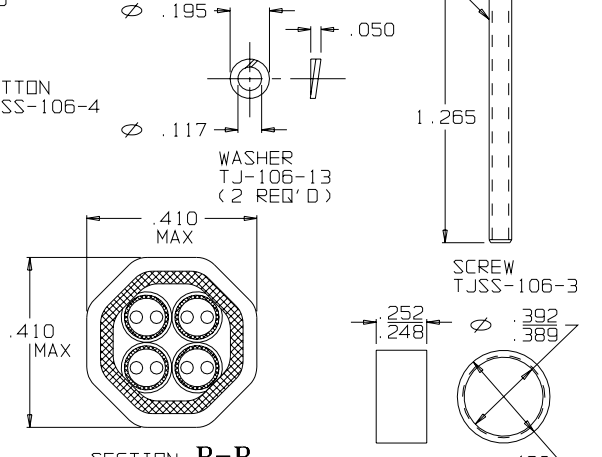


SHELL, HALF TJSS-106-1HC

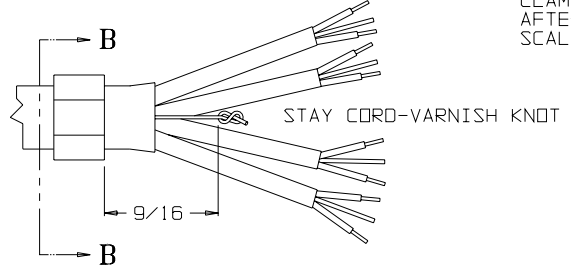


SWITCH SPND

SWITCH SPND



SECTION B-B
STRAIN RELIEF CLAMP TJSS-106-12 AFTER CRIMPING SCALE 4:1



STAY CORD-VARNISH KNOT

THIS DOCUMENT CONTAINS PROPRIETARY INFORMATION OF NEXUS, INCORPORATED AND SUCH INFORMATION MAY NOT BE DISCLOSED TO OTHERS FOR ANY PURPOSE OR USED FOR ANY PURPOSE WITHOUT THE WRITTEN CONSENT OF NEXUS.

DWN BY M. N. F.	DATE 12/14/94	MATERIAL	
CHECKED BY L. SMITH	DATE 4/6/95	FINISH	
APPR BY L. SMITH	DATE 4/6/95	WEIGHT	SCALE NONE
TITLE JACK-TELEPHONE-BIAxIAL NON-SHIELDED (8) CONDUCTOR WITH TWO SWITCHES, HEX CRIMP			
UNLESS OTHERWISE SPECIFIED DIMENSIONS ARE IN INCHES TOLERANCES ON FRACTIONS DECIMALS ANGLES ±.004 ±.005			

NEXUS STAMFORD, CONN
 DWG NO.
C TJSS-108NS-HC

LET.	REVISION	CN #	DATE	CHK.

X-ON Electronics

Largest Supplier of Electrical and Electronic Components

Click to view similar products for [Phone Connectors](#) category:

Click to view products by [Amphenol](#) manufacturer:

Other Similar products are found below :

[M444B](#) [6J1041A](#) [R4F](#) [E12BPKG](#) [ECP4PKG](#) [161-3502L-E](#) [MT333X](#) [171-0350-EX](#) [171-101A-EX](#) [171-3325-EX](#) [176S](#) [NC3MG-V](#)
[NYS228G](#) [P10834](#) [P2380](#) [P2381X](#) [P2411X](#) [P2412](#) [P2724](#) [JM2PB-AU BULK](#) [9144](#) [S2674](#) [280L](#) [163-156N-2-E](#) [163-158N-2-E](#) [171-3308-](#)
[EX](#) [171-3500-E](#) [2501FT](#) [CMT335](#) [M10662](#) [330Q](#) [RJ5VI-S](#) [40116](#) [TM1R-AU](#) [TM2PBMJ-AU](#) [TM2PJ-AU](#) [TM2PJ-AU BULK](#) [4803.1351](#)
[49201](#) [49205](#) [TS3PBJ-AU](#) [TS3PBMJ-AU](#) [TT32BX](#) [54B](#) [40112](#) [40205](#) [XMT332B](#) [52170017-331](#) [570](#) [NM3](#)