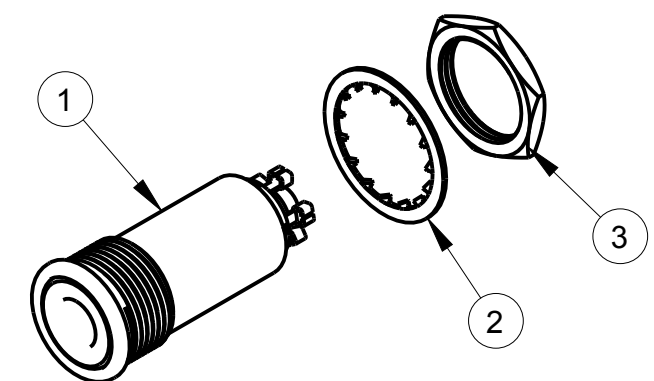
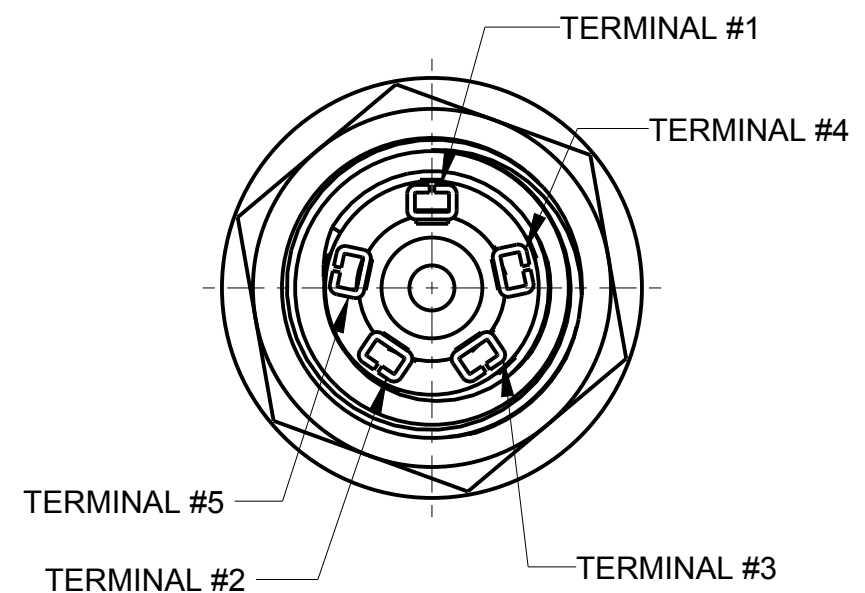
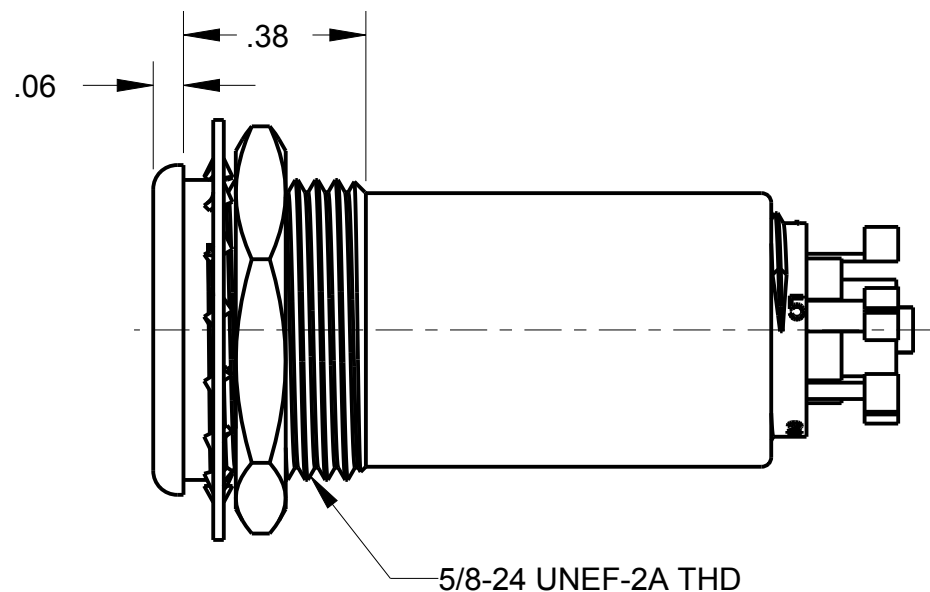
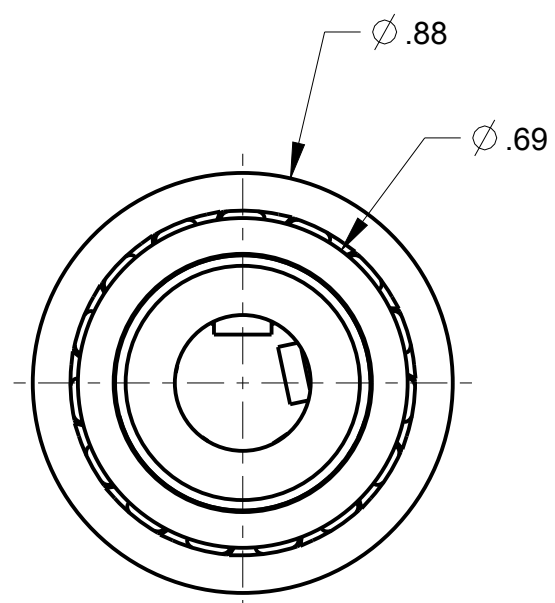


ITEM #	PART #	QTY	DESCRIPTION
1	TJT-105-2B	1	TELEPHONE JACK
3	SW-200-35	1	LOCK WASHER
4	SW-200-34	1	NUT

B TJT-105B



NOTES:
 1) THIS PART MATES WITH U-384/U TELEPHONE PLUG
 2) THIS PART WITHOUT HARDWARE WEIGHS 12gm MAX
 3) SHELL MATERIAL IS ALUMINUM, BLACK ANODIZE
 4) PLASTIC MATERIAL: BLACK HYLAR GRADE 460
 5) ORDER PART # TJT-105B



THIS DOCUMENT CONTAINS PROPRIETARY INFORMATION OF NEXUS, INCORPORATED AND SUCH INFORMATION MAY NOT BE DISCLOSED TO OTHERS FOR ANY PURPOSE OR USED FOR ANY PURPOSE WITHOUT THE WRITTEN CONSENT OF NEXUS.

LET.	REVISION	CN #	DATE	CHK.
C	ADD: BOM	199	4/29 2014	HR
B	ADD: MAT'L SPEC		11/15 2010	HR
A	NEW RELEASE		4/21 2010	GH

DWN.BY	GPH	DATE	4/22/10
CHECKED BY		DATE	
APPR.BY		DATE	
UNLESS OTHERWISE SPECIFIED: DIMENSIONS ARE IN INCHES &/OR (mm)			
TOLERANCES:			
DECIMAL: .XX[X.X] ± .0X[0.X]		.XXX[X.XX] ± .00X[0.0X]	
FRACTION: X/X ± X/XX		ANGLES: .X ± .X°	

MATERIAL	
FINISH	
WEIGHT	SCALE = 1.00 :1
TITLE PHONE JACK ASSEMBLY 5 CONDUCTOR	
DO NOT SCALE DWG.	SHEET 1 OF 1

NEXUS
STAMFORD, CONN

SIZE **B** DWG. NO. TJT-105B

X-ON Electronics

Largest Supplier of Electrical and Electronic Components

Click to view similar products for [Phone Connectors](#) category:

Click to view products by [Amphenol](#) manufacturer:

Other Similar products are found below :

[M444B](#) [6J1041A](#) [R4F](#) [E12BPKG](#) [ECP4PKG](#) [161-3502L-E](#) [MT333X](#) [171-0350-EX](#) [171-101A-EX](#) [171-3325-EX](#) [176S](#) [NC3MG-V](#)
[NYS228G](#) [P10834](#) [P2380](#) [P2381X](#) [P2411X](#) [P2412](#) [P2724](#) [JM2PB-AU BULK](#) [9144](#) [S2674](#) [280L](#) [163-156N-2-E](#) [163-158N-2-E](#) [171-3308-](#)
[EX](#) [171-3500-E](#) [2501FT](#) [CMT335](#) [M10662](#) [330Q](#) [RJ5VI-S](#) [40116](#) [TM1R-AU](#) [TM2PBMJ-AU](#) [TM2PJ-AU](#) [TM2PJ-AU BULK](#) [4803.1351](#)
[49201](#) [49205](#) [TS3PBJ-AU](#) [TS3PBMJ-AU](#) [TT32BX](#) [54B](#) [40112](#) [40205](#) [XMT332B](#) [52170017-331](#) [570](#) [NM3](#)