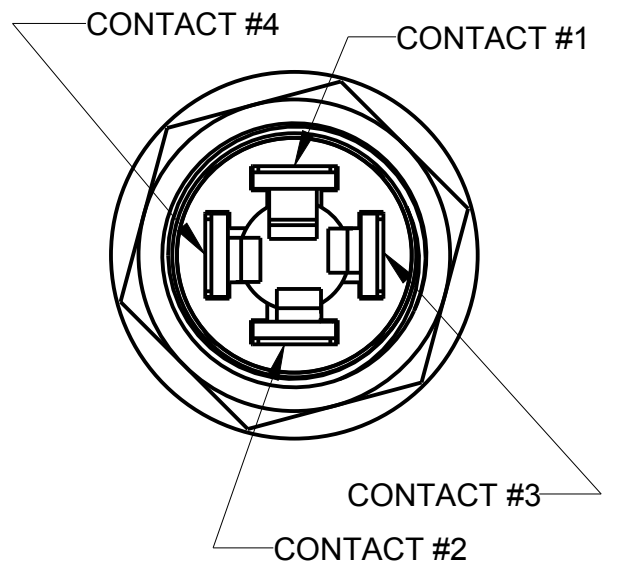
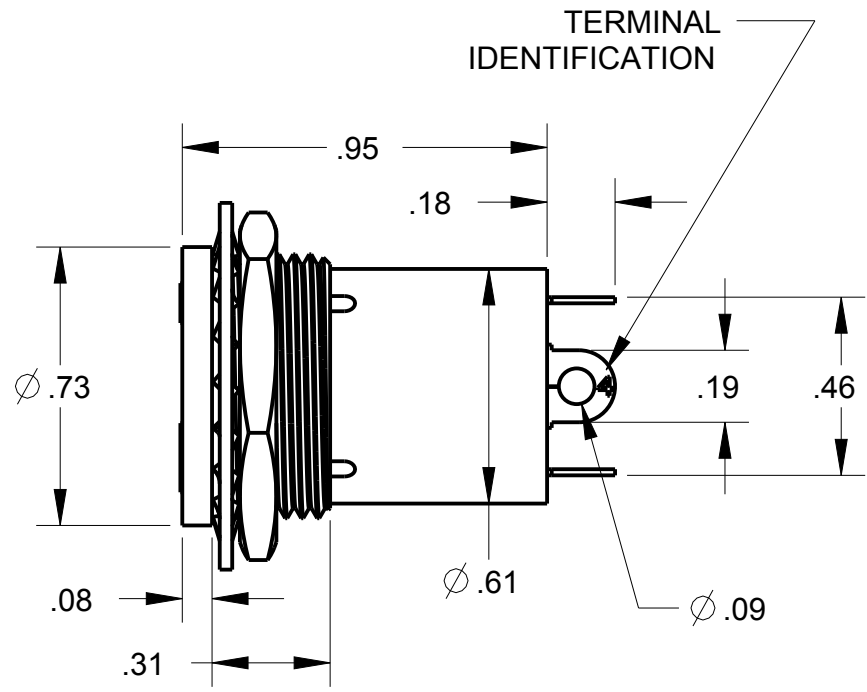
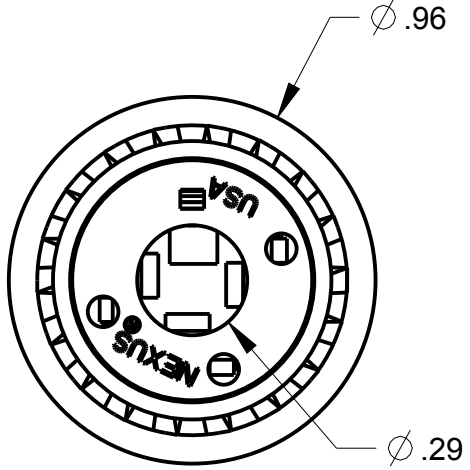
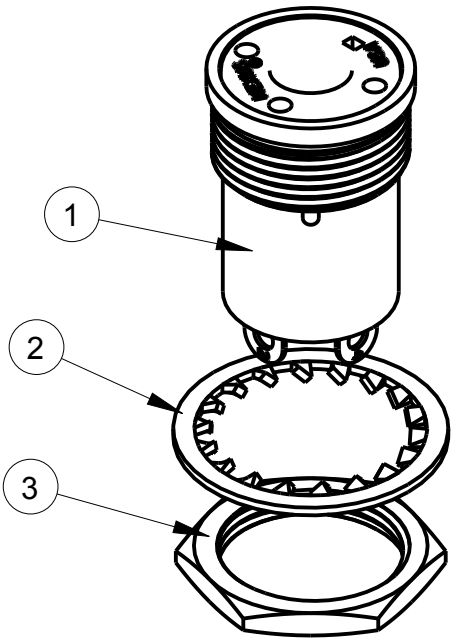


ITEM #	PART #	QTY	DESCRIPTION
1	TJT-120MS-9	1	JACK ASSEMBLY, EXTERNAL THREAD
2	TJT-120-3	1	LOCK WASHER
3	TJT-120-2	1	NUT

B TJT-120MS

NOTES:
 1) TERMINALS 1,2,3,& 4 ARE BERY. CU.
 2) FINISH: ALL TERMINALS .00015 NICKEL PLATE & .000015 GOLD PLATE PER MIL-G-4504 TYPE 2
 3) ASSEMBLY TO MATE WITH TELEPHONE PLUGS TYPE U-93A/U, U-174/U, & NEXUS TP-120
 4) TERMINALS 1 & 3 ARE FOR MICROPHONE CIRCUIT, TERMINALS 2 & 4 ARE FOR EARPHONE CIRCUIT



THIS DOCUMENT CONTAINS PROPRIETARY INFORMATION OF NEXUS, INCORPORATED AND SUCH INFORMATION MAY NOT BE DISCLOSED TO OTHERS FOR ANY PURPOSE OR USED FOR ANY PURPOSE WITHOUT THE WRITTEN CONSENT OF NEXUS.

LET.	REVISION	CN #	DATE	CHK.
E	ADD: BOM	178	7/24 2013	HR
D	1) NOTE WAS "FULL THREAD TO WITHIN .060"		12/4 1990	
C	REDRAWN		3/15 2013	

DWN.BY	M AMBRO	DATE	9/10/69
CHECKED BY		DATE	
APPR.BY		DATE	

MATERIAL	
FINISH	
WEIGHT	SCALE = 1.00 :1
TITLE PHONE JACK ASSEMBLY & MTG HARDWARE	
DO NOT SCALE DWG.	SHEET 1 OF 1

NEXUS STAMFORD, CONN	
SIZE	DWG. NO.
B	TJT-120MS

X-ON Electronics

Largest Supplier of Electrical and Electronic Components

Click to view similar products for [Phone Connectors](#) category:

Click to view products by [Amphenol](#) manufacturer:

Other Similar products are found below :

[M444B](#) [6J1041A](#) [R4F](#) [E12BPKG](#) [ECP4PKG](#) [161-3502L-E](#) [MT333X](#) [171-0350-EX](#) [171-101A-EX](#) [171-3325-EX](#) [176S](#) [NC3MG-V](#)
[NYS228G](#) [P10834](#) [P2380](#) [P2381X](#) [P2411X](#) [P2412](#) [P2724](#) [JM2PB-AU BULK](#) [9144](#) [S2674](#) [280L](#) [163-156N-2-E](#) [163-158N-2-E](#) [171-3308-](#)
[EX](#) [171-3500-E](#) [2501FT](#) [CMT335](#) [M10662](#) [330Q](#) [RJ5VI-S](#) [40116](#) [TM1R-AU](#) [TM2PBMJ-AU](#) [TM2PJ-AU](#) [TM2PJ-AU BULK](#) [4803.1351](#)
[49201](#) [49205](#) [TS3PBJ-AU](#) [TS3PBMJ-AU](#) [TT32BX](#) [54B](#) [40112](#) [40205](#) [XMT332B](#) [52170017-331](#) [570](#) [NM3](#)