



CATALOGUE

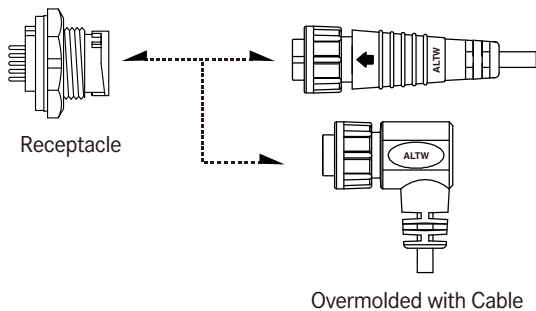
Circular Connector



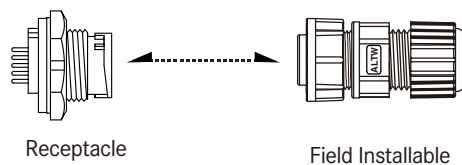


Range Overview

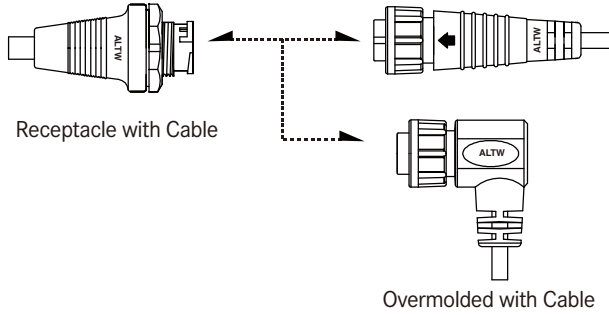
∟ Receptacle To Overmolded with Cable



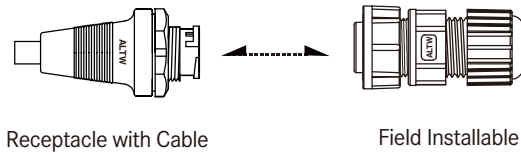
∟ Receptacle To Field Installable



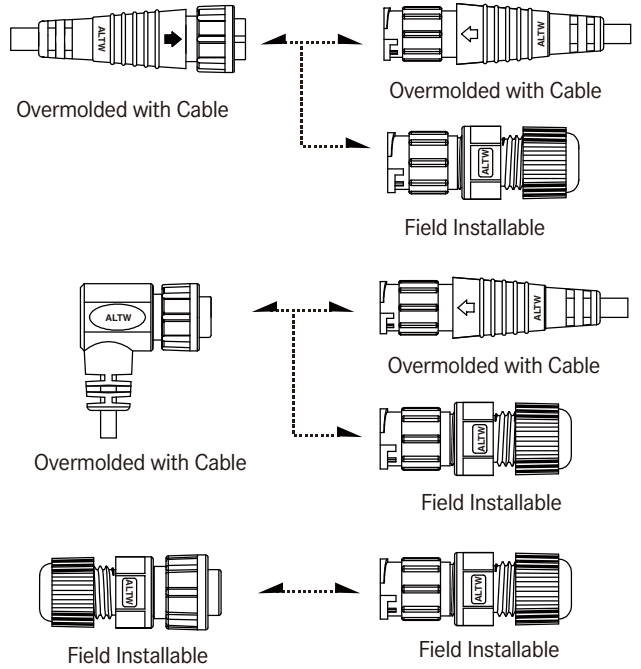
Receptacle with Cable to Overmolded with Cable



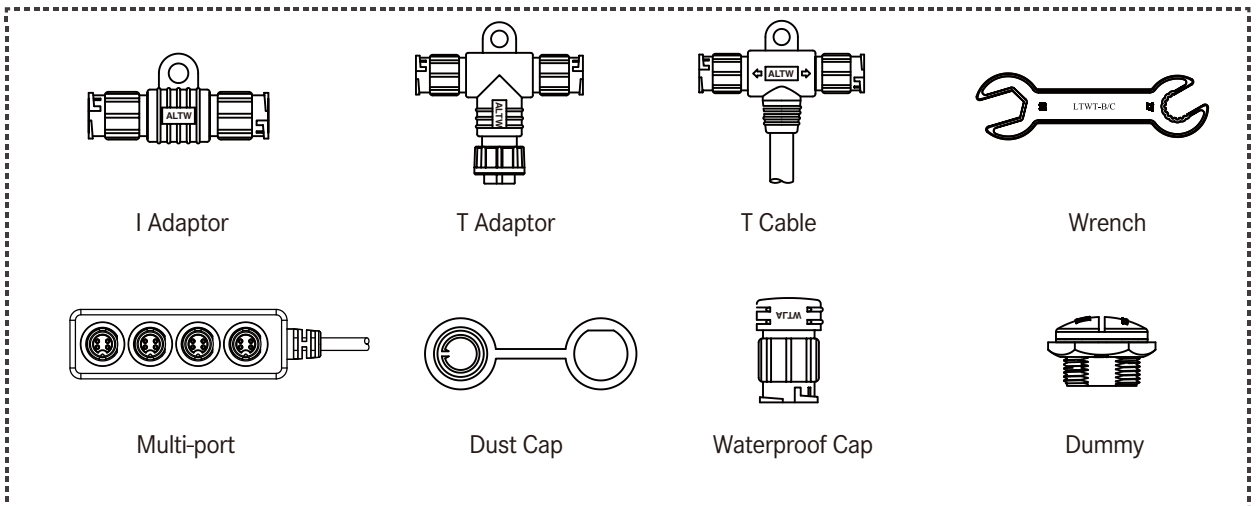
Receptacle with Cable to Field Installable



In-Line



Accessories



Specification

| | |
|-------------------------------------|---|
| Identifications | A Size (Mini), B Size (Standard), C Size (Middle), D Size (Large), E Size (Macro) |
| Description | Receptacle Receptacle with cable Overmolded with Cable Field Installable |
| Mating Style | 2 Points Lock Bayonet, 3 Points Lock Bayonet, Screw Thread, Push Lock |
| Current Rating / Data | 2A, 5A, 10A, 20A, 5A+2A, 10A+2A, 10A+5A, 20A+2A, 20A+5A |
| Material | Connector Body (Housing) : Nylon+GF, UL Recognized Contacts: Copper Alloy, Gold Plated |
| Waterproof Rating | IP66~IP68 |
| Temperature Range | Receptacle: -40°C~105°C Receptacle with cable: -20°C~80°C Overmolded with Cable: -20°C~80°C Field installable: -40 °C~105 °C |
| Contact Resistance | ≤ 10 mΩ |
| Insulation Resistance | ≥ 100 MΩ at DC500V |
| Durability | 1000 cycles |
| Dielectric Withstand Voltage | ≥ AC1000V / 1 minute |
| More to know | Salt Spray Corrosion Test: 48H Standard Cable Length: 01~99M Screw Thread Size: - A Size: 7/16"-28 UNS - B Size: 5/8"-27 UNS - C Size: 13/16"-28 UNS - D Size: 1"-20 UNEF - E Size: 1 3/16"-20 UNS |

【Note】 Design and specification are subject to change without notice.

Ordering Information

1 - 2 3 4 5 6 - 7 8 9 10

Specification / Current Rating

| | | |
|--------------------------------------|----------------------------|--|
| <u>> A Size (Mini)</u> | <u>≥ C Size (Middle)</u> | <u>≥ D Size (Large), Metal</u> |
| (AU) 2A | (CU) 2A | (DSD) 5A |
| (AD) 5A | (CD) 5A | |
| | (CB) 10A | <u>> E Size (Macro)</u> |
| <u>> A Size (Mini), Metal</u> | (CC) 20A | (ED) 5A |
| (ASU) 2A | (CDU) 5A+2A | |
| (ASD) 5A | (CBU) 10A+2A | <u>≥Others</u> |
| | (CBD) 10A+5A | (GBD) 10A+5A (Between Standard Size & Middle Size) |
| <u>> B Size (Standard)</u> | (CGU) 16A+2A* | (MAB) 10A (Equivalent to AMP) |
| (BU) 2A | <u>> D Size (Large)</u> | (PLD) 5A (Size 12) |
| (BD) 5A | (DU) 2A | |
| (BB) 10A | (DD) 5A | |
| (BDU) 5A+2A | (DC) 20A | |
| (BBD) 10A+5A | (DCU) 20A+2A | |
| | (DCD) 20A+5A | |
| <u>> B Size (Standard), Metal</u> | (DCB) 20A+10A* | |
| (BSU) 2A | | |
| (BSD) 5A | | |
| (BSB) 10A | | |

* Coming soon

Number of Contacts

02, 03....
EX. (02) = 2 Contacts

Connector Body (Style)

| | | |
|----------------------------|---------------------------------------|-----------------------------------|
| <u>> For Receptacle</u> | <u>> For Overmolded with Cable</u> | <u>> For Field installable</u> |
| (P) Front Fastened | (A) With Strain Relief | (B) Without Strain Relief |
| (R) Rear Fastened | (B) Without Strain Relief | |

Connector (Housing) Gender

(M) Male Connector (F) Female Connector

Contact Gender

(M) Male (D) Female (Power) + Male (Signal)
(F) Female (E) Male (Power) + Female (Signal)

Assemble Style

| | |
|----------------------------|---------------------------------------|
| <u>> For Receptacle</u> | <u>> For Overmolded with Cable</u> |
| (S) Solder Type | (M) Overmolded with Cable |
| (B) Screw in Type | <u>> For Field Installable</u> |
| (P) 180° PCB Type | (A) Field installable (Solder) |
| (R) 90° PCB Type | (B) Screw in Type |

Mating Style

(L) 2 Points Lock Bayonet (T) 3 Points Lock Bayonet
(S) Screw Thread (Q) Push Lock

Backshell

| | | |
|----------------------------|---------------------------------------|-----------------------------------|
| <u>> For Receptacle</u> | <u>> For Overmolded with Cable</u> | <u>> For Field Installable</u> |
| (C) Circular | (L) Straight | (L) Straight |
| (S) Square | (R) Right Angle | |

Waterproof Rating

(6) IP 66
(7) IP 67
(8) IP 68

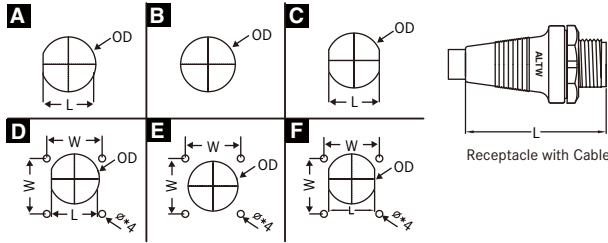
More Information

| | |
|------------------------------------|---------------------------------------|
| <u>> For Receptacle</u> | <u>> For Overmolded with Cable</u> |
| (001), (002)..... | (□)+(■) : Cable Type + Cable Length |
| Without Cable : Different Versions | EX. (A01) = UL2464 Cable + 1M |
| | (□) : Cable Type (■) : Cable Length |
| | (A) UL2464 Cable From 1M to 99M |
| | (B) UL2586 Cable EX. (01) = 1M |
| | (C) Power Cable(TC-ER) |

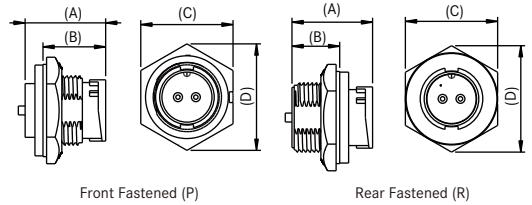
Physical Dimension

Receptacle

Panel Cut-Out



Connector Dimension



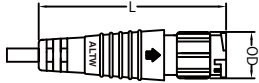
| Current Rating | | Dimension | | Type | L / W | OD | φ | L (Connector Body) | |
|----------------|------------|--------------|--------|-------------|-------|------|---|-----------------------|---|
| Size | Shield | Conn. Gender | Male | | | | | | |
| Mini Size | - | 2A(AU) | A | 10.4 | 10.9 | - | - | 40.5 | |
| | - | 2A(ASU) | D | 10.4 / 12.7 | 10.9 | 3.05 | - | - | |
| | Shield | 2A(ASU) | D | 10.4 / 12.7 | 10.9 | 3.05 | - | - | |
| | - | 5A(AD) | A | 10.4 | 10.9 | - | - | 40.5 | |
| | - | 5A(AAD) | A | 10.4 | 10.9 | - | - | - | |
| | Shield | 5A(ASD) | D | 10.4 / 12.7 | 10.9 | 3.05 | - | - | |
| Standard Size | - | 2A(BU) | A | 14.8 | 15.6 | - | - | 42.6 | |
| | Shield | 2A(BSU) | B | - | 15.6 | - | - | - | |
| | | | C | 14.0 | 16.0 | - | - | - | |
| | - | 5A(BD) | A | 14.8 | 15.6 | - | - | 42.6 | |
| | - | 5A(ABD) | A | 14.8 | 15.6 | - | - | - | |
| | Shield | 5A(BSD) | B | - | 15.6 | - | - | - | |
| | | | E | 16.0 | 15.6 | 3.1 | - | - | |
| | | | A | 14.8 | 15.6 | - | - | 42.6 | |
| | - | 10A(BB) | A | 14.8 | 15.6 | - | - | 42.6 | |
| | - | 10A(ABB) | A | 14.8 | 15.6 | - | - | - | |
| | Shield | 10A(BSB) | C | 14.1 | 15.6 | - | - | - | |
| | - | 10A+5A(BBD) | A | 14.8 | 15.6 | - | - | 42.6 | |
| Middle Size | - | 2A(CU) | A | 19.4 | 20.8 | - | - | - | |
| | - | 5A(CD) | A | 19.4 | 20.8 | - | - | 47.0 | |
| | - | 5A(ACD) | A | 19.4 | 20.8 | - | - | - | |
| | - | 5A+2A(CDU) | A | 19.4 | 20.8 | - | - | - | |
| | - | 10A(CB) | A | 19.4 | 20.8 | - | - | 47.0 | |
| | - | 10A(ACB) | A | 19.4 | 20.8 | - | - | - | |
| | - | 10A+2A(CBU) | A | 19.4 | 20.8 | - | - | - | |
| | - | 10A+5A(CBD) | A | 19.4 | 20.8 | - | - | - | |
| | - | 20A(ACC) | A | 19.4 | 20.8 | - | - | - | |
| | - | 20A(CC) | A | 19.4 | 20.8 | - | - | 47.0 | |
| | Large Size | - | 2A(DU) | A | 23.6 | 25.6 | - | - | - |
| | | - | 5A(DD) | A | 23.6 | 25.6 | - | - | - |
| - | | 5A(DD) | D | 23.6 / 24.4 | 25.6 | 3.1 | - | - | |
| - | | 5A(ADD) | A | 23.6 | 25.6 | - | - | - | |
| - | | 5A(ADD) | D | 23.6 / 24.4 | 25.6 | 3.1 | - | - | |
| Shield | | 5A(DSD) | E | 24.5 | 24.8 | 2.7 | - | - | |
| - | | 20A(DC) | A | 23.6 | 25.6 | - | - | - | |
| - | | 20A(DC) | D | 23.6 / 24.4 | 25.6 | 3.1 | - | - | |
| - | | 20A(ADC) | A | 23.6 | 25.6 | - | - | - | |
| - | | 20A(ADC) | D | 23.6 / 24.4 | 25.6 | 3.1 | - | - | |
| - | | 20A+2A(DCU) | A | 23.6 | 25.6 | - | - | - | |
| - | | 20A+5A(DCD) | A | 23.6 | 25.6 | - | - | - | |
| Macro Size | - | 5A(ED) | D | 29.0 / 30.1 | 30.1 | 3.5 | - | - | |
| Others | - | 10+5A(GBD) | - | - | - | - | - | - | |
| | - | 10A(MAB) | - | - | - | - | - | - | |
| | - | 5A(PLD) | C | 11.3 | 12.8 | - | - | - | |

| A | B | C | D | Panel Thickness Max | |
|-----------------|------------------|--------------------|--------------------|---------------------|-----------------|
| | | | | Lock Type | Screw Type |
| P: 18.4/R: 18.0 | P: 14.0/R: 10.8 | 15.7 | 18.1 | P: 3.5/R: 5.0 | P: 5.0/R: 5.0 |
| 18.6 | 14.0 | 15.7 | 18.1 | P: 3.5 | - |
| P: 18.4/R: 18.0 | P: 14.0/R: 10.8 | 15.7 | 18.1 | P: 3.5/R: 5.0 | P: 5.0/R: 5.0 |
| P: 17.5/R: 17.5 | P: 14.0/R: 9.5 | 15.7 | 18.1 | P: 3.5/R: 4.5 | P: 4.5/R: 4.5 |
| P: 17.5 | 14.0 | 15.7 | 18.1 | P: 3.5 | P: 4.5 |
| 18.6 | 14.0 | 15.7 | 18.1 | P: 3.5 | - |
| P: 18.0/R: 18.0 | P: 14.0/R: 10.65 | 20.6 | 23.5 | P: 4.5/R: 5.0 | P: 4.0/R: 5.0 |
| P: 18.8/R: 19.8 | P: 16.3/R: 11.3 | 22.0 | 25.4 | - | P: 5.0 / R: 7.0 |
| P: 18.0/R: 18.0 | P: 14.0/R: 10.65 | 20.6 | 25.4 | P: 4.5/R: 5.0 | P: 4.0/R: 5.0 |
| P: 17.5/R: 17.5 | P: 14.0/R: 10.2 | 20.6 | 23.8 | P: 4.0/R: 3.5 | P: 4.5/R: - |
| P: 18.0/R: 19.8 | P: 14.0/R: 11.3 | P: 21.0 R: 22.0 | P: 23.9 R: 25.4 | - | P: 4.4 / R: 7.0 |
| P: 18.0/R: 18.0 | P: 14.0/R: 10.65 | 20.6 | 23.5 | P: 4.5/R: 5.0 | P: 4.0/R: 5.0 |
| P: 18.0/R: 18.0 | P: 14/R: 10.65 | 20.6 | 23.5 | P: 4.5/R: 5.0 | P: 4.0/R: 5.0 |
| P: 19.5/R: 19.5 | P: 14.0/R: 10.2 | 20.6 | 23.8 | P: 4.0/R: 3.5 | P: 4.5/R: - |
| 19.8 | 11.3 | 22.0 | 25.4 | - | R: 7.0 |
| P: 18.0/R: 18.0 | P: 14.0/R: 10.65 | 20.6 | 23.5 | P: 4.5/R: 5.0 | P: 4.0/R: 5.0 |
| 17.0 | 14.0 | 25.4 | 29.3 | P: 4.0 | P: 3.0 |
| P: 17.0/R: 18.0 | P: 14.0/R: 10.0 | 25.4 | 29.3 | P: 4.0/R: 4.0 | P: 3.0/R: 4.0 |
| P: 18.0/R: 18.0 | P: 15.0/R: 10.0 | 25.4 | 29.3 | P: 4.0/R: 4.0 | P: 3.5/R: - |
| 18.0 | 14.0 | 25.4 | 29.3 | P: 4.0 | P: 3.0 |
| P: 17.0/R: 18.0 | P: 14.0/R: 10.0 | 25.4 | 29.3 | P: 4.0/R: 4.0 | P: 3.0/R: 4.0 |
| P: 18.8/R: 18.8 | P: 15.0/R: 10.8 | 25.4 | 29.3 | P: 4.0/R: 4.0 | P: 3.5/R: - |
| 18.0 | 15.0 | 25.4 | 29.3 | P: 4.0 | - |
| 17.0 | 14.0 | 25.4 | 29.3 | P: 4.0 | P: 3.0 |
| P: 19.0/R: 19.0 | P: 15.0/R: 11.0 | 25.4 | 29.3 | P: 4.0/R: 4.0 | P: 3.5/R: - |
| P: 17.0/R: 18.0 | P: 14.0/R: 10.0 | 25.4 | 29.3 | P: 4.0/R: 4.0 | P: 3.0/R: 4.0 |
| 18.0 | 14.8 | 28.5 | 33.0 | P: 4.0 | - |
| P: 18.0/R: 18.0 | P: 14.9/R: 10.3 | 28.5 | 33.0 | P: 4.0/R: 4.0 | P: 4.0/R: 4.0 |
| P: 18.0/R: 18.0 | P: 14.9/R: 9.8 | 28.5 | 32.9 | P: 3.0/R: 3.0 | P: 3.0/R: 3.0 |
| 18.0 | 14.9 | 28.5 | 32.9 | 3.0 | 3.0 |
| 17.9 | 14.6 | 29.0 | 33.5 | - | P: 5.0 |
| P: 18.0/R: 18.0 | P: 14.9/R: 10.3 | 28.5 | 33.0 | P: 4.0/R: 4.0 | P: 4.0/R: 4.0 |
| P: 19.0/R: 19.0 | P: 14.9/R: 10.8 | 28.5 | 32.9 | P: 3.0/R: 3.0 | P: 3.0/R: 3.0 |
| 19.0 | 14.9 | 28.5 | 32.9 | 3.0 | 3.0 |
| 18.8 | 14.8 | 28.5 | 33.0 | P: 4.0 | - |
| 18.8 | 14.8 | 28.5 | 33.0 | P: 4.0 | - |
| 17.6 | 14.9 | 34.9 | 4.0 | P: 3.5 | - |
| - | - | - | - | - | - |
| - | - | - | - | - | - |
| 15.9 | 13.4 | 15.8 | 17.3 | P: 3.0 | - |

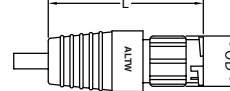
[Note] Design and specification are subject to change without notice.

Physical Dimension

Overmolded with Cable



with Strain Relief / Straight



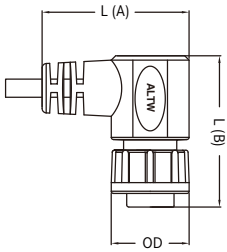
without Strain Relief / Straight

| Current Rating | | Dimension | | Type | L | | OD | |
|----------------|-------------|--------------|------|--------|------|---------------|------|---|
| Size | Shield | Conn. Gender | | Female | Male | Female | Male | |
| Mini Size | - | 2A(AU) | A | 43.5 | 44.5 | 15.2 | 13.5 | - |
| | - | | D | | | | | |
| | Shield | 2A(ASU) | D | - | - | - | - | |
| | - | 5A(AD) | A | 43.5 | 44.5 | 15.2 | 13.5 | |
| | - | 5A(AAD) | A | - | - | - | - | |
| | Shield | 5A(ASD) | D | - | - | - | - | |
| Standard Size | - | 2A(BU) | A | 55.5 | 59.0 | S-20.0/L-18.0 | 14.6 | - |
| | Shield | | B | - | - | - | - | |
| | - | | C | - | - | - | - | |
| | - | 5A(BD) | A | 55.5 | 59.0 | S-20.0/L-18.0 | 14.6 | |
| | - | 5A(ABD) | A | - | - | - | - | |
| | Shield | B | - | - | - | - | | |
| | - | E | - | - | - | - | | |
| | - | 5A+2A(BDU) | A | 55.5 | - | S-20.0/L-18.0 | - | |
| | - | 10A(BB) | A | 55.5 | 59.0 | S-20.0/L-18.0 | 14.6 | |
| | - | 10A(ABB) | A | - | - | - | - | |
| | Shield | 10A(BSB) | C | - | - | - | - | |
| | - | 10A+5A(BBD) | A | 55.5 | 59.0 | S-20.0/L-18.0 | 14.6 | |
| Middle Size | - | 2A(CU) | A | 60.0 | - | L-22.2/S-25.4 | - | |
| | - | 5A(CD) | A | 60.0 | 60.0 | L-22.2/S-25.4 | 20.0 | |
| | - | 5A(ACD) | A | 60.0 | - | L-22.2/S-25.4 | - | |
| | - | 5A+2A(CDU) | A | 60.5 | - | L-22.2/S-25.4 | - | |
| | - | 10A(CB) | A | 60.0 | - | L-22.2/S-25.4 | - | |
| | - | 10A(ACB) | A | 60.0 | - | L-22.2/S-25.4 | - | |
| | - | 10A+2A(CBU) | A | 60.3 | - | 23.0 | - | |
| | - | 10A+5A(CBD) | A | 60.0 | - | L-22.2/S-25.4 | - | |
| | - | 20A(ACC) | A | 60.0 | - | L-22.2/S-25.4 | - | |
| | - | 20A(CC) | A | 60.0 | - | L-22.2/S-25.4 | - | |
| Large Size | - | 2A(DU) | A | 59.5 | - | L-22.2/S-25.4 | - | |
| | - | | D | 59.5 | 59.5 | S-32.0/L-28.5 | 22.5 | |
| | - | 5A(DD) | A | 58.5 | - | S-32.0/L-28.5 | - | |
| | - | 5A(ADD) | D | - | - | - | - | |
| | Shield | 5A(DSD) | E | - | - | - | - | |
| | - | 20A(DC) | A | 59.5 | - | S-32.0/L-28.5 | - | |
| | - | | D | - | - | - | - | |
| | - | 20A(ADC) | A | 59.5 | - | S-32.0/L-28.5 | - | |
| | - | 20A(ADC) | D | - | - | - | - | |
| | - | 20A+2A(DCU) | A | 63.5 | 69.7 | 28.5 | 22.5 | |
| - | 20A+5A(DCD) | A | 71.4 | 71.4 | 28.5 | 22.5 | | |
| Macro Size | - | 5A(ED) | D | 70.0 | - | 33.3 | - | |
| Others | - | 10+5A(GBD) | - | 68.7 | 73.5 | 26.6 | 25.0 | |
| | - | 10A(MAB) | - | 61.5 | 61.5 | 23.0 | 19.4 | |
| | - | 5A(PLD) | C | - | - | - | - | |

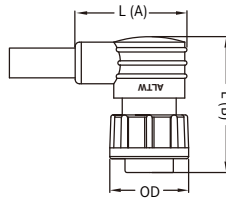
| L | | OD | |
|--------|------|-----------------|------|
| Female | Male | Female | Male |
| 34.0 | 35.3 | 15.2 | 13.5 |
| - | - | - | - |
| 34.0 | 35.3 | 15.2 | 13.5 |
| - | - | - | - |
| 34.0 | - | 15.2 | - |
| - | - | - | - |
| 43.0 | 45.0 | S-20.0/L-18.0 | 14.6 |
| 37.8 | - | 19.0 | - |
| 43.0 | 45.0 | S-20.0/L-18.0 | 14.6 |
| 43.0 | - | S-20.0/L-18.0 | - |
| 37.8 | - | 19.0 | - |
| 43.0 | - | S-20.0/L-18.0 | - |
| 43.0 | 45.0 | S-20.0/L-18.0 | 14.6 |
| 43.0 | - | S-20.0/L-18.0 | - |
| 43.0 | 45.0 | S-20.0/L-18.0 | 14.6 |
| 41.8 | - | L-22.2/S-25.4 | - |
| 41.8 | 41.8 | L-22.2/S-25.4 | 20.0 |
| - | - | - | - |
| 41.8 | - | L-22.2/S-25.4 | - |
| 41.8 | - | L-22.2/S-25.4 | - |
| - | - | - | - |
| - | - | - | - |
| 41.8 | - | L-22.2/S-25.4 | - |
| - | - | - | - |
| 41.8 | - | L-22.2/S-25.4 | - |
| 52.0 | - | S-32.0/L-28.5 | - |
| 52.0 | 52.0 | S-32.0/L-28.5 | 22.5 |
| - | - | - | - |
| 49.3 | - | 30.0 | - |
| 52.0 | - | S32.0 L-28.5 | - |
| - | - | - | - |
| - | - | - | - |
| - | - | - | - |
| - | - | - | - |
| 60.2 | 65.0 | 26.6 | 25.0 |
| 53.0 | 53.0 | 23.0 | 19.4 |
| - | - | - | - |

Circular Connector I Physical Dimension

Overmolded with Cable I Field Installable

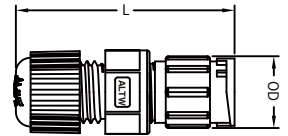


with Strain Relief / Right Angle



without Strain Relief / Right Angle

Field installable



without Strain Relief / Straight

| L [A] | | L [B] | | OD | |
|--------|------|--------|------|---------------|------|
| Female | Male | Female | Male | Female | Male |
| - | - | - | - | - | - |
| - | - | - | - | - | - |
| - | - | - | - | - | - |
| - | - | - | - | - | - |
| - | - | - | - | - | - |
| 34.0 | - | 35.0 | - | S-20.0/L-18.0 | - |
| - | - | - | - | - | - |
| 34.0 | - | 35.0 | - | S-20.0/L-18.0 | - |
| - | - | - | - | - | - |
| - | - | - | - | - | - |
| 34.0 | - | 35.0 | - | S-20.0/L-18.0 | - |
| 34.0 | - | 35.0 | - | S-20.0/L-18.0 | - |
| - | - | - | - | - | - |
| - | - | - | - | - | - |
| 34.0 | - | 35.0 | - | S-20.0/L-18.0 | - |
| - | - | - | - | - | - |
| 42.5 | - | 39.5 | - | 22.2 | - |
| - | - | - | - | - | - |
| - | - | - | - | - | - |
| - | - | - | - | - | - |
| - | - | - | - | - | - |
| - | - | - | - | - | - |
| - | - | - | - | - | - |
| - | - | - | - | - | - |
| - | - | - | - | - | - |
| 44.1 | - | 49.8 | - | S-32.0/L-28.5 | - |
| - | - | - | - | - | - |
| - | - | - | - | - | - |
| 40.0 | - | 40.0 | - | 30.0 | - |
| - | - | - | - | - | - |
| - | - | - | - | - | - |
| - | - | - | - | - | - |
| - | - | - | - | - | - |
| 44.1 | - | 49.8 | - | 28.5 | - |
| - | - | - | - | - | - |
| - | - | - | - | - | - |
| - | - | - | - | - | - |
| - | - | - | - | - | - |

| L [A] | | L [B] | | OD | |
|--------|------|--------|------|---------------|------|
| Female | Male | Female | Male | Female | Male |
| 24.0 | - | 29.4 | - | 15.2 | - |
| - | - | - | - | - | - |
| 24.0 | - | 29.4 | - | 15.2 | - |
| - | - | - | - | - | - |
| - | - | - | - | - | - |
| - | - | - | - | - | - |
| - | - | - | - | - | - |
| 30.0 | - | 33.6 | - | 19.0 | - |
| 25.5 | - | 31.0 | - | S-20.0/L-18.0 | - |
| - | - | - | - | - | - |
| 30.0 | - | 33.6 | - | 19.0 | - |
| - | - | - | - | - | - |
| 25.5 | - | 31.0 | - | S-20.0/L-18.0 | - |
| - | - | - | - | - | - |
| - | - | - | - | - | - |
| 25.5 | - | 31.0 | - | S-20.0/L-18.0 | - |
| - | - | - | - | - | - |
| - | - | - | - | - | - |
| - | - | - | - | - | - |
| - | - | - | - | - | - |
| - | - | - | - | - | - |
| - | - | - | - | - | - |
| - | - | - | - | - | - |
| - | - | - | - | - | - |
| - | - | - | - | - | - |
| - | - | - | - | - | - |
| - | - | - | - | - | - |
| - | - | - | - | - | - |
| - | - | - | - | - | - |
| 40.0 | - | 40.0 | - | 30.0 | - |
| - | - | - | - | - | - |
| - | - | - | - | - | - |
| - | - | - | - | - | - |
| - | - | - | - | - | - |
| - | - | - | - | - | - |
| - | - | - | - | - | - |
| - | - | - | - | - | - |
| - | - | - | - | - | - |
| - | - | - | - | - | - |
| - | - | - | - | - | - |
| - | - | - | - | - | - |

| L | | OD | |
|--------|-------|---------------|------|
| Female | Male | Female | Male |
| 41.5 | 41.5 | 15.2 | 13.5 |
| - | - | - | - |
| 41.5 | 41.5 | 15.2 | 13.5 |
| - | - | - | - |
| - | - | - | - |
| - | - | - | - |
| 44.0 | 43.0 | S-20.0/L-18.0 | 14.6 |
| - | - | - | - |
| 43.0 | 43.0 | S-20.0/L-18.0 | 14.6 |
| - | - | - | - |
| - | - | - | - |
| 43.0 | - | S-20.0/L-18.0 | - |
| 43.0 | 43.0 | S-20.0/L-18.0 | 14.6 |
| - | - | - | - |
| - | - | - | - |
| 43.0 | 43.0 | S-20.0/L-18.0 | 14.6 |
| 48.15 | - | L-22.2/S-25.4 | - |
| 48.15 | 48.65 | L-22.2/S-25.4 | 20.0 |
| - | - | - | - |
| - | - | - | - |
| 48.15 | - | L-22.2/S-25.4 | - |
| - | - | - | - |
| 49.7 | - | 23.0 | - |
| - | - | - | - |
| - | - | - | - |
| 48.15 | - | L-22.2/S-25.4 | - |
| - | - | - | - |
| 54.9 | 54.9 | S-32.0/L-28.5 | 23.0 |
| - | - | - | - |
| - | - | - | - |
| - | - | - | - |
| 54.9 | 54.9 | S-32.0/L-28.5 | 23.0 |
| - | - | - | - |
| - | - | - | - |
| 62.8 | 59.3 | L-28.5 | 23.0 |
| 59.9 | 59.9 | L-28.5 | 23.0 |
| - | - | - | - |
| - | - | - | - |
| 39.2 | 35.3 | 15.0 | 15.0 |

[Note] Design and specification are subject to change without notice.

Contact Configuration














| | Mini Size (A) | | | | | | Standard Size (B) | | | | | | | |
|--------|---------------|----------|-----------|----------|----------|----------|-------------------|----------|-----------|-----------|----------|----------|-----------|-----------|
| | 2A(AU)(ASU) | | 5A(AD) | | 5A(ASD) | | 2A(BU)(BSU) | | 5A(BD) | | 5A(BSD) | | 10A(BB) | |
| 4 5 | MM or FF | MF or FM | MM or FF | MF or FM | MM or FF | MF or FM | MM or FF | MF or FM | MM or FF | MF or FM | MM or FF | MF or FM | MM or FF | MF or FM |
| 2 Pin | | | | | | | | | | | | | | |
| | | | R C F | | R | | | | R C F | R C F | | | R C F | R C F |
| 3 Pin | | | | | | | | | | | | | | |
| | | | R C F | | | | | | R C F | R C F | | | R C F | R C F |
| 4 Pin | | | | | | | | | | | | | | |
| | R C F | | | | | | | | R C F | R C F | R C | | R C F | |
| 5 Pin | | | | | | | | | | | | | | |
| | R C F | | | | | | | | R C F | R C F | R C | | | |
| 6 Pin | | | | | | | | | | | | | | |
| | R C F | | | | | | | | R C F | R C F | R C | | | |
| 7 Pin | | | | | | | | | | | | | | |
| | | | | | | | | | R C F | | R C | | | |
| 8 Pin | | | | | | | | | | | | | | |
| | | | | | | | | | R C F | | R C | | | |
| 9 Pin | | | | | | | | | | | | | | |
| 10 Pin | | | | | | | | | | | | | | |
| | | | | | | | R C F | | | | | | | |
| 12 Pin | | | | | | | | | | | | | | |
| | | | | | | | R C F | | | | | | | |
| 14 Pin | | | | | | | | | | | | | | |
| 18 Pin | | | | | | | | | | | | | | |
| 20 Pin | | | | | | | | | | | | | | |
| 21 Pin | | | | | | | | | | | | | | |
| 22 Pin | | | | | | | | | | | | | | |
| 31 Pin | | | | | | | | | | | | | | |

* Standard Size Metal (BSU): 10 Contact

Circular Connector I Contact Configuration

Standard Size (2A | 5A | 5A+2A | 10A+5A)

Middle Size (2A | 5A | 10A | 20A | 5A+2A | 10A+5A | 10A+2A)

| Standard Size (B) | | | | | | Middle Size (C) | | | |
|---|----------|------------|---|-------------|----------|---|----------|---|--|
| 10A(BSB) | | 5A+2A(BDU) | | 10A+5A(BBD) | | 2A(CU) | | 5A(CD) | |
| MM or FF | MF or FM | MM or FF | MF or FM | MM or FF | MF or FM | MM or FF | MF or FM | MM or FF | MF or FM |
| | | | | | | | | | |
| | | | | | | | | | |
|  | | | | | | | | | |
| R C | | | | | | | | | |
| | | | | | | | | | |
| | | | | | | | | | |
| | | | | | |  | | | |
| | | | | | | R C F | | | |
| | | | | | | | |  |  |
| | | | | | | | | R C F | R C F |
| | | |  | | | | |  |  |
| | | | R C F | | | | | R C F | R C F |
| | | | | | | | |  |  |
| | | | | | | | | R C F | R C F |
| | | | | | | | |  | |
| | | | | | | | | R C F | |
| | | | | | | | |  | |
| | | | | | | | | R C F | |
| | | | | | | | |  | |
| | | | | | | | | R C F | |
| | | | | | |  | | | |
| | | | | | | R C F | | | |
| | | | | | | | | | |
| | | | | | | | | | |
| | | | | | | | | | |
| | | | | | | | | | |
| | | | | | | | | | |
| | | | | | | | | | |
| | | | | | | | | | |
| | | | | | | | | | |

R: Receptacle
 C: Overmolded with Cable
 F: Field Installable

- 2A (AU/ASU/BSU/BU/CU/DU) 1
- ▲ 5A (AD/ASD/BD/BSD/CD/DD/DSD/ED/PLD)
- 10A (BB/BSB/MAB)
- ◇ 20A (CC/DC)
- ▲● 5A+2A (BDU/CDU)
- 10A+2A (CBU)
- ▲ 10A+5A (BBD/CBD/GBD)
- ◇● 20A+2A (DCU)
- ◇▲ 20A+5A (DCD)

Number of Contacts: 2
 e.g. 2 contacts (02)

Connector (Housing) Gender: 4
 Male (M) or Female (F)

Contact Gender: 5
 Male (M) or Female (F)
 Male + Female (D) / (E)*

More to Choose: 6

- Solder (S)
 - Solder Cup
- Screw In (B)
- PCB Type
 - 90° PCB (R)*
 - 180° PCB (P)*
- Crimp (C)*
 - More available:
 1. The plating to gold or tin
 2. Plated thickness
 - * Refer to page 1-5 for ordering info
 - ** PCB and crimp styles are upon request for certain of items.
 - Please contact with ALTW in advance.











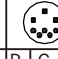




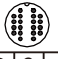

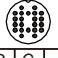
[Note] Design and specification are subject to change without notice.

Circular Connector | Contact Configuration

Middle Size (2A | 5A | 10A | 20A | 5A+2A | 10A+5A | 10A+2A)

Large Size (2A | 5A | 20A | 20A+2A | 20A+5A)

Contact Configuration

| | Middle Size (C) | | | | | | | | | | Large Size (D) | | | |
|--------|---|---|---|---|------------|----------|---|---|---|---|--|---|---|----------|
| | 10A(CB) | | 20A(CC) | | 5A+2A(CDU) | | 10A+5A(CBD) | | 10A+2A(CBU) | | 2A(DU) | | 5A(DD)(DSD) | |
| 4 5 | MM or FF | MF or FM | MM or FF | MF or FM | MM or FF | MF or FM | MM or FF | MF or FM | MM or FF | MF or FM | MM or FF | MF or FM | MM or FF | MF or FM |
| 2 Pin | | | |  | | | | | | | | | | |
| | | | | R C F | | | | | | | | | | |
| 3 Pin | | |  | | | | | | | | | | | |
| | | | R C F | | | | | | | | | | | |
| 4 Pin |  |  | | | | | | | | | | | | |
| | R C F | R C F | | | | | | | | | | | | |
| 5 Pin |  |  | | | | | | | | | | | | |
| | R C F | R C F | | | | | | | | | | | | |
| 6 Pin |  | | | | | | | | | | | | | |
| | R C F | | | | | | | | | | | | | |
| 7 Pin | | | | | | | | | | | | | | |
| 8 Pin | | | | | | |  |  |  |  | | | | |
| | | | | | | | R C F | R C F | R C F | R C F | | | | |
| 9 Pin | | | | | | | | | | | | | | |
| 10 Pin | | | | | | | | | | | | | | |
| 12 Pin | | | | | | |  | | | | | | | |
| | | | | | | | R C F | | | | | | | |
| 14 Pin | | | | | | |  | | | | | | | |
| | | | | | | | R C F | | | | | | | |
| 18 Pin | | | | | | | | | | | |  |  | |
| | | | | | | | | | | | | R C F | R C F | |
| 20 Pin | | | | | | | | | | |  | | | |
| | | | | | | | | | | | R C F | | | |
| 21 Pin | | | | | | | | | | |  | | | |
| | | | | | | | | | | | R C F | | | |
| 22 Pin | | | | | | | | | | |  | | | |
| | | | | | | | | | | | R C F | | | |
| 31 Pin | | | | | | | | | | | | | | |

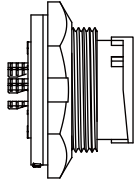
Circular Connector I Contact Configuration
Large Size (2A | 5A | 10A | 20A | 20A+2A | 20A+5A)
Macro Size (5A)
Other Size (10A+5A | 10A | 5A)

| Large Size (D) | | | | | | Marco Size (E) | | Other Size | | | | | |
|----------------|----------|-------------|-----------|-------------|-----------|----------------|----------|-------------|----------|----------|----------|----------|----------|
| 20A(DC) | | 20A+2A(DCU) | | 20A+5A(DCD) | | 5A(ED) | | 10A+5A(GBD) | | 10A(MAB) | | 5A(PLD) | |
| MM or FF | MF or FM | MM or FF | MF or FM | MM or FF | MF or FM | MM or FF | MF or FM | MM or FF | MF or FM | MM or FF | MF or FM | MM or FF | MF or FM |
| | | | | | | | | | | | | | |
| R C F | | | | | | | | | | | | | R F |
| | | | | | | | | | | | | | |
| R C F | | | | | | | | | | | | | R F |
| | | | | | | | | | | | | | |
| R C F | | | | | | | | | | C | | | R F |
| | | | | | | | | | | | | | |
| R C F | | | | | | | | | | | | | |
| | | | | | | | | | | | | | |
| R C F | | | | | | | | C | | | | | |
| | | | | | | | | | | | | | |
| | | R C F | R C F | | | | | | | | | | |
| | | | | | | | | | | | | | |
| | | | | | | | | | | | | | |
| | | | | R C F | R C F | | | | | | | | |
| | | | | | | | | | | | | | |
| | | | | | | | | | | | | | |
| | | | | | | | | | | | | | |
| | | | | | | | | R C | | | | | |

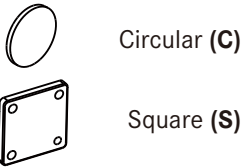
[Note] Design and specification are subject to change without notice.

Product Features

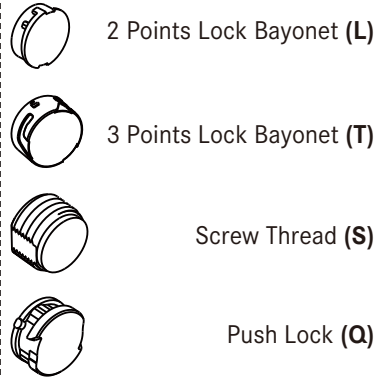
Receptacle



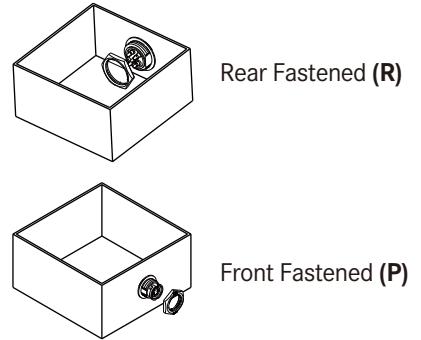
Flange 8



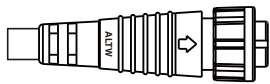
Mating Style 7



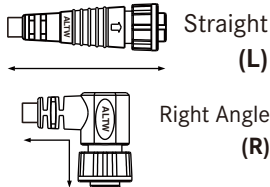
Connector Body(Style) 3



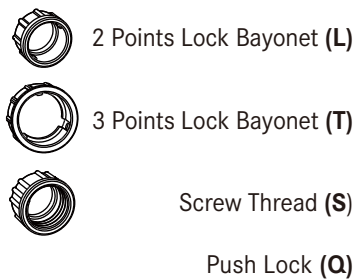
Overmolded with Cable



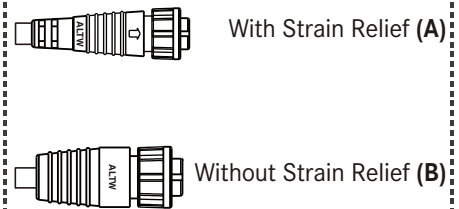
Backshell 8



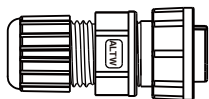
Mating Style 7



Connector Body(Style) 3



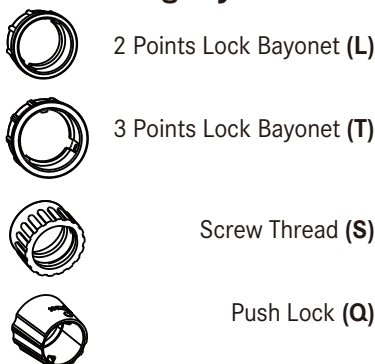
Field Installable



Backshell 8



Mating Style 7

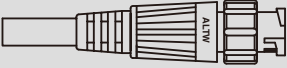
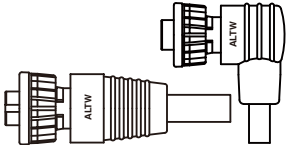
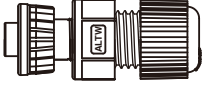


Connector Body(Style) 3



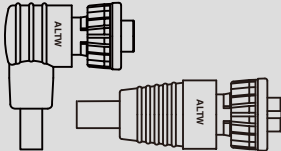
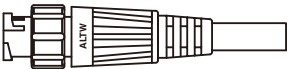
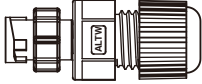
Find Our Standard Products

Mini Size: 2 Points Lock Bayonet > In-Line

| | | | | |
|--|-------------------|---|--|---|
| <ul style="list-style-type: none"> • Male Connector (Housing) • Male Contacts • 2 Points Lock Bayonet | | Overmolded with Cable | Overmolded with Cable | Field Installable |
| | |  |  |  |
| Current Rating (Code) | Contacts 2 | Male Connector (M) Male Contacts (M) | Female Connector (F) Female Contacts (F) | Female Connector (F) Female Contacts (F) |
| 2A (AU) | 04,05,06 | AU- 2 AMMM-LL6A ^{XX} * AU- 2 BMMM-LL7A ^{XX} * | AU- 2 AFFM-LL6A ^{XX} * AU- 2 BFFM-LL7A ^{XX} * AU- 2 BFFM-LR6A ^{XX} * | AU- 2 BFFA-LL7001 |
| 5A (AD) | 02,03 | AD- 2 AMMM-LL6A ^{XX} * AD- 2 BMMM-LL7A ^{XX} * | [A]AD- 2 BFFM-LL7A ^{XX} * AD- 2 BFFM-LR6A ^{XX} * | AD- 2 BFFA-LL7001 |

* XX: Choose the cable length from 01~99m
** [A] Stamp pin

Mini Size: 2 Points Lock Bayonet > In-Line

| | | | | |
|--|-------------------|--|--|---|
| <ul style="list-style-type: none"> • Female Connector (Housing) • Female Contacts • 2 Points Lock Bayonet | | Overmolded with Cable | Overmolded with Cable | Field Installable |
| | |  |  |  |
| Current Rating (Code) | Contacts 2 | Female Connector (F) Female Contacts (F) | Male Connector (M) Male Contacts (M) | Male Connector (M) Male Contacts (M) |
| 2A (AU) | 04,05,06 | AU- 2 AFFM-LL6A ^{XX} * AU- 2 BFFM-LL7A ^{XX} * AU- 2 BFFM-LR6A ^{XX} * | AU- 2 AMMM-LL6A ^{XX} * AU- 2 BMMM-LL7A ^{XX} * | AU- 2 BMMA-LL7001 |
| 5A (AD) | 02,03 | [A]AD- 2 BFFM-LL7A ^{XX} * AD- 2 BFFM-LR6A ^{XX} * | AD- 2 AMMM-LL6A ^{XX} * AD- 2 BMMM-LL7A ^{XX} * | AD- 2 BMMA-LL7001 |

* XX: Choose the cable length from 01~99m
** [A] Stamp pin

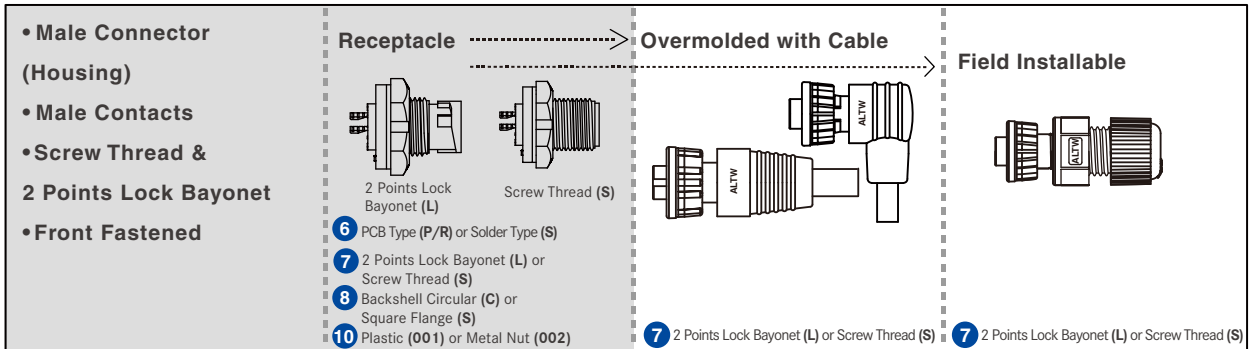
[Note] Design and specification are subject to change without notice.

Circular Connector | Find Our Standard Products

Mini Size: Screw Thread and 2 Points Lock Bayonet

Receptacle and Mating Pair | Receptacle with Overmolded Cable and Mating Pair

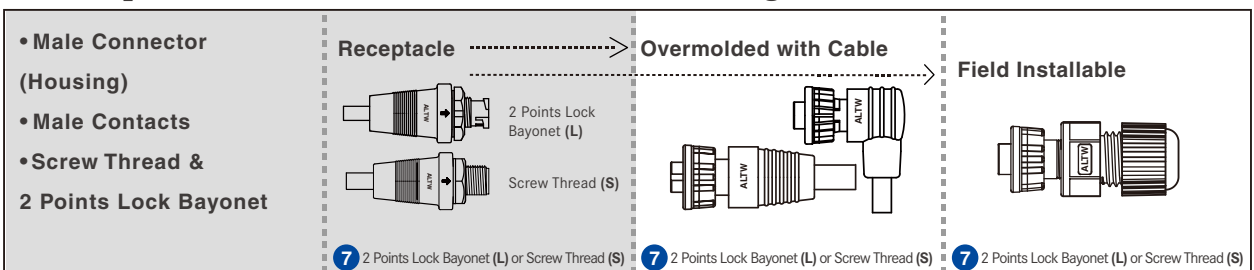
Mini Size: 7/16"-28 UNS and 2 Points Lock Bayonet > Receptacle and Mating Pair



| Current Rating (Code) | Contacts 2 | Male Connector (M) Male Contacts (M) | Female Connector (F) Female Contacts (F) | Female Connector (F) Female Contacts (F) |
|-----------------------|-------------------|---|---|---|
| 2A (AU) | 04,05,06 | AU- 2 PMM 6-78 7001 AU- 2 RMMS- 7 C7001 | AU- 2 AFFM- 7 L6A <u>XX</u> * AU- 2 BFFM- 7 L7A <u>XX</u> * AU- 2 BFFM- 7 R6A <u>XX</u> * | AU- 2 BFFA- 7 L7001 |
| 2A (ASU) *Metal | 04,05,06 | ASU- 2 PMMS- LS 710 | AU- 2 AFFM-LL6A <u>XX</u> * AU- 2 BFFM-LL7A <u>XX</u> * AU- 2 BFFM-LR6A <u>XX</u> * | AU- 2 BFFA-LL7001 |
| 5A (AD) | 02,03 | AD- 2 PMMP- 78 7001 [A]AD- 2 PMMS- 78 7001 [A]DD- 2 RMMS- 7 C7001 | [A]AD- 2 BFFM- 7 L7A <u>XX</u> * AD- 2 BFFM- 7 R6A <u>XX</u> * | AD- 2 BFFA- 7 L7001 |
| 5A (ASD) *Metal | 02,03 | ASD- 2 PMM 6 -LS 710 | [A]AD- 2 BFFM-LL7A <u>XX</u> * AD- 2 BFFM-LR6A <u>XX</u> * | AD- 2 BFFA-LL7001 |

* XX: Choose the cable length from 01~99m ** [A] Stamp pin

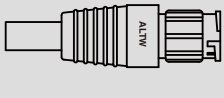
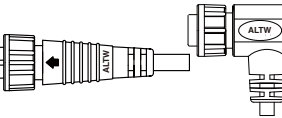

Mini Size: 7/16"-28 UNS and 2 Points Lock Bayonet > Receptacle with Overmolded Cable and Mating Pair



| Current Rating (Code) | Contacts 2 | Male Connector (M) Male Contacts (M) | Female Connector (F) Female Contacts (F) | Female Connector (F) Female Contacts (F) |
|-----------------------|-------------------|---|---|---|
| 2A (AU) | 04,05,06 | AU- 2 PMMM- 7 L7A <u>XX</u> * | AU- 2 AFFM- 7 L6A <u>XX</u> * AU- 2 BFFM- 7 L7A <u>XX</u> * AU- 2 BFFM- 7 R6A <u>XX</u> * | AU- 2 BFFA- 7 L7001 |
| 5A (AD) | 02,03 | AD- 2 PMMM- 7 L7A <u>XX</u> * | [A]AD- 2 BFFM- 7 L7A <u>XX</u> * AD- 2 BFFM- 7 R6A <u>XX</u> * | AD- 2 BFFA- 7 L7001 |

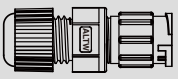
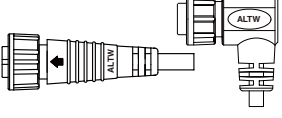
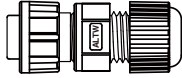
* XX: Choose the cable length from 01~99m ** [A] Stamp pin

Standard Size: 2 Points Lock Bayonet > In-Line

| <ul style="list-style-type: none"> • Male Connector (Housing) • Male Contacts • 2 Points Lock Bayonet | | Overmolded with Cable  | Overmolded with Cable  | Field Installable  |
|--|--------------------------|---|--|---|
| Current Rating (Code) | Contacts ② | Male Connector (M) Male Contacts (M) | Female Connector (F) Female Contacts (F) | Female Connector (F) Female Contacts (F) |
| 2A (BU) | 10, 12 | BU-② AMMM-LL6A ^{XX} * BU-② BMMM-LL7A ^{XX} * | BU-② AFFM-LL6A ^{XX} * BU-② AFFM-LR7A ^{XX} * BU-② BFFM-LL7A ^{XX} * BU-② BFFM-LR6A ^{XX} * | BU-② BFFA-LL700 1 |
| 5A (BD) | 02,03,04, 05,06,07,08 | BD-② AMMM-LL6A ^{XX} * BD-② BMMM-LL7A ^{XX} * | [A]BD-② BFFM-LL7A ^{XX} * BD-② AFFM-LR7A ^{XX} * BD-② BFFM-LR6A ^{XX} * | BD-② BFFA-LL700 1 |
| 10A (BB) | 02,03,04 | BB-② AMMM-LL6A ^{XX} * BB-② BMMM-LL7A ^{XX} * | [A]BB-② BFFM-LL7A ^{XX} * BB-② AFFM-LR7A ^{XX} * BB-② BFFM-LR6A ^{XX} * | BB-② BFFA-LL700 1 |

* XX: Choose the cable length from 01~99m
 ** [A] Stamp pin

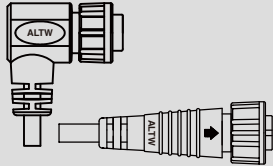
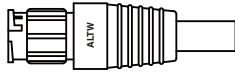
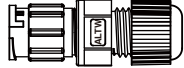
Standard Size: 2 Points Lock Bayonet > In-Line

| <ul style="list-style-type: none"> • Male Connector (Housing) • Male Contacts • 2 Points Lock Bayonet | | Field Installable  | Overmolded with Cable  | Field Installable  |
|--|--------------------------|---|--|---|
| Current Rating (Code) | Contacts ② | Male Connector (M) Male Contacts (M) | Female Connector (F) Female Contacts (F) | Female Connector (F) Female Contacts (F) |
| 2A (BU) | 10, 12 | BU-② BMMA-LL700 1 | BU-② AFFM-LL6A ^{XX} * BU-② AFFM-LR7A ^{XX} * BU-② BFFM-LL7A ^{XX} * BU-② BFFM-LR6A ^{XX} * | BU-② BFFA-LL700 1 |
| 5A (BD) | 02,03,04, 05,06,07,08 | BD-② BMMA-LL700 1 | [A]BD-② BFFM-LL7A ^{XX} * BD-② AFFM-LR7A ^{XX} * BD-② BFFM-LR6A ^{XX} * | BD-② BFFA-LL700 1 |
| 10A (BB) | 02,03,04 | BB-② BMMA-LL700 1 | [A]BB-② BFFM-LL7A ^{XX} * BB-② AFFM-LR7A ^{XX} * BB-② BFFM-LR6A ^{XX} * | BB-② BFFA-LL700 1 |

* XX: Choose the cable length from 01~99m
 ** [A] Stamp pin

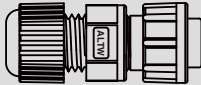
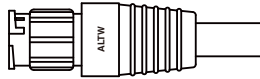
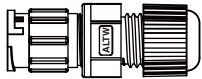
[Note] Design and specification are subject to change without notice.

Standard Size: 2 Points Lock Bayonet > In-Line

| <ul style="list-style-type: none"> Female Connector (Housing) Female Contacts 2 Points Lock Bayonet | | Overmolded with Cable →  | Overmolded with Cable →  | Field Installable  |
|--|--------------------------|--|---|---|
| Current Rating (Code) | Contacts 2 | Female Connector (F) Female Contacts (F) | Male Connector (M) Male Contacts (M) | Male Connector (M) Male Contacts (M) |
| 2A (BU) | 10, 12 | BU- 2 AFFM-LL6A ^{XX} * BU- 2 AFFM-LR7A ^{XX} * BU- 2 BFFM-LL7A ^{XX} * BU- 2 BFFM-LR6A ^{XX} * | BU- 2 AMMM-LL6A ^{XX} * BU- 2 BMMM-LL7A ^{XX} * | BU- 2 BMMA-LL7001 |
| 5A (BD) | 02,03,04, 05,06,07,08 | [A]BD- 2 BFFM-LL7A ^{XX} * BD- 2 AFFM-LR7A ^{XX} * BD- 2 BFFM-LR6A ^{XX} * | BD- 2 AMMM-LL6A ^{XX} * BD- 2 BMMM-LL7A ^{XX} * | BD- 2 BMMA-LL7001 |
| 10A (BB) | 02,03,04 | [A]BB- 2 BFFM-LL7A ^{XX} * BB- 2 AFFM-LR7A ^{XX} * BB- 2 BFFM-LR6A ^{XX} * | BB- 2 AMMM-LL6A ^{XX} * BB- 2 BMMM-LL7A ^{XX} * | BB- 2 BMMA-LL7001 |

* XX: Choose the cable length from 01~99m
 ** [A] Stamp pin

Standard Size: 2 Points Lock Bayonet > In-Line

| <ul style="list-style-type: none"> Female Connector (Housing) Female Contacts 2 Points Lock Bayonet | | Field Installable →  | Overmolded with Cable →  | Field Installable  |
|--|--------------------------|---|---|---|
| Current Rating (Code) | Contacts 2 | Female Connector (F) Female Contacts (F) | Male Connector (M) Male Contacts (M) | Male Connector (M) Male Contacts (M) |
| 2A (BU) | 10, 12 | BU- 2 BFFA-LL7001 | BU- 2 AMMM-LL6A ^{XX} * BU- 2 BMMM-LL7A ^{XX} * | BU- 2 BMMA-LL7001 |
| 5A (BD) | 02,03,04, 05,06,07,08 | BD- 2 BFFA-LL7001 | BD- 2 AMMM-LL6A ^{XX} * BD- 2 BMMM-LL7A ^{XX} * | BD- 2 BMMA-LL7001 |
| 10A (BB) | 02,03,04 | BB- 2 BFFA-LL7001 | BB- 2 AMMM-LL6A ^{XX} * BB- 2 BMMM-LL7A ^{XX} * | BB- 2 BMMA-LL7001 |

* XX: Choose the cable length from 01~99m

Standard Size: 2 Points Lock Bayonet > In-Line

| | | | | |
|--|--------------------|--|--|---|
| <ul style="list-style-type: none"> Female Connector (Housing) Male Contacts 2 Points Lock Bayonet | | | | |
| Current Rating (Code) | Contacts 2 | Female Connector (F) Male Contacts (M) | Male Connector (M) Female Contacts (F) | Male Connector (M) Female Contacts (F) |
| 5A (BD) | 02,03,04, 05,06 | [A]BD- 2 BFMM-LL7A ^{XX} * BD- 2 AFMM-LR7A ^{XX} * BD- 2 BFMM-LR6A ^{XX} * | BD- 2 AMFM-LL6A ^{XX} * BD- 2 BMFM-LL7A ^{XX} * | BD- 2 BMFA-LL7001 |
| 10A (BB) | 02,03 | [A]BB- 2 BFMM-LL7A ^{XX} * BB- 2 AFMM-LR7A ^{XX} * BB- 2 BFMM-LR6A ^{XX} * | BB- 2 PMFM-LL7A ^{XX} * | - |
| 5A+2A (BDU) | 08 (2+6) | BDU-08AFMM-LL6A ^{XX} * BDU-08AFMM-LR7A ^{XX} * BDU-08BFMM-LL7A ^{XX} * | BDU-08PMFM-LL7A ^{XX} * | - |
| 10A+5A (BBD) | 06 (2+4) | BBD- 2 AFMM-LL6A ^{XX} * BBD- 2 AFMM-LR7A ^{XX} * BBD- 2 BFMM-LL7A ^{XX} * BBD- 2 BFMM-LR6A ^{XX} * | BBD-06PMFM-LL7A ^{XX} * | BBD-06BMFA-LL7001 |

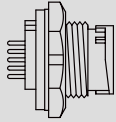
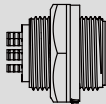
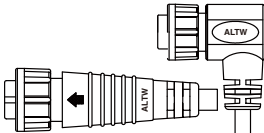
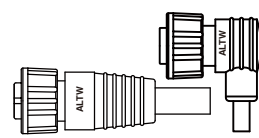
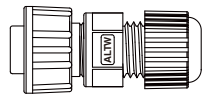
【Note】 BDU-08AMFM-LL6A^{XX} and BDU-08BMFM-LL7A^{XX} are coming soon.

* ^{XX}: Choose the cable length from 01~99m

** [A] Stamp pin

【Note】 Design and specification are subject to change without notice.

Standard Size: 5/8"-27 UNS and 2 Points Lock Bayonet > Receptacle and Mating Pair

| | | | | |
|---|----------------------|--|--|---|
| <ul style="list-style-type: none"> • Male Connector (Housing) • Male Contacts • Screw Thread & 2 Points Lock Bayonet • Front Fastened & Rear Fastened | | <p>Receptacle</p>  <p>2 Points Lock Bayonet (L)</p>  <p>Screw Thread (S)</p> <p>6 PCB Type (P/R) or Solder Type (S)</p> <p>7 2 Points Lock Bayonet (L) or Screw Thread (S)</p> | <p>Overmolded with Cable</p>  <p>2 Points Lock Bayonet (L)</p>  <p>Screw Thread (S)</p> <p>7 2 Points Lock Bayonet (L) or Screw Thread (S)</p> | <p>Field Installable</p>  <p>7 2 Points Lock Bayonet (L) or Screw Thread (S)</p> |
| | | <p>Current Rating (Code)</p> <p>Contacts 2</p> <p>Male Connector (M) Male Contacts (M)</p> | <p>Female Connector (F) Female Contacts (F)</p> | <p>Female Connector (F) Female Contacts (F)</p> |
| 2A (BU) | 10,12 | BU-2PMM6-7C7001 BU-2RMMS-7C7001 | BU-2AFFM-7L6A ^{XX} * BU-2AFFM-7R7A ^{XX} * BU-2BFFM-7L7A ^{XX} * BU-2BFFM-LR6A ^{XX} * | BU-2BFFA-7L7001 |
| 2A (BSU) *Metal | 10 | BSU-2PMM6-SC7001 BSU-2RMMS-SC7001 | BSU-10BFFM-SL7A ^{XX} * BSU-10BFFM-SR6A ^{XX} * | - |
| 5A (BD) | 02,03,04,05,06,07,08 | BD-2PMMP-7C7001 BD-2PMMR-7C7001 [A]BD-2PMMS-7C7001 [A]BD-2RMMS-7C7001 | [A]BD-2BFFM-7L7A ^{XX} * BD-2AFFM-7R7A ^{XX} * BD-2BFFM-7R6A ^{XX} * | BD-2BFFA-7L7001 |
| 5A (BSD) | 04,05,06,07,08 | BSD-2PMM6-SC7001 BSD-06RMMS-SC7001 BSD-08RMMS-SC7001 | BSD-2BFFM-SL6A ^{XX} * BSD-2BFFM-SR6A ^{XX} * | - |
| 10A (BB) | 02,03,04 | [A]BB-2PMMS-7C7001 [A]BB-2RMMS-7C7001 | [A]BB-2BFFM-7L7A ^{XX} * BB-2AFFM-7R7A ^{XX} * BB-2BFFM-7R6A ^{XX} * | BB-2BFFA-7L7001 |
| 10A (BSB) *Metal | 04 | BSB-04RMMS-SC7001 | BSB-04BFFM-SL7A ^{XX} * | - |

* XX: Choose the cable length from 01-99m
 ** [A] Stamp pin

∟ **Standard Size: 5/8"-27 UNS and 2 Points Lock Bayonet >**
Receptacle with Overmolded Cable and Mating Pair

| | | | | |
|---|---|---|--|---|
| <ul style="list-style-type: none"> • Male Connector (Housing) • Male Contacts • Screw Thread & 2 Points Lock Bayonet | | Receptacle → Screw Thread (S) 2 Points Lock Bayonet (L) | Overmolded with Cable → 2 Points Lock Bayonet (L) Screw Thread (S) | Field Installable 2 Points Lock Bayonet (L) or Screw Thread (S) |
| Current Rating (Code) | Contacts ② | Male Connector (M) Male Contacts (M) | Female Connector (F) Female Contacts (F) | Female Connector (F) Female Contacts (F) |
| 2A (BU) | 10, 12 | BU- ② PMMM- ⑦ L7A <u>XX</u> * | BU- ② AFFM- ⑦ L6A <u>XX</u> * BU- ② AFFM- ⑦ R7A <u>XX</u> * BU- ② BFFM- ⑦ L7A <u>XX</u> * BU- ② BFFM- ⑦ R6A <u>XX</u> * | BU- ② BFFA- ⑦ L7001 |
| 5A (BD) | 02,03,04, 05,06,07,08 | BD- ② PMMM- ⑦ L7A <u>XX</u> * | [A]BD- ② BFFM- ⑦ L7A <u>XX</u> * BD- ② AFFM- ⑦ R7A <u>XX</u> * BD- ② BFFM- ⑦ R6A <u>XX</u> * | BD- ② BFFA- ⑦ L7001 |
| 10A (BB) | 02,03,04 | BB- ② PMMM- ⑦ L7A <u>XX</u> * | [A]BB- ② BFFM- ⑦ L7A <u>XX</u> * BB- ② AFFM- ⑦ R7A <u>XX</u> * BB- ② BFFM- ⑦ R6A <u>XX</u> * | BB- ② BFFA- ⑦ L7001 |

* XX: Choose the cable length from 01~99m
 ** [A] Stamp pin

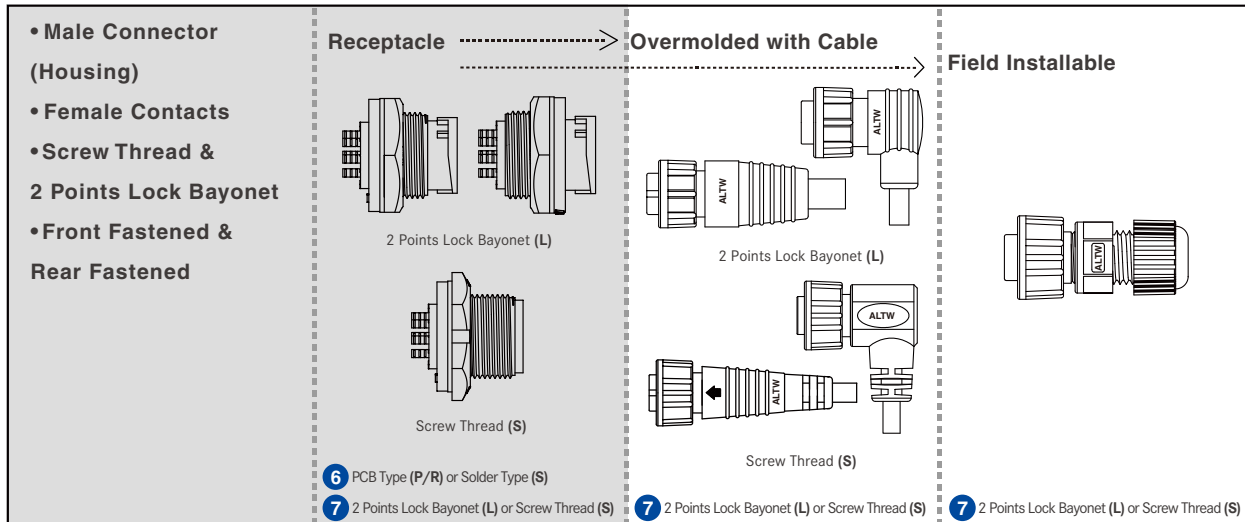
【Note】 Design and specification are subject to change without notice.

Circular Connector | Find Our Standard Products

Standard Size: Screw Thread and 2 Points Lock Bayonet

Receptacle and Mating Pair

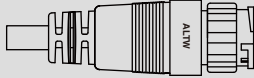
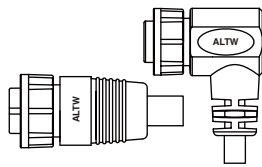
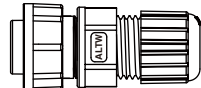
Standard Size: 5/8"-27 UNS and 2 Points Lock Bayonet > Receptacle and Mating Pair



| Current Rating (Code) | Contacts 2 | Male Connector (M) Female Contacts (F) | Female Connector (F) Male Contacts (M) | Female Connector (F) Male Contacts (M) |
|-----------------------|--------------------|---|--|---|
| 5A (BD) | 02,03,04, 05,06 | BD- 2 PMFP- 7 C7001 [A]BD- 2 PMFS- 7 C7001 [A]BD- 2 RMFS- 7 C7001 | [A]BD- 2 BFMM- 7 L7A XX * BD- 2 AFMM- 7 R7A XX * BD- 2 BFMM- 7 R6A XX * | BD- 2 BFMA- 7 L7001 |
| 10A (BB) | 02,03 | BB- 2 PMFP- 7 C7001 [A]BB- 2 PMFS- 7 C7001 [A]BB- 2 RMFS- 7 C7001 | [A]BB- 2 BFMM- 7 L7A XX * BB- 2 AFMM- 7 R7A XX * BB- 2 BFMM- 7 R6A XX * | BB- 2 BFMA- 7 L7001 |
| 5A+2A (BDU) | 08 (2+6) | BDU-08PMF 6 - 7 C7001 BDU-08RMFS- 7 C7001 | BDU-08AFMM- 7 L6A XX * BDU-08AFMM- 7 R7A XX * BDU-08BFMM- 7 L7A XX * | BDU-08BFMA- 7 L7001 |
| 10A+5A (BBD) | 06 (2+4) | BBD-06PMF 6 - 7 C7001 BBD-06RMFS- 7 C7001 | BBD-06AFMM- 7 L6A XX * BBD-06AFMM- 7 R7A XX * BBD-06BFMM- 7 L7A XX * BBD-06BFMM- 7 R6A XX * | BBD-06BFMA- 7 L7001 |

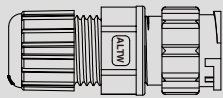
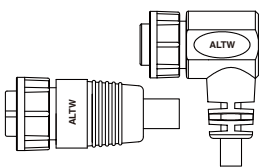
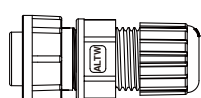
* ~~XX~~: Choose the cable length from 01~99m
** [A] Stamp pin

➤ Middle Size: 2 Points Lock Bayonet > In-Line

| | | | | |
|--|-----------------------|---|--|---|
| <ul style="list-style-type: none"> • Male Connector (Housing) • Male Contacts • 2 Points Lock Bayonet | | Overmolded with Cable →  | Overmolded with Cable →  | Field Installable  |
| Current Rating (Code) | Contacts 2 | Male Connector (M) Male Contacts (M) | Female Connector (F) Female Contacts (F) | Female Connector (F) Female Contacts (F) |
| 5A (CD) | 07,08,09, 10,12,14 | CD-2AMMM-LL7A ^{XX} * CD-2BMMM-LL6A ^{XX} * | [A]CD-2AFFM-LL7A ^{XX} * CD-2AFFM-LR7A ^{XX} * | CD-2BFFA-LL7001 |

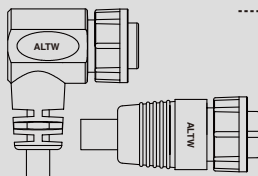
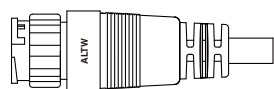
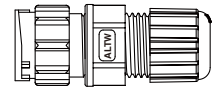
* XX: Choose the cable length from 01~99m
** [A] Stamp pin

➤ Middle Size: 2 Points Lock Bayonet > In-Line

| | | | | |
|--|-----------------------|--|---|--|
| <ul style="list-style-type: none"> • Male Connector (Housing) • Male Contacts • 2 Points Lock Bayonet | | Field Installable  | Overmolded with Cable →  | Field Installable  |
| Current Rating (Code) | Contacts 2 | Male Connector (M) Male Contacts (M) | Female Connector (F) Female Contacts (F) | Female Connector (F) Female Contacts (F) |
| 5A (CD) | 07,08,09, 10,12,14 | CD-2BMMA-LL7001 | [A]CD-2AFFM-LL7A ^{XX} * CD-2AFFM-LR7A ^{XX} * | CD-2BFFA-LL7001 |

* XX: Choose the cable length from 01~99m
** [A] Stamp pin

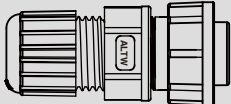
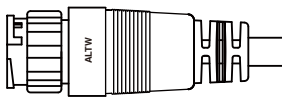
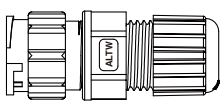
➤ Middle Size: 2 Points Lock Bayonet > In-Line

| | | | | |
|--|-----------------------|---|--|---|
| <ul style="list-style-type: none"> • Female Connector (Housing) • Female Contacts • 2 Points Lock Bayonet | | Overmolded with Cable →  | Overmolded with Cable →  | Field Installable  |
| Current Rating (Code) | Contacts 2 | Female Connector (F) Female Contacts (F) | Male Connector (M) Male Contacts (M) | Male Connector (M) Male Contacts (M) |
| 5A (CD) | 07,08,09, 10,12,14 | [A]CD-2AFFM-LL7A ^{XX} * CD-2AFFM-LR7A ^{XX} * | CD-2AMMM-LL7A ^{XX} * CD-2BMMM-LL6A ^{XX} * | CD-2BMMA-LL7001 |

* XX: Choose the cable length from 01~99m
** [A] Stamp pin

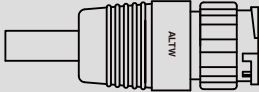
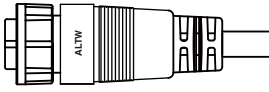
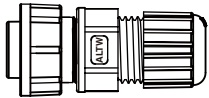
[Note] Design and specification are subject to change without notice.

∟ Middle Size: 2 Points Lock Bayonet > In-Line

| | | | | |
|--|-----------------------|--|---|--|
| <ul style="list-style-type: none"> • Female Connector (Housing) • Female Contacts • 2 Points Lock Bayonet | | Field Installable  | Overmolded with Cable  | Field Installable  |
| Current Rating (Code) | Contacts 2 | Female Connector (F) Female Contacts (F) | Male Connector (M) Male Contacts (M) | Male Connector (M) Male Contacts (M) |
| 5A (CD) | 07,08,09, 10,12,14 | CD- 2 BFFA-LL7001 | CD- 2 AMMM-LL7A \underline{XX} * CD- 2 BMMM-LL6A \underline{XX} * | CD- 2 BMMA-LL7001 |

* \underline{XX} : Choose the cable length from 01~99m

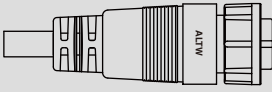
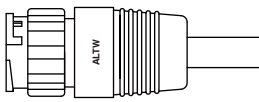
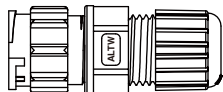
∟ Middle Size: 2 Points Lock Bayonet > In-Line

| | | | | |
|--|-------------------|---|---|---|
| <ul style="list-style-type: none"> • Male Connector (Housing) • Female Contacts • 2 Points Lock Bayonet | | Overmolded with Cable  | Overmolded with Cable  | Field Installable  |
| Current Rating (Code) | Contacts 2 | Male Connector (M) Female Contacts (F) | Female Connector (F) Male Contacts (M) | Female Connector (F) Male Contacts (M) |
| 5A (CD) | 07,08,09 | CD- 2 AMFM-LL7A \underline{XX} * CD- 2 BMFM-LL6A \underline{XX} * | [A]CD- 2 AFMM-LL7A \underline{XX} * | CD- 2 BFMA-LL7001 |

* \underline{XX} : Choose the cable length from 01~99m

** [A] Stamp pin

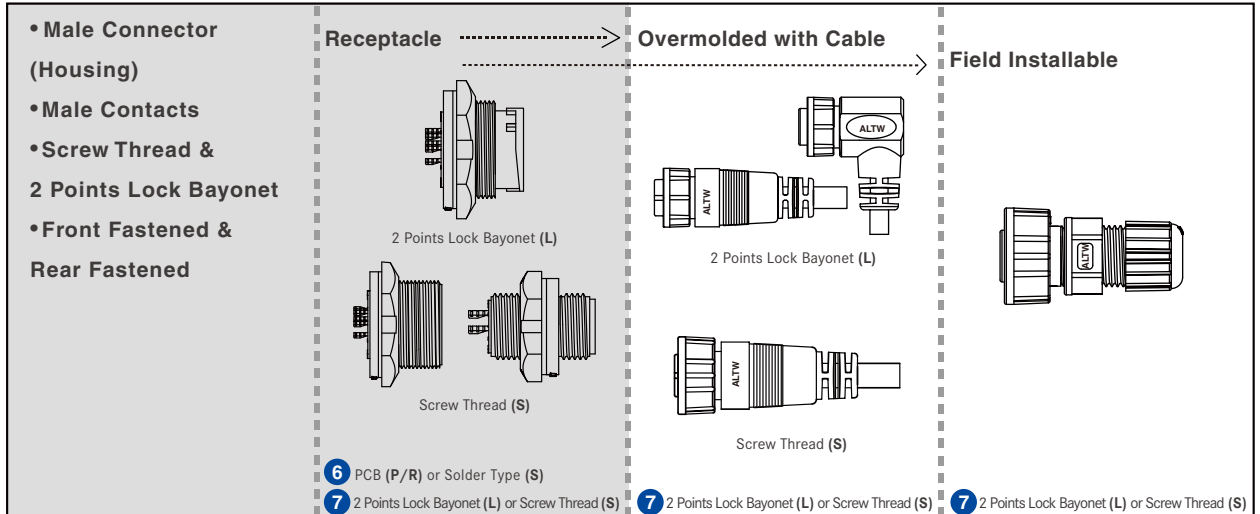
∟ Middle Size: 2 Points Lock Bayonet > In-Line

| | | | | |
|--|-------------------|--|---|--|
| <ul style="list-style-type: none"> • Female Connector (Housing) • Male Contacts • 2 Points Lock Bayonet | | Overmolded with Cable  | Overmolded with Cable  | Field Installable  |
| Current Rating (Code) | Contacts 2 | Female Connector (F) Male Contacts (M) | Male Connector (M) Female Contacts (F) | Male Connector (M) Female Contacts (F) |
| 5A (CD) | 07,08,09 | [A]CD- 2 AFMM-LL7A \underline{XX} * | CD- 2 AMFM-LL7A \underline{XX} * CD- 2 BMFM-LL6A \underline{XX} * | CD- 2 BMFA-LL7001 |

* \underline{XX} : Choose the cable length from 01~99m

** [A] Stamp pin

▾ Middle Size: 13/16"-28 UNS and 2 Points Lock Bayonet > Receptacle and Mating Pair

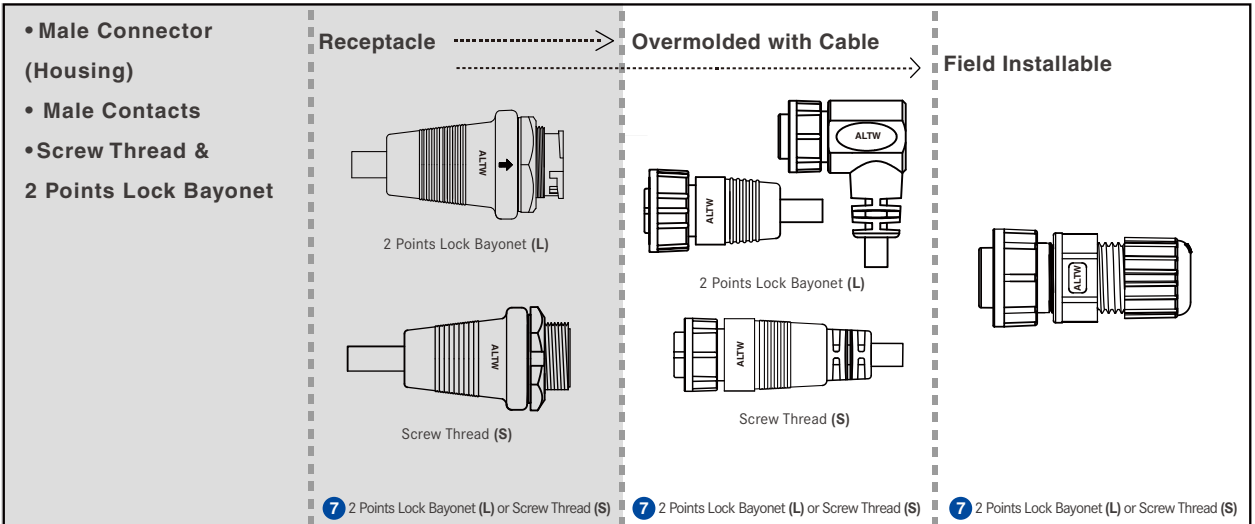


| Current Rating (Code) | Contacts ² | Male Connector (M) Male Contacts (M) | Female Connector (F) Female Contacts (F) | Female Connector (F) Female Contacts (F) |
|-----------------------|-----------------------|---|--|---|
| 2A (CU) | 18 | CU-18PMMP- ⁷ C7001 CU-18PMMP-SC7002 | CU-18AFFM- ⁷ L7A ^{XX} * CU-18BFFM- ⁷ L6A ^{XX} * | CU-18BFFA- ⁷ L7001 |
| 5A (CD) | 07,08,09, 10,12,14 | CD- ² PMMP- ⁷ C7001 [A]CD- ² PMMS- ⁷ C7001 [A]CD- ² RMMS- ⁷ C7001 | [A]CD- ² AFFM- ⁷ L7A ^{XX} * CD- ² AFFM-LR7A ^{XX} * | CD- ² BFFA- ⁷ L7001 |
| 10A (CB) | 04,05,06 | CB- ² PMMP- ⁷ C7001 [A]CB- ² PMMS- ⁷ C7001 [A]CB- ² RMMS- ⁷ C7001 | [A]CB- ² AFFM- ⁷ L7A ^{XX} * | CB- ² BFFA- ⁷ L7001 |
| 10A+5A (CBD) | 08 (2+6) | CBD-08PMM ⁶ - ⁷ C7001 | CBD-08AFFM- ⁷ L7A ^{XX} * CBD-08BFFM- ⁷ L6A ^{XX} * | CBD-08BFFA- ⁷ L7001 |
| 20A (CC) | 03 | [A]CC-03PMMS- ⁷ C7001 [A]CC-03RMMS-LC7001 CC-03RMMS- ⁷ C7001 | [A]CC-03AFFM- ⁷ L7A ^{XX} * | CC-03BFFA- ⁷ L7001 |

* XX: Choose the cable length from 01~99m
 ** [A] Stamp pin

[Note] Design and specification are subject to change without notice.

∟ **Middle Size: 13/16"-28 UNS and 2 Points Lock Bayonet >**
Receptacle with Overmolded Cable and Mating Pair



| Current Rating (Code) | Contacts 2 | Male Connector (M) Male Contacts (M) | Female Connector (F) Female Contacts (F) | Female Connector (F) Female Contacts (F) |
|-----------------------|-----------------------|---|--|---|
| 5A (CD) | 07,08,09, 10,12,14 | CD- 2 PMMM- 7 L7A <u>XX</u> * | [A]CD- 2 AFFM- 7 L7A <u>XX</u> * CD- 2 AFFM-LR7A <u>XX</u> * | CD- 2 BFFA- 7 L7001 |
| 10A (CB) | 04,05,06 | CB- 2 PMMM- 7 L7A <u>XX</u> * | [A]CB- 2 AFFM- 7 L7A <u>XX</u> * | CB- 2 BFFA- 7 L7001 |
| 20A (CC) | 03 | CC-03PMMM-SL7A <u>XX</u> * | [A]CC-03AFFM-SL7A <u>XX</u> * | CC-03BFFA- 7 L7001 |

* XX: Choose the cable length from 01-99m
 ** [A] Stamp pin

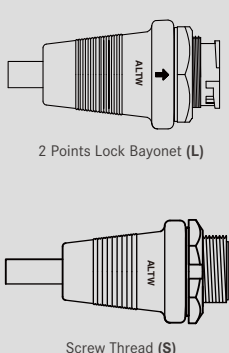
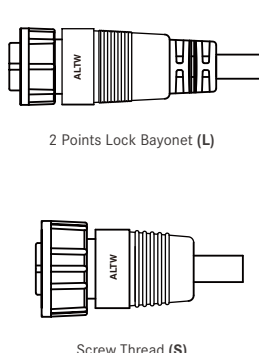
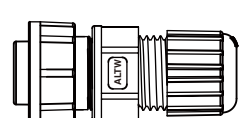
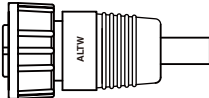
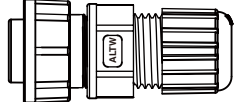
▾ Middle Size: 13/16"-28 UNS and 2 Points Lock Bayonet >
 Receptacle and Mating Pair

| <ul style="list-style-type: none"> • Male Connector (Housing) • Female Contacts • Screw Thread & 2 Points Lock Bayonet • Rear Fastened | | Receptacle | Overmolded with Cable | Field Installable |
|--|------------------------|--|---|--|
| | | <p>2 Points Lock Bayonet (L)</p> <p>Screw Thread (S)</p> | <p>2 Points Lock Bayonet (L)</p> <p>Screw Thread (S)</p> | <p>2 Points Lock Bayonet (L) or Screw Thread (S)</p> |
| | | <p>⑥ PCB (P/R) or Solder Type (S)</p> <p>⑦ 2 Points Lock Bayonet (L) or Screw Thread (S)</p> | <p>⑦ 2 Points Lock Bayonet (L) or Screw Thread (S)</p> | <p>⑦ 2 Points Lock Bayonet (L) or Screw Thread (S)</p> |
| Current Rating (Code) | Contacts ② | Male Connector (M) Female Contacts (F) | Female Connector (F) Male Contacts (M) | Female Connector (F) Male Contacts (M) |
| 5A (CD) | 07,08,09 | CD-②PMFP-⑦C7001 [A]CD-②PMFS-⑦C7001 [A]CD-②RMFS-⑦C7001 | [A]CD-②AFMM-⑦L7A \underline{XX} * | CD-②BFMA-⑦L7001 |
| 5A+2A (CDU) | 12 (2+10) 14 (2+12) | CDU-②PMF ⑥-⑦C7001 | CDU-②AFMM-⑦L7A \underline{XX} * CDU-②BFMM-⑦L6A \underline{XX} * CDU-②BFMM-⑦L7A \underline{XX} * | CDU-②BFMA-⑦L7001 |
| 10A (CB) | 04,05 | CB-②PMFP-⑦C7001 [A]CB-②PMFS-⑦C7001 [A]CB-②RMFS-⑦C7001 | [A]CB-②AFMM-⑦L7A \underline{XX} * | CB-②BFMA-⑦L7001 |
| 10A+5A (CBD) | 08 (2+6) | CBD-08PMF ⑥-⑦C7001 | CBD-08AFMM-⑦L7A \underline{XX} * CBD-08BFMM-⑦L6A \underline{XX} * | CBD-08BFMA-⑦L7001 |
| 20A (CC) | 02 | CC-02PMFS-LC7001 | CC-02AFMM-LL7A \underline{XX} * | - |

* \underline{XX} : Choose the cable length from 01~99m
 ** [A] Stamp pin

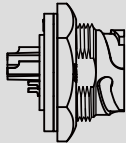
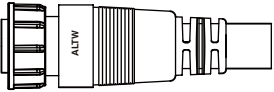
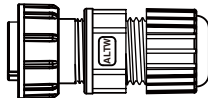
【Note】 Design and specification are subject to change without notice.

∟ Middle Size: 13/16"-28 UNS and 2 Points Lock Bayonet >
Receptacle with Overmolded Cable and Mating Pair

| | | | | |
|---|------------|--|--|--|
| <ul style="list-style-type: none"> • Male Connector (Housing) • Female Contacts • Screw Thread & 2 Points Lock Bayonet | | <p>Receptacle</p>  <p>2 Points Lock Bayonet (L)</p>  <p>Screw Thread (S)</p> | <p>Overmolded with Cable</p>  <p>2 Points Lock Bayonet (L)</p>  <p>Screw Thread (S)</p> | <p>Field Installable</p>  |
| | | <p>⑦ 2 Points Lock Bayonet (L) or Screw Thread (S)</p> | | <p>⑦ 2 Points Lock Bayonet (L) or Screw Thread (S)</p> |
| Current Rating (Code) | Contacts ② | Male Connector (M) Female Contacts (F) | Female Connector (F) Male Contacts (M) | Female Connector (F) Male Contacts (M) |
| 5A (CD) | 07,08,09 | CD-② PMFM-⑦ L7A ^{XX} * | [A]CD-② AFMM-⑦ L7A ^{XX} * | CD-② BFMA-⑦ L7001 |
| 10A (CB) | 04,05 | CB-② PMFM-⑦ L7A ^{XX} * | [A]CB-② AFMM-⑦ L7A ^{XX} * | CB-② BFMA-⑦ L7001 |

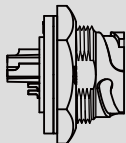
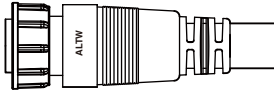
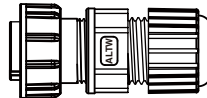
* XX: Choose the cable length from 01~99m
** [A] Stamp pin

▾ Middle Size: 3 Points Lock Bayonet > Receptacle and Mating Pair

| <ul style="list-style-type: none"> • Male Connector (Housing) • Female Power+Male Signal • 3 Points Lock Bayonet • Front Fastened | | <p>Receptacle</p>  | <p>Overmolded with Cable</p>  | <p>Field Installable</p>  |
|---|----------|---|---|--|
| Current Rating (Code) | Contacts | Male Connector (M) Female Power+Male Signal (D) | Female Connector (F) Male Power+Female Signal (E) | Female Connector (F) Male Power+Female Signal (E) |
| 10A+2A (CBU) | 08 (3+5) | CBU-08PMDS-TC7001 | CBU-08AFEM-TL7A ^{XX} * | CBU-08BFEA-TL7001 |

* XX: Choose the cable length from 01~99m

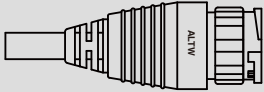
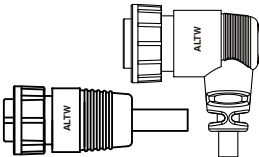
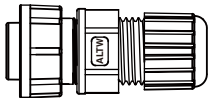
▾ Middle Size: 3 Points Lock Bayonet > Receptacle and Mating Pair

| <ul style="list-style-type: none"> • Male Connector (Housing) • Male Power+Female Signal • 3 Points Lock Bayonet • Front Fastened | | <p>Receptacle</p>  | <p>Overmolded with Cable</p>  | <p>Field Installable</p>  |
|---|----------|--|---|--|
| Current Rating (Code) | Contacts | Male Connector (M) Male Power+Female Signal (E) | Female Connector (F) Female Power+Male Signal (D) | Female Connector (F) Female Power+Male Signal (D) |
| 10A+2A (CBU) | 08 (3+5) | CBU-08PMES-TC7001 | CBU-08AFDM-TL7A ^{XX} * | CBU-08BFDA-TL7001 |

* XX: Choose the cable length from 01~99m

【Note】 Design and specification are subject to change without notice.

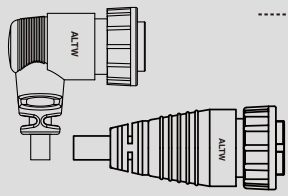
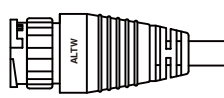

∟ Large Size: 2 Points Lock Bayonet > In-Line

| | | | | |
|--|----------|---|---|---|
| <ul style="list-style-type: none"> • Male Connector (Housing) • Male Contacts • 2 Points Lock Bayonet | | Overmolded with Cable →  | Overmolded with Cable →  | Field Installable  |
| Current Rating (Code) | Contacts | Male Connector (M) Male Contacts (M) | Female Connector (F) Female Contacts (F) | Female Connector (F) Female Contacts (F) |
| 5A (DD) | 18 | DD-18AMMM-LL7A ^{XX} * DD-18BMMM-LL6A ^{XX} * | [A]DD-18AFFM-LL7A ^{XX} * DD-18AFFM-LR7A ^{XX} * | DD-18BFFA-LL7001 |

* XX: Choose the cable length from 01~99m

** [A] Stamp pin

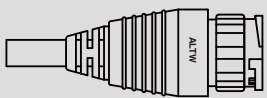
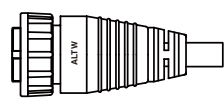
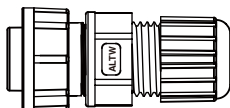
∟ Large Size: 2 Points Lock Bayonet > In-Line

| | | | | |
|--|----------|--|--|--|
| <ul style="list-style-type: none"> • Female Connector (Housing) • Female Contacts • 2 Points Lock Bayonet | | Overmolded with Cable →  | Overmolded with Cable →  | Field Installable  |
| Current Rating (Code) | Contacts | Female Connector (F) Female Contacts (F) | Male Connector (M) Male Contacts (M) | Male Connector (M) Male Contacts (M) |
| 5A (DD) | 18 | [A]DD-18AFFM-LL7A ^{XX} * DD-18AFFM-LR7A ^{XX} * | DD-18AMMM-LL7A ^{XX} * DD-18BMMM-LL6A ^{XX} * | DD-18BMMA-LL7001 |

* XX: Choose the cable length from 01~99m

** [A] Stamp pin


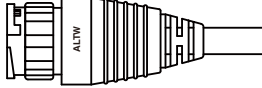
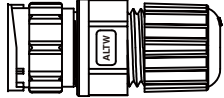
∟ Large Size: 2 Points Lock Bayonet > In-Line

| | | | | |
|--|----------|---|---|---|
| <ul style="list-style-type: none"> • Male Connector (Housing) • Female Contacts • 2 Points Lock Bayonet | | Overmolded with Cable →  | Overmolded with Cable →  | Field Installable  |
| Current Rating (Code) | Contacts | Male Connector (M) Female Contacts (F) | Female Connector (F) Male Contacts (M) | Female Connector (F) Male Contacts (M) |
| 5A (DD) | 18 | DD-18AMFM-LL7A ^{XX} * DD-18BMFM-LL6A ^{XX} * | [A]DD-18AFMM-LL7A ^{XX} * | DD-18BFMA-LL7001 |

* XX: Choose the cable length from 01~99m

** [A] Stamp pin

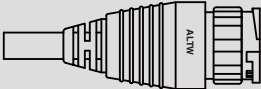
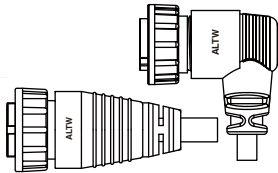
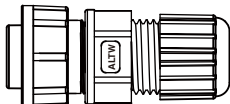
Large Size: 2 Points Lock Bayonet > In-Line

| | | | | |
|--|----------|---|--|---|
| <ul style="list-style-type: none"> Female Connector (Housing) Male Contacts 2 Points Lock Bayonet | | Overmolded with Cable  | Overmolded with Cable  | Field Installable  |
| Current Rating (Code) | Contacts | Female Connector (F) Male Contacts (M) | Male Connector (M) Female Contacts (F) | Male Connector (M) Female Contacts (F) |
| 5A (DD) | 18 | [A]DD-18AFMM-LL7A ^{XX} * | DD-18AMFM-LL7A ^{XX} * DD-18BMFM-LL6A ^{XX} * | DD-18BMFA-LL7001 |

* XX: Choose the cable length from 01~99m

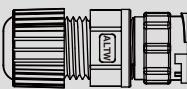
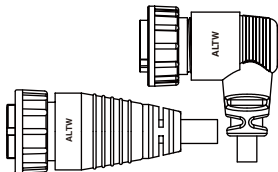
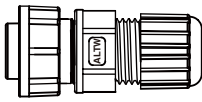
** [A] Stamp pin

Large Size: 2 Points Lock Bayonet > In-Line

| | | | | |
|---|----------|--|---|--|
| <ul style="list-style-type: none"> Male Connector (Housing) Female Power+Male Signal 2 Points Lock Bayonet | | Overmolded with Cable  | Overmolded with Cable  | Field Installable  |
| Current Rating (Code) | Contacts | Male Connector (M) Female Power+Male Signal (D) | Female Connector (F) Male Power+Female Signal (E) | Female Connector (F) Male Power+Female Signal (E) |
| 20A+2A (DCU) | 08 (3+5) | DCU-08AMD-LL7B ^{XX} * | DCU-08AFEM-LL7B ^{XX} * | DCU-08BFEM-LL7001 |
| 20A+5A (DCD) | 12 (3+9) | DCD-12AMD-LL7A ^{XX} * | DCD-12AFEM-LL7A ^{XX} * DCD-12AFEM-LR7A ^{XX} * | DCD-12BFEM-LL7001 |

* XX: Choose the cable length from 01~99m


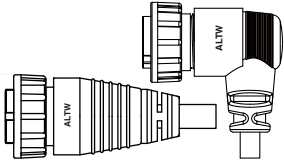
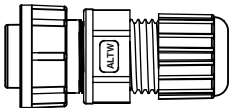
Large Size: 2 Points Lock Bayonet > In-Line

| | | | | |
|---|----------|---|--|---|
| <ul style="list-style-type: none"> Male Connector (Housing) Female Power+Male Signal 2 Points Lock Bayonet | | Field Installable  | Overmolded with Cable  | Field Installable  |
| Current Rating (Code) | Contacts | Male Connector (M) Female Power+Male Signal (D) | Female Connector (F) Male Power+Female Signal (E) | Female Connector (F) Male Power+Female Signal (E) |
| 20A+2A (DCU) | 08 (3+5) | DCU-08BMFA-LL7001 | DCU-08AFEM-LL7B ^{XX} * | DCU-08BFEM-LL7001 |
| 20A+5A (DCD) | 12 | DCD-12BMFA-LL7001 | DCD-12AFEM-LL7A ^{XX} * DCD-12AFEM-LR7A ^{XX} * | DCD-12BFEM-LL7001 |

* XX: Choose the cable length from 01~99m


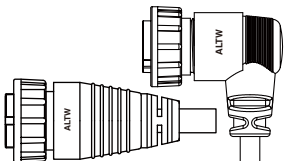
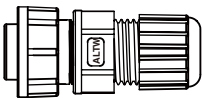
[Note] Design and specification are subject to change without notice.

Large Size: 2 Points Lock Bayonet > In-Line

| <ul style="list-style-type: none"> • Male Connector (Housing) • Male Power+Female Signal • 2 Points Lock Bayonet | | Overmolded with Cable → | Overmolded with Cable → | Field Installable |
|---|----------|---|--|---|
| | |  |  |  |
| Current Rating (Code) | Contacts | Male Connector (M) Male Power+Female Signal (E) | Female Connector (F) Female Power+Male Signal (D) | Female Connector (F) Female Power+Male Signal (D) |
| 20A+2A (DCU) | 08 (3+5) | DCU-08AMEM-LL7BXX* | DCU-08AFDM-LL7BXX* | DCU-08BFDA-LL7001 |
| 20A+5A (DCD) | 12 (3+9) | DCD-12AMEM-LL7AXX* | DCD-12AFDM-LL7AXX* DCD-12AFDM-LR7AXX* | DCD-12BFDA-LL7001 |

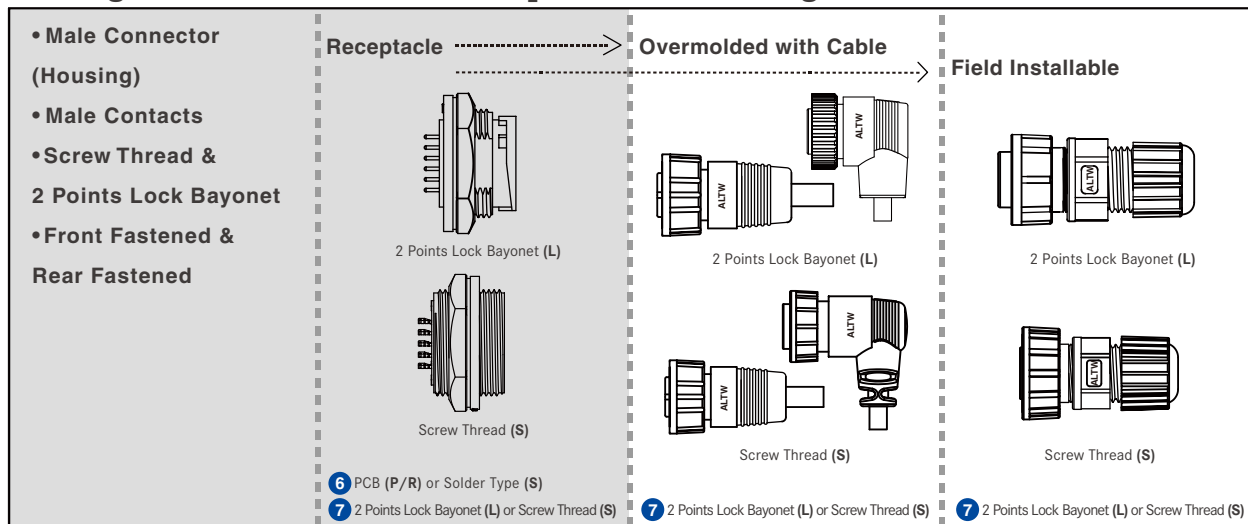
* XX: Choose the cable length from 01~99m

Large Size: 2 Points Lock Bayonet > In-Line

| <ul style="list-style-type: none"> • Male Connector (Housing) • Male Power+Female Signal • 2 Points Lock Bayonet | | Field Installable → | Overmolded with Cable → | Field Installable |
|---|----------|--|---|--|
| | |  |  |  |
| Current Rating (Code) | Contacts | Male Connector (M) Male Power+Female Signal (E) | Female Connector (F) Female Power+Male Signal (D) | Female Connector (F) Female Power+Male Signal (D) |
| 20A+2A (DCU) | 08 (3+5) | DCU-08BMEA-LL7001 | DCU-08AFDM-LL7BXX* | DCU-08BFDA-LL7001 |
| 20A+5A (DCD) | 12 (3+9) | DCD-12BMEA-LL7001 | DCD-12AFDM-LL7AXX* DCD-12AFDM-LR7AXX* | DCD-12BFDA-LL7001 |

* XX: Choose the cable length from 01~99m

Large Size: 1"-20 UNEF > Receptacle and Mating Pair



| Current Rating (Code) | Contacts 2 | Male Connector (M) Male Contacts (M) | Female Connector (F) Female Contacts (F) | Female Connector (F) Female Contacts (F) |
|-----------------------|-----------------------|--|---|--|
| 2A (DU) | 20,21,22 | DU-2 PMM 6 - 7 C7001 | DU-2 AFFM-7 L7A _{XX} * DU-2 BFFM-7 L6A _{XX} * | - |
| 5A (DD) | 18 | DD-18PMMP-7 C7001 [A]DD-18PMMS-7 C7001 [A]DD-18PMMS-7 S7001 [A]DD-18RMMS-7 C7001 DD-18PMMP-7 S7001 | [A]DD-18AFFM-7 L7A _{XX} * DD-18AFFM-7 R7A _{XX} * | DD-18BFFA-7 L7001 |
| 20A (DC) | 02,03,04, 05,06,07 | DC-2 PMMP-7 C7001 [A]DC-2 PMMS-7 C7001 [A]DC-2 RMMS-7 C7001 DC-2 PMMP-7 S7001 [A]DC-2 PMMS-7 S7001 | [A]DC-2 AFFM-7 L7A _{XX} * | DC-2 BFFA-7 L7001 DC-02BFFB-7 L7001 DC-03BFFB-LL7001 |

* XX: Choose the cable length from 01~99m

** [A] Stamp pin

[Note] Design and specification are subject to change without notice.

Large Size: 1"-20UNEF and 2 Points Lock Bayonet > Receptacle and Mating Pair

| <ul style="list-style-type: none"> • Male Connector (Housing) • Female Contacts • Screw Thread & 2 Points Lock Bayonet • Front Fastened | | <p>Receptacle</p> <p>2 Points Lock Bayonet (L)</p> <p>Screw Thread (S)</p> | <p>Overmolded with Cable</p> <p>2 Points Lock Bayonet (L)</p> <p>Screw Thread (S)</p> | <p>Field Installable</p> <p>2 Points Lock Bayonet (L)</p> <p>Screw Thread (S)</p> |
|---|------------|--|---|---|
| | | <p>6 PCB (P/R) or Solder Type (S)</p> <p>7 2 Points Lock Bayonet (L) or Screw Thread (S)</p> | <p>7 2 Points Lock Bayonet (L) or Screw Thread (S)</p> | <p>7 2 Points Lock Bayonet (L) or Screw Thread (S)</p> |
| Current Rating (Code) | Contacts 2 | Male Connector (M) Female Contacts (F) | Female Connector (F) Male Contacts (M) | Female Connector (F) Male Contacts (M) |
| 5A (DD) | 18 | DD-18PMFP-7 C7001 [A]DD-18PMFS-7 C7001 DD-18PMFP-7 S7001 [A]DD-18PMFS-7 S7001 [A]DD-18RMFS-7 C7001 | [A]DD-18AFMM-7 L7A _{XX} * | DD-18BFMA-7 L7001 |
| 5A (DSD) *Metal | 18 | DSD-18PMF 6-SS8001 DSD-18PMF 6-SS8002 | DSD-18BFMM-SL6A _{XX} * DSD-18BFMM-SR6A _{XX} * | - |
| 20A (DC) | 02,03 | DC-2 PMFP-7 C7001 | - | DC-2 BFMB-7 L7001 |

* XX: Choose the cable length from 01~99m

** [A] Stamp pin

Large Size: 2 Points Lock Bayonet > Receptacle and Mating Pair

| | | | | |
|---|----------|--|--|--|
| <ul style="list-style-type: none"> • Male Connector (Housing) • Female Power+Male Signal • 2 Points Lock Bayonet • Front Fastened | | <p>Receptacle</p> <p>PCB (P/R) Type Solder Type (S)</p> <p>6 PCB (P/R) or Solder Type (S)</p> | <p>Overmolded with Cable</p> | <p>Field Installable</p> |
| Current Rating (Code) | Contacts | Male Connector (M) Female Power+Male Signal (D) | Female Connector (F) Male Power+Female Signal (E) | Female Connector (F) Male Power+Female Signal (E) |
| 20A+2A (DCU) | (3+5) | DCU-08PMDS-LC7001 | DCU-08AFEM-LL7BXX* | DCU-08BFEA-LL7001 |
| 20A+5A (DCD) | (3+9) | DCD-12PMD 6-LC7001 | DCD-12AFEM-LL7AXX* DCD-12AFEM-LR7AXX* | DCD-12BFEA-LL7001 |

* XX: Choose the cable length from 01~99m

Large Size: 2 Points Lock Bayonet > Receptacle and Mating Pair

| | | | | |
|---|----------|--|--|--|
| <ul style="list-style-type: none"> • Male Connector (Housing) • Male Power+Female Signal • 2 Points Lock Bayonet • Front Fastened | | <p>Receptacle</p> | <p>Overmolded with Cable</p> | <p>Field Installable</p> |
| Current Rating (Code) | Contacts | Male Connector (M) Male Power+Female Signal (E) | Female Connector (F) Female Power+Male Signal (D) | Female Connector (F) Female Power+Male Signal (D) |
| 20A+2A (DCU) | (3+5) | DCU-08PMES-LC7001 | DCU-08AFDM-LL7BXX* | DCU-08BFDA-LL7001 |
| 20A+5A (DCD) | (3+9) | DCD-12PMES-LC7001 | DCD-12AFDM-LL7AXX* DCD-12AFDM-LR7AXX* | DCD-12BFDA-LL7001 |

* XX: Choose the cable length from 01~99m


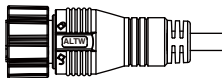
Macro Size: 2 Points Lock Bayonet > Receptacle and Mating pair

| | | | | |
|--|----------|---|---|---|
| <ul style="list-style-type: none"> • Male Connector (Housing) • Female Contacts • 2 Points Lock Bayonet • Front Fastened | | <p>Receptacle</p> <p>6 PCB (P) or Solder Type (S)</p> | <p>Overmolded with Cable</p> | <p>Field Installable</p> |
| Current Rating (Code) | Contacts | Male Connector (M) Female Contacts (F) | Female Connector (F) Male Contacts (M) | Female Connector (F) Male Contacts (M) |
| 5A (ED) | 31 | ED-31PMF 6-LS7001 | ED-31AFMM-LL7AXX* | - |

* XX: Choose the cable length from 01~99m


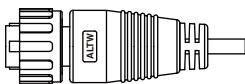
[Note] Design and specification are subject to change without notice.

Other Size: 3 Points Lock Bayonet > In-Line

| | | | | |
|--|----------|---|---|---|
| <ul style="list-style-type: none"> • Male Connector (Housing) • Male Contacts • 3 Points Lock Bayonet | | Overmolded with Cable -->  | Overmolded with Cable  | Field Installable |
| Current Rating (Code) | Contacts | Male Connector (M) Male Contacts (M) | Female Connector (F) Female Contacts (F) | Female Connector (F) Female Contacts (F) |
| 10A+5A (GBD) | 08 | GBD-08AMMM-TL8AXX* GBD-08BMMM-TL7AXX* | GBD-08AFFM-TL8AXX* GBD-08BFFM-TL7AXX* | - |

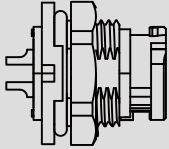
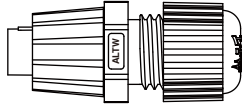
* XX: Choose the cable length from 01~99m

Other Size: 2 Points Lock Bayonet > In-Line

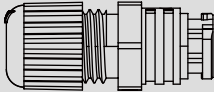
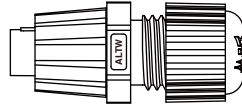
| | | | | |
|--|----------|--|--|---|
| <ul style="list-style-type: none"> • Male Connector (Housing) • Female Contacts • 2 Points Lock Bayonet | | Overmolded with Cable -->  | Overmolded with Cable  | Field Installable |
| Current Rating (Code) | Contacts | Male Connector (M) Female Contacts (F) | Female Connector (F) Male Contacts (M) | Female Connector (F) Male Contacts (M) |
| 10A (MAB) | 04 | MAB-04AMFM-LL7AXX* MAB-04BMFM-LL6AXX* | MAB-04AFMM-LL7AXX* MAB-04BFMM-LL6AXX* | - |

* XX: Choose the cable length from 01~99m

∟ **Other Size: Push Lock > In-Line**

| | | | | |
|--|-------------------|---|--|---|
| <ul style="list-style-type: none"> • Male Connector (Housing) • Female Contacts • Push Lock • Front Fastened | | <p>Receptacle →</p>  | <p>Field Installable →</p>  | <p>Field Installable</p> |
| Current Rating (Code) | Contacts 2 | Male Connector (M) Female Contacts (F) | Female Connector (F) Male Contacts (M) | Female Connector (F) Male Contacts (M) |
| 5A (PLD) | 02,03,04 | PLD- 2 PMFS-QC7001 | PLD- 2 BFMA-QL7001 | - |

∟ **Other Size: Push Lock > In-Line**

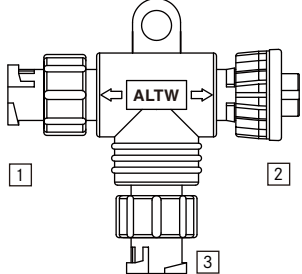
| | | | | |
|--|-------------------|---|---|---|
| <ul style="list-style-type: none"> • Male Connector (Housing) • Female Contacts • Push Lock | | <p>Field Installable →</p>  | <p>Field Installable →</p>  | <p>Field Installable</p> |
| Current Rating (Code) | Contacts 2 | Male Connector (M) Female Contacts (F) | Female Connector (F) Male Contacts (M) | Female Connector (F) Male Contacts (M) |
| 5A (PLD) | 02,03,04 | PLD- 2 BMFA-QL7001 | PLD- 2 BFMA-QL7001 | - |

【Note】 Design and specification are subject to change without notice.

Accessories

Mini Size: 7/16"-28 UNS and 2 Points Lock Bayonet > T-Adaptor

Customization - Upon Request



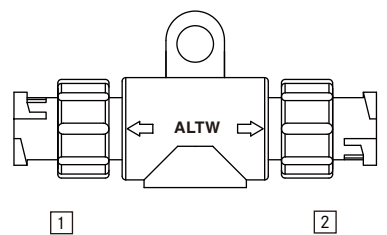
5 For connector 1
6 For connector 2
7 For connector 3

Choose Connector / Contacts Gender:
M: Male + Male
F: Female + Female

| Current Rating | Contacts 2 | Mating Style | Connector 1 (Male Connector / Male Contacts) | Connector 1 (Female Connector / Female Contacts) | More options |
|----------------|---------------|-----------------------|---|---|--------------------------|
| | | | Connector 2 (Male Connector / Male Contacts) | Connector 2 (Female Connector / Female Contacts) | |
| | | | Connector 3 (Male Connector / Male Contacts) | Connector 3 (Female Connector / Female Contacts) | |
| 5A | 02,03 | Screw Thread | AA- 2 2 2 -MMM-TS001 | AA- 2 2 2 -FFF-TS001 | AA- 2 2 2 - 5 6 7 -TS001 |
| | | 2 Points Lock Bayonet | AA- 2 2 2 -MMM-TL001 | AA- 2 2 2 -FFF-TL001 | AA- 2 2 2 - 5 6 7 -TL001 |
| 2A | 04,05,06 | Screw Thread | AA- 2 2 2 -MMM-TS001 | AA- 2 2 2 -FFF-TS001 | AA- 2 2 2 - 5 6 7 -TS001 |
| | | 2 Points Lock Bayonet | AA- 2 2 2 -MMM-TL001 | AA- 2 2 2 -FFF-TL001 | AA- 2 2 2 - 5 6 7 -TL001 |

Mini Size: 7/16"-28 UNS and 2 Points Lock Bayonet > I-Adaptor

Customization - Upon Request



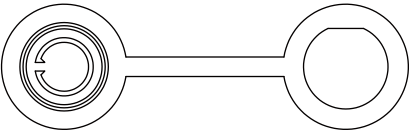
6 For connector 1
7 For connector 2

Choose Connector / Contacts Gender:
(M): Male + Male
(F): Female + Female

| Current Rating | Contacts 3 | Mating Style | Connector 1 (Male Connector / Male Contacts) | Connector 1 (Female Connector / Female Contacts) | More options |
|-----------------------|----------------------|-----------------------|---|---|-------------------------|
| | | | Connector 2 (Male Connector / Male Contacts) | Connector 2 (Female Connector / Female Contacts) | |
| | | | 5A | 02,03 | |
| 2 Points Lock Bayonet | AA-00 3 3 -0MM-IL001 | AA-00 3 3 -0FF-IL001 | | | AA-00 3 3 -0 6 7 -IL001 |
| 2A | 04,05,06 | Screw Thread | AA-00 3 3 -0MM-IS001 | AA-00 3 3 -0FF-IS001 | AA-00 3 3 -0 6 7 -IS001 |
| | | 2 Points Lock Bayonet | AA-00 3 3 -0MM-IL001 | AA-00 3 3 -0FF-IL001 | AA-00 3 3 -0 6 7 -IL001 |

Mini Size > Dust Cap

■ Customization - Upon Request



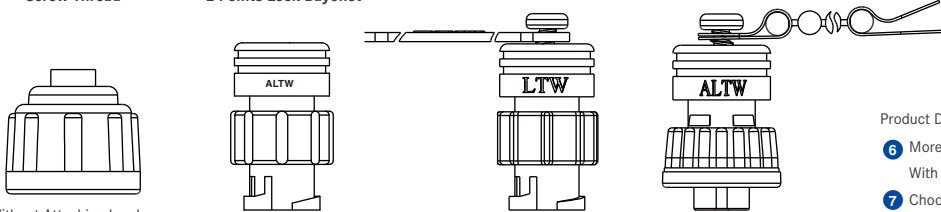
* With Rubber Lead

| Size | Mating Pair | Mating Pair (Gender) | P/N |
|---------------------------|-------------|----------------------|--------------|
| Mini Size 7/16"-28 UNS | Receptacle | Male | CAP-DAAMDPC1 |

Mini Size: 7/16"-28 UNS and 2 Points Lock Bayonet > Waterproof Cap

■ Customization - Upon Request

Screw Thread 2 Points Lock Bayonet



Without Attaching Leader Without Attaching Leader With Fish Line / Rubber Lead With Chain

Product Details:

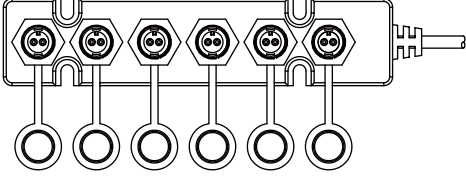
- 6 More to choose: None(A) / With Chain(B) / With Rubber Lead(C) / With Fish Line(D)
- 7 Choose 2 contacts(1) / 3 contacts(3) / 4~6 contacts(2) for male mating pair

| Size | Mating Pair | Mating Style | Mating Pair (Gender) | P/N |
|---------------------------|--------------------------------------|-----------------------|----------------------|-----------------|
| Mini Size 7/16"-28 UNS | Receptacle | Screw Thread | Male | CAP-WAAMSP 6 1 |
| | | 2 Points Lock Bayonet | Male | CAP-WAAMLPL 6 7 |
| | Female | | CAP-WAAFLP 6 7 | |
| | Overmolded with Cable | Screw Thread | Male | CAP-WAAMSMA 1 |
| | | 2 Points Lock Bayonet | Male | CAP-WAAMLMA 7 |
| | Female | | CAP-WAAFLMA 7 | |
| | Receptacle and Overmolded with Cable | Screw Thread | Male | CAP-WAAMSMA 1 |
| | | 2 Points Lock Bayonet | Male | CAP-WAAMLMA 7 |
| Female | CAP-WAAFLMA 7 | | | |

【Note】 Design and specification are subject to change without notice.

Mini Size: 7/16"-28 UNS and 2 Points Lock Bayonet > Multi-Port with / without Cap

Customization - Upon Request



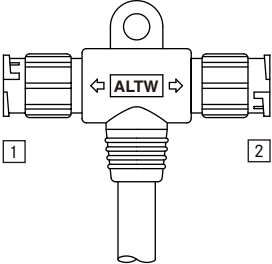
8 For connector 1
 9 For connector 2
 10 For connector 3
 11 For connector 4
 12 For connector 5
 13 For connector 6

Choose Connector / Contacts Gender:
 (M): Male + Male (H): Male + Female
 (F): Female + Female (B): Female + Male

* XX: Choose the cable length: 01-99 m / Cable 22+24+B PVC

| Current Rating | Contacts | Mating Style | Connector 1 (Male Connector / Male Contacts) | Connector 1 (Male Connector / Female Contacts) | More options |
|----------------|----------|-----------------------|---|---|--|
| | | | Connector 2 (Male Connector / Male Contacts) | Connector 2 (Male Connector / Female Contacts) | |
| | | | Connector 3 (Male Connector / Male Contacts) | Connector 3 (Male Connector / Female Contacts) | |
| | | | Connector 4 (Male Connector / Male Contacts) | Connector 4 (Male Connector / Female Contacts) | |
| | | | Connector 5 (Male Connector / Male Contacts) | Connector 5 (Male Connector / Female Contacts) | |
| | | | Connector 6 (Male Connector / Male Contacts) | Connector 6 (Male Connector / Female Contacts) | |
| 5A | 02,03 | Screw Thread | A- 2 2 2 2 2 2 2 -MMMMMM-SAXX* | A- 2 2 2 2 2 2 2 -HHHHHH-SAXX* | A- 2 2 2 2 2 2 - 7 8 9 10 11 12 13 -SAXX* |
| | | 2 Points Lock Bayonet | A- 2 2 2 2 2 2 2 -MMMMMM-LAXX* A-222222-MMMMMM-LA01 | A- 2 2 2 2 2 2 2 -HHHHHH-LAXX* | A- 2 2 2 2 2 2 - 7 8 9 10 11 12 13 -LAXX* |
| 2A | 04,05,06 | Screw Thread | A- 2 2 2 2 2 2 2 -MMMMMM-SAXX* | A- 2 2 2 2 2 2 2 -HHHHHH-SAXX* | A- 2 2 2 2 2 2 - 7 8 9 10 11 12 13 -SAXX* |
| | | 2 Points Lock Bayonet | A- 2 2 2 2 2 2 2 -MMMMMM-LAXX* | A- 2 2 2 2 2 2 2 -HHHHHH-LAXX* | A- 2 2 2 2 2 2 - 7 8 9 10 11 12 13 -LAXX* |

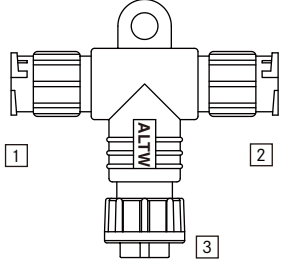
∨ **Standard Size: 5/8" - 27 UNS and 2 Points Lock Bayonet > T-Cable**

| <div style="display: flex; justify-content: space-between; align-items: center;"> ■ Customization - Upon Request  <div style="text-align: right;"> <p>⑤ For connector 1 ⑥ For connector 2</p> <p>Choose Connector / Contacts Gender: (M): Male + Male (F): Female + Female (H): Male + Female (B): Female + Male</p> <p>* XX: Choose the cable length: 01-99 m / PVC UL2464 Cable</p> </div> </div> | | | | | |
|---|------------------------------|-----------------------|---|---|--------------------|
| Current Rating | Contacts ② | Mating Style | Connector 1 (Male Connector / Male Contacts) | Connector 1 (Female Connector / Female Contacts) | More options |
| | | | Connector 2 (Male Connector / Male Contacts) | Connector 2 (Female Connector / Female Contacts) | |
| 10A | 02,03,04 | Screw Thread | BA-②②00-MM0-TSAXX* | BA-②②00-FF0-TSAXX* | BA-②②00-⑤⑥0-TSAXX* |
| | | 2 Points Lock Bayonet | BA-②②00-MM0-TLAXX* | BA-②②00-FF0-TLAXX* | BA-②②00-⑤⑥0-TLAXX* |
| 5A | 02,03,04, 05,06,07, 08 | Screw Thread | BA-②②00-MM0-TSAXX* | BA-②②00-FF0-TSAXX* | BA-②②00-⑤⑥0-TSAXX* |
| | | 2 Points Lock Bayonet | BA-②②00-MM0-TLAXX* | BA-②②00-FF0-TLAXX* | BA-②②00-⑤⑥0-TLAXX* |
| 2A | 10,12 | Screw Thread | BA-②②00-MM0-TSAXX* | BA-②②00-FF0-TSAXX* | BA-②②00-⑤⑥0-TSAXX* |
| | | 2 Points Lock Bayonet | BA-②②00-MM0-TLAXX* | BA-②②00-FF0-TLAXX* | BA-②②00-⑤⑥0-TLAXX* |

【Note】 Design and specification are subject to change without notice.

Standard Size: 5/8" - 27 UNS and 2 Points Lock Bayonet > T-Adaptor

Customization - Upon Request



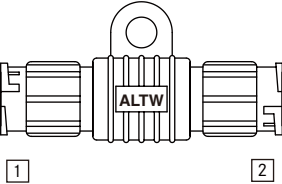
5 For connector 1
6 For connector 2
7 For connector 3

Choose Connector / Contacts Gender:
(M): Male + Male
(F): Female + Female
(H): Male + Female
(B): Female + Male

| Current Rating | Contacts 2 | Mating Style | Connector 1 (Male Connector / Male Contacts) | Connector 1 (Female Connector / Female Contacts) | More options |
|----------------|------------------------------|-----------------------|---|---|------------------|
| | | | Connector 2 (Male Connector / Male Contacts) | Connector 2 (Female Connector / Female Contacts) | |
| | | | Connector 3 (Male Connector / Male Contacts) | Connector 3 (Female Connector / Female Contacts) | |
| 5A | 02,03,04, 05,06,07, 08 | Screw Thread | BA-222-MMM-TS001 | BA-222-FFF-TS001 | BA-222-567-TS001 |
| | | 2 Points Lock Bayonet | BA-222-MMM-TL001 | BA-222-FFF-TL001 | BA-222-567-TL001 |
| 2A | 10,12 | Screw Thread | BA-222-MMM-TS001 | BA-222-FFF-TS001 | BA-222-567-TS001 |
| | | 2 Points Lock Bayonet | BA-222-MMM-TL001 | BA-222-FFF-TL001 | BA-222-567-TL001 |

Standard Size: 5/8" - 27 UNS and 2 Points Lock Bayonet > I-Adaptor

Customization - Upon Request

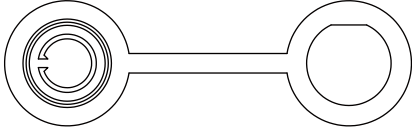


6 For connector 1
7 For connector 2

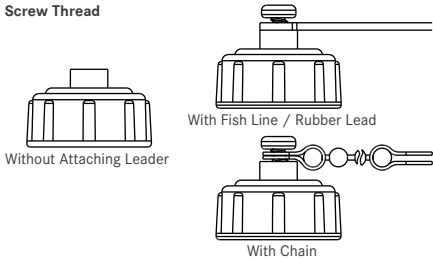
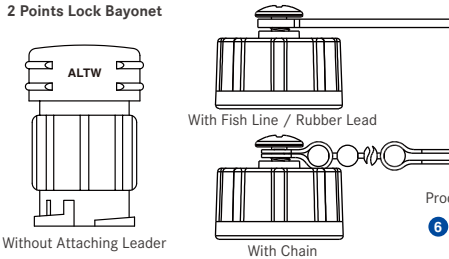
Choose Connector / Contacts Gender:
(M): Male + Male
(F): Female + Female
(H): Male + Female
(B): Female + Male

| Current Rating | Contacts 3 | Mating Style | Connector 1 (Male Connector / Male Contacts) | Connector 1 (Female Connector / Female Contacts) | More options |
|----------------|------------------------------|-----------------------|---|---|-------------------|
| | | | Connector 2 (Male Connector / Male Contacts) | Connector 2 (Female Connector / Female Contacts) | |
| 5A | 02,03,04, 05,06,07, 08 | Screw Thread | BA-0033-0MM-IS001 | BA-0033-OFF-IS001 | BA-0033-067-IS001 |
| | | 2 Points Lock Bayonet | BA-0033-0MM-IL001 | BA-0033-OFF-IL001 | BA-0033-067-IL001 |
| 2A | 10,12 | Screw Thread | BA-0033-0MM-IS001 | BA-0033-OFF-IS001 | BA-0033-067-IS001 |
| | | 2 Points Lock Bayonet | BA-0033-0MM-IL001 | BA-0033-OFF-IL001 | BA-0033-067-IL001 |

Standard Size > Dust Cap

| <p>■ Customization - Upon Request</p>  <p>* With Rubber Lead</p> | | | |
|---|-----------------------|----------------------|---|
| Size | Mating Pair | Mating Pair (Gender) | P/N |
| Standard Size | Receptacle | Male | CAP-DABMDPC 1 CAP-DABMDPC 2 CAP-DABMDPC 3 |
| | | Female | - |
| | Overmolded with Cable | Male | CAP-DABMDCC 1 CAP-DABMDCC 2 |
| | | Female | CAP-DABFDCC 1 |

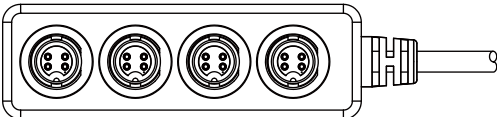
Standard Size: 5/8" - 27 UNS and 2 Points Lock Bayonet > Waterproof Cap

| <p>■ Customization - Upon Request</p> <p>Screw Thread</p>  <p>2 Points Lock Bayonet</p>  <p>Product Details: 6 More to choose: None(A) / With Chain(B) / With Rubber Lead(C) / With Fish Line(D)</p> | | | | |
|--|-----------------------|-----------------------|-----------------------|--|
| Size | Mating Pair | Mating Style | Mating Pair (Gender) | P/N |
| Standard Size 5/8"-27 UNS | Receptacle | Screw Thread | Male | CAP-WABMSP 6 1 |
| | | | Female | CAP-WABFSP 6 1 |
| | | 2 Points Lock Bayonet | Male | CAP-WABMLP 6 7 1 |
| | | | Female | CAP-WABFLP 6 7 1 |
| | Overmolded with Cable | Screw Thread | Male | CAP-WABMSMA 1 |
| | | | 2 Points Lock Bayonet | Male |
| | | Screw Thread | | Female |
| | | | 2 Points Lock Bayonet | Male |
| Receptacle and Overmolded with Cable | 2 Points Lock Bayonet | Male | | CAP-WABMLMA 1 |
| | | Female | CAP-WABMLMA 1 | |

[Note] Design and specification are subject to change without notice.

Standard Size: 5/8" - 27 UNS and 2 Points Lock Bayonet > Multi-Port

Customization - Upon Request



- 6 For connector 1
- 7 For connector 2
- 8 For connector 3
- 9 For connector 4


Choose Connector / Contacts Gender:
 (M): Male + Male
 (F): Female + Female

* XX: Choose the cable length:01-99 m / Cable 22+24+B PVC

| Current Rating | Contacts 2 | Mating Style | Connector 1 (Male Connector / Male Contacts) | Connector 1 (Male Connector / Female Contacts) | More options |
|----------------|------------------------------|-----------------------|---|---|---------------------------|
| | | | Connector 2 (Male Connector / Male Contacts) | Connector 2 (Male Connector / Female Contacts) | |
| | | | Connector 3 (Male Connector / Male Contacts) | Connector 3 (Male Connector / Female Contacts) | |
| | | | Connector 4 (Male Connector / Male Contacts) | Connector 4 (Male Connector / Female Contacts) | |
| 10A | 02,03,04 | Screw Thread | B-2 2 2 2 -MMMM-SAXX* | B-2 2 2 2 -HHHH-SAXX* | B-2 2 2 2 -6 7 8 9 -SAXX* |
| | | 2 Points Lock Bayonet | B-2 2 2 2 -MMMM-LAXX* | B-2 2 2 2 -HHHH-LAXX* B-04040404-HHHH-SAXX* | B-2 2 2 2 -6 7 8 9 -LAXX* |
| 5A | 02,03,04, 05,06,07, 08 | Screw Thread | B-2 2 2 2 -MMMM-SAXX* | B-2 2 2 2 -HHHH-SAXX* | B-2 2 2 2 -6 7 8 9 -SAXX* |
| | | 2 Points Lock Bayonet | B-2 2 2 2 -MMMM-LAXX* | B-2 2 2 2 -HHHHH-LA* B-04040404-HHHH-SAXX* | B-2 2 2 2 -6 7 8 9 -LAXX* |
| 2A | 10, 12 | Screw Thread | B-2 2 2 2 -MMMM-SAXX* | B-2 2 2 2 HHHH-SAXX* | B-2 2 2 2 -6 7 8 9 -SAXX* |
| | | 2 Points Lock Bayonet | B-2 2 2 2 -MMMM-LAXX* | B-2 2 2 2 -HHHH-LAXX* | B-2 2 2 2 -6 7 8 9 -LAXX* |

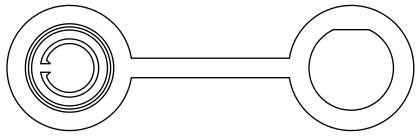
Standard Size > Wrench

Customization - Upon Request

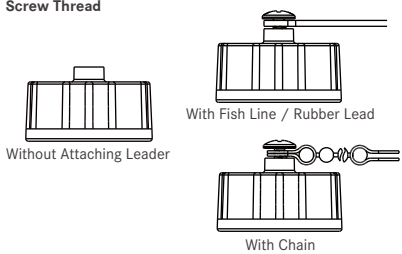
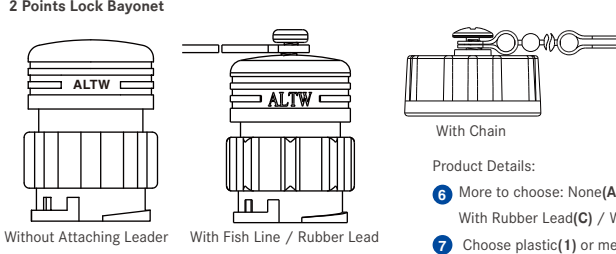


TOL-171801

└ Middle Size > Dust Cap

| <p>■ Customization - Upon Request</p>  <p>* With Rubber Lead</p> | | | |
|---|-----------------------|----------------------|--------------------------------|
| Size | Mating Pair | Mating Pair (Gender) | P/N |
| Middle Size | Receptacle | Male | CAP-DACMDPC 1 CAP-DACMDPC 2 |
| | Overmolded with Cable | Female | CAP-DACFDCC 1 |

└ Middle Size: 13/16"-28 UNS and 2 Points Lock Bayonet > Waterproof Cap

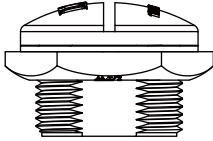
| <p>■ Customization - Upon Request</p> <p>Screw Thread</p>  <p>2 Points Lock Bayonet</p>  <p>Product Details: 6 More to choose: None(A) / With Chain(B) / With Rubber Lead(C) / With Fish Line(D) 7 Choose plastic(1) or metal(2) items</p> | | | | |
|---|--------------------------------------|-----------------------|----------------------|----------------|
| Size | Mating Pair | Mating Style | Mating Pair (Gender) | P/N |
| Middle Size 13/16"-28 UNS | Receptacle | Screw Thread | Male | CAP-WACMSP 6 7 |
| | | 2 Points Lock Bayonet | Male | CAP-WACMLP 6 1 |
| | Female | | CAP-WACFLP 6 1 | |
| | Overmolded with Cable | Screw Thread | Male | CAP-WACMSMA 7 |
| | | 2 Points Lock Bayonet | Male | CAP-WACMLMA1 |
| | Female | | CAP-WACFLMA1 | |
| | Receptacle and Overmolded with Cable | Screw Thread | Male | CAP-WACMSMA 7 |
| | | 2 Points Lock Bayonet | Male | CAP-WACMLMA1 |
| Female | CAP-WACFLMA1 | | | |

[Note] Design and specification are subject to change without notice.

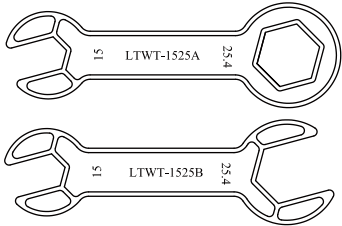
Middle Size

Dummy | Wrench

∟ **Middle Size: 13/16"-28 UNS > Dummy**

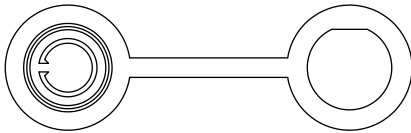
| <p>■ Customization - Upon Request</p>  | | | |
|---|---------------------|--------------|--------------|
| Size | Mating Pair | Mating Style | P/N |
| 13/16"-28 UNS | Receptacle (Female) | Screw Thread | CAP-CACFSBA1 |

∟ **Middle Size > Wrench**

| |
|--|
| <p>■ Customization - Upon Request</p>  |
| <p>TOL-152501 TOL-152502</p> |

Large Size > Dust Cap

■ Customization - Upon Request



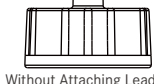
* With Rubber Lead

| Size | Mating Pair | Mating Pair (Gender) | P/N |
|------------|-------------|----------------------|---------------|
| Large Size | Receptacle | Male | CAP-DADMDPC 1 |

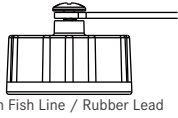
Large Size: 1"-20 UNEF and 2 Points Lock Bayonet > Waterproof Cap

■ Customization - Upon Request

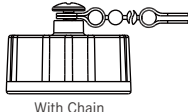
Screw Thread



Without Attaching Leader

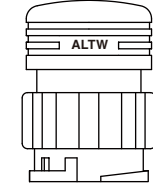


With Fish Line / Rubber Lead

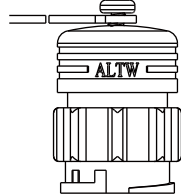


With Chain

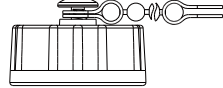
2 Points Lock Bayonet



Without Attaching Leader



With Fish Line / Rubber Lead



With Chain

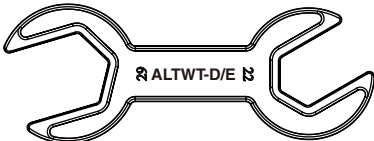
Product Details:

- 6 More to choose: None (A) / With Chain (B) / With Rubber Lead (C) / With Fish Line (D)
- 7 Choose 2-31 Contacts(W/O 18) (1) / 18 Contacts (2) for female mating pair

| Size | Mating Pair | Mating Style | Mating Pair (Gender) | P/N |
|--------------------------|--------------------------------------|-----------------------|----------------------|----------------|
| Large Size 1"-20 UNEF | Receptacle | Screw Thread | Male | CAP-WADMSP 6 1 |
| | | 2 Points Lock Bayonet | Male | CAP-WADMLP 6 1 |
| | 2 Points Lock Bayonet | Female | CAP-WADFLP 6 7 | |
| | Receptacle and Overmolded with Cable | Screw Thread | Male | CAP-WADMSMA 1 |
| | | 2 Points Lock Bayonet | Male | CAP-WADMLMA 1 |
| | | 2 Points Lock Bayonet | Female | CAP-WADFLMA 7 |

Large Size > Wrench

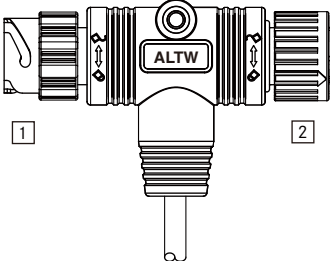
■ Customization - Upon Request



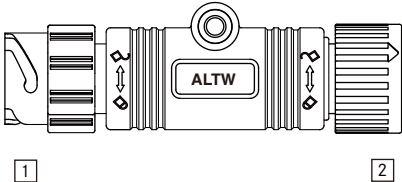
TOL-222901

[Note] Design and specification are subject to change without notice.

Other Size: 3 Points Lock Bayonet > T-Cable (10A+5A)


| <p>Customization - Upon Request</p> | | |  | | |
|-------------------------------------|----------|-----------------------|---|---|---|
| | | | <p>* XX: Choose the cable length:01-99 m / PVC UL2464 Cable</p> | | |
| Current Rating | Contacts | Mating Style | Connector 1 (Male Connector / Male Contacts) | Connector 1 (Female Connector / Female Contacts) | Connector 1 (Male Connector / Male Contacts) |
| | | | Connector 2 (Male Connector / Male Contacts) | Connector 2 (Female Connector / Female Contacts) | Connector 2 (Female Connector / Female Contacts) |
| 5A | 08 | 3 Points Lock Bayonet | GA-080800-MM0-TTAXX* | GA-080800-FF0-TTAXX* | GA-080800-MF0-TTAXX* |

Other Size: 3 Points Lock Bayonet > I-Adaptor (10A+5A)

| <p>Customization - Upon Request</p> | | |  | | |
|-------------------------------------|----------|-----------------------|--|---|---|
| Current Rating | Contacts | Mating Style | Connector 1 (Male Connector / Male Contacts) | Connector 1 (Female Connector / Female Contacts) | Connector 1 (Female Connector / Female Contacts) |
| | | | Connector 2 (Male Connector / Male Contacts) | Connector 2 (Female Connector / Female Contacts) | Connector 1 (Male Connector / Male Contacts) |
| 5A | 08 | 3 Points Lock Bayonet | GA-000808-0MM-IT001 | GA-000808-OFF-IT001 | GA-000808-0FM-IT001 |

Other Size > Dust Cap

■ Customization - Upon Request

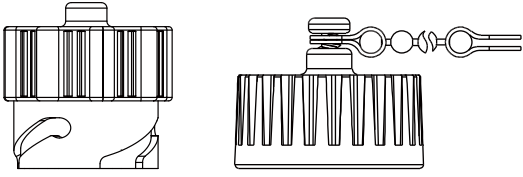


* Mix Size
* With Rubber Lead

| Size | Mating Pair | Mating Pair (Gender) | P/N |
|----------------|-------------|----------------------|--------------|
| Mix Size 12-5A | Receptacle | Male | CAP-DPLMDPC1 |

Other Size: 3 Points Lock Bayonet > Waterproof Cap

■ Customization - Upon Request



* Mix Size With Chain

Product Details:
 ⑥ Choose the lead: None (A) / With Chain (B) / With Rubber Lead (C) / With Fish Line (D)

| Size | Mating Pair | Mating Style | Mating Pair (Gender) | P/N |
|--|--------------------------------------|-----------------------|----------------------|----------------|
| Mix Size (Between Standard & Middle Size) | Receptacle | 3 Points Lock Bayonet | Male | CAP-WEBMTP ⑥ 1 |
| | | | Female | CAP-WEBFTP ⑥ 1 |
| | Receptacle and Overmolded with Cable | 3 Points Lock Bayonet | Male | CAP-WEBTMA1 |
| | | | Female | CAP-WEBFTMA1 |

【Note】 Design and specification are subject to change without notice.

Amphenol LTW Technology Co., Ltd.

5F-3, No.51, Sec.4, Zhongyang Rd., Tucheng Dist., New Taipei City 236, Taiwan
Telephone: +886-2-77416888 Fax: +886-2-77416999
www.amphenolltw.com

Kunshan Factory

No. 62, DaTong Road, Development Zone, Kunshan City, JiangSu Province, 215333 China
Telephone: +86-512-5761-0501
Fax: : +86-512-5761-0515

For further information, please contact :

Sales & Marketing Department | Email : sales@ltw-tech.com

X-ON Electronics

Largest Supplier of Electrical and Electronic Components

Click to view similar products for [Spanners](#) category:

Click to view products by [Amphenol](#) manufacturer:

Other Similar products are found below :

[74005](#) [74008](#) [DCH.91.101.PN](#) [1406504-3](#) [1406504-4](#) [1406504-5](#) [1406504-7](#) [1725859-2](#) [9965](#) [999-16625-001](#) [G70515-18](#) [1055265-1](#)
[1055267-1](#) [1-1406504-0](#) [1055787-1](#) [DCH.91.251.PA](#) [TG70-18](#) [TG70](#) [DPH.99.005.2K](#) [DCP.91.045.TN](#) [1055512-1](#) [1055276-1](#) [R282303020](#)
[TA-0456](#) [DCA.91.149.0TN](#) [TA-0436](#) [TA-0398](#) [TOL-222901](#) [74_Z-0-0-193](#) [64W022-001](#) [294GB-5069-17-N](#) [74_Z-0-0-2](#) [523200-4](#) [294GB-](#)
[5070-25-A](#) [74_Z-0-0-79](#) [294GB-5070-17-A](#) [74_Z-0-0-321](#) [TOL-171801](#) [PR23350](#) [1490262-2](#) [9968](#) [AC24VS](#) [80117](#) [DCN.91.149.0TK](#) [BT-](#)
[A-6010CAGE](#) [R282340000](#) [BT-BS-609WT](#) [BT-A-6000B](#) [R282303000](#) [BT-BS-610R](#)