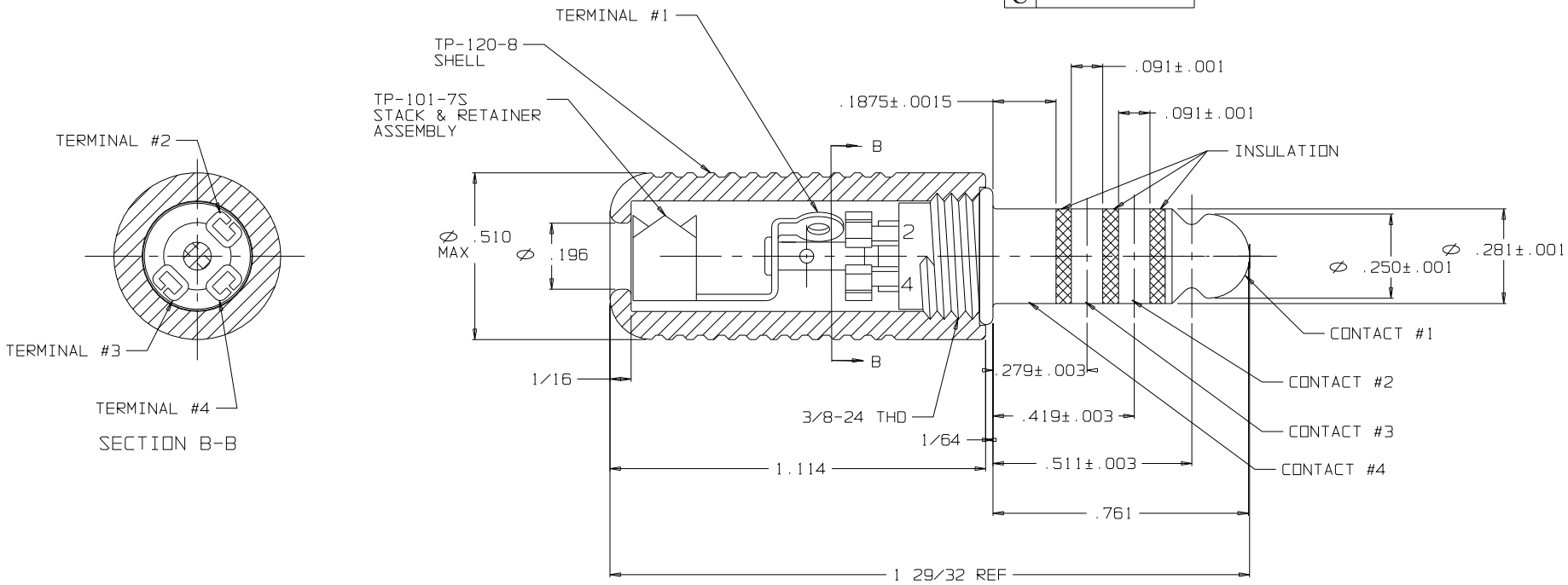


C TP-101S



- CONDENSED SPECIFICATIONS:
- 1) THIS PLUG MATES WITH TELEPHONE JACK U-92A/U PER MIL-T-9199
 - 2) THE HARDWARE IS INTENDED FOR USE WITH CABLES SUCH AS SHOWN ON AIR FORCE DWG. NO. 60C12501
 - 3) THE SOLDER TERMINALS ARE TINNED AND EACH WILL ACCEPT TWO STRANDED CONDUCTORS OF 320 CIRCULAR MILS (37 BUNCH STRANDED AWG #40).
 - 4) EACH CONDUCTOR IS OF ONE PIECE CONSTRUCTION - THERE ARE NO JOINTS OF ANY TYPE BETWEEN THE CONTACT AREA AND THE SOLDER TERMINALS.
 - 5) THE .281 STACK DIAMETER IS MACHINED AFTER INSERT MOLDING SO THE CONTACTS AND INSULATION ARE FLUSH AND CONCENTRIC.
 - 6) THE ANCHOR WILL WITHSTAND A 25 POUND PULL FORCE
 - 7) A SHOULDER IS FORMED AS AN INTEGRAL PART OF CONTACT NO. 4 TO PERMIT MATING WITH OBSOLETE U-92/U JACKS.
 - 8) THE CONCENTRICITY OF THE BALL END OF THE PLUG TO THE .281 DIA. IS SUCH THAT THE PLUG WILL FREELY ENTER A RING GAGE HAVING A MAX INTERNAL DIA. OF .284 FOR A LENGTH OF .590 AND A MAX INTERNAL DIA. OF .254 FOR A LENGTH OF .175 WITH NO FORCE EXCEPT ITS OWN WEIGHT.
 - 9) MATERIAL:
 - A) CONTACTS - NICKEL-COPPER ALLOY PER FEDERAL SPEC. QQ-S-281 (MONEL).
 - B) STACK INSULATION - MINN MINING & MFG CO. "KEL-F".
 - C) STRAIN RELIEF - STAINLESS STEEL PER FEDERAL SPEC. QQ-S-766 CLASS 4.
 - D) SHELL - POLYAMIDE BLACK PER MIL-P-17091 TYPE I.
 - 10) ELECTRICAL:
 - A) DIELECTRIC STRENGTH - 500 VOLTS RMS MIN. BETWEEN ANY PAIR OF CONTACTS.
 - B) INSULATION RESISTANCE - 100 MEG OHMS MIN. BETWEEN ANY PAIR OF CONTACTS.
 - C) CONTACT RESISTANCE - WHEN MATED WITH A U-92/U TELEPHONE JACK AND WITH A DIRECT CURRENT OF 100 MILLIAMPERES AT 5 VOLTS (OPEN CIRCUIT VOLTAGE) FOLLOWING THROUGH THE CONTACTS, THE POTENTIAL DROP BETWEEN EACH PAIR OF CONTACTS WILL NOT EXCEED .005 VOLTS.
 - 11) THIS TELEPHONE PLUG IS SUPPLIED IN A POLYETHYLENE BAG WITH THIS CASE AND CABLE HARDWARE UNASSEMBLED.

THIS DOCUMENT CONTAINS PROPRIETARY INFORMATION OF NEXUS, INCORPORATED AND SUCH INFORMATION MAY NOT BE DISCLOSED TO OTHERS FOR ANY PURPOSE OR USED FOR ANY PURPOSE WITHOUT THE WRITTEN CONSENT OF NEXUS.

OWN BY	HR	DATE	12/16/10	MATERIAL	SEE DRAWING
CHECKED BY		DATE		FINISH	N/A
APPR BY		DATE		WEIGHT	SCALE 4:1
				TITLE	TELEPHONE PLUG U-174/U
				UNLESS OTHERWISE SPECIFIED DIMENSIONS ARE IN INCHES TOLERANCES ON	NEXUS STAMFORD, CONN SIZE DWG. NO. C TP-101S
				.XX .XXX ANGLES ±.5°	
B	CHG: 7-5/8 TO 1-29/32; 4.456 TO 1.114	166	4/19 2013	HR	DD NOT SCALE DWG. SHEET 1 OF 1
A	NEW RELEASE		12/16 2010	HR	
LET.	REVISION	CN #	DATE	CHK.	

X-ON Electronics

Largest Supplier of Electrical and Electronic Components

Click to view similar products for [Phone Connectors](#) category:

Click to view products by [Amphenol](#) manufacturer:

Other Similar products are found below :

[M444B](#) [6J1041A](#) [R4F](#) [E12BPKG](#) [ECP4PKG](#) [161-3502L-E](#) [MT333X](#) [171-0350-EX](#) [171-101A-EX](#) [171-3325-EX](#) [176S](#) [NC3MG-V](#)
[NYS228G](#) [P10834](#) [P2380](#) [P2381X](#) [P2411X](#) [P2412](#) [P2724](#) [JM2PB-AU BULK](#) [9144](#) [S2674](#) [280L](#) [163-156N-2-E](#) [163-158N-2-E](#) [171-3308-](#)
[EX](#) [171-3500-E](#) [2501FT](#) [CMT335](#) [M10662](#) [330Q](#) [RJ5VI-S](#) [40116](#) [TM1R-AU](#) [TM2PBMJ-AU](#) [TM2PJ-AU](#) [TM2PJ-AU BULK](#) [4803.1351](#)
[49201](#) [49205](#) [TS3PBJ-AU](#) [TS3PBMJ-AU](#) [TT32BX](#) [54B](#) [40112](#) [40205](#) [XMT332B](#) [52170017-331](#) [570](#) [NM3](#)