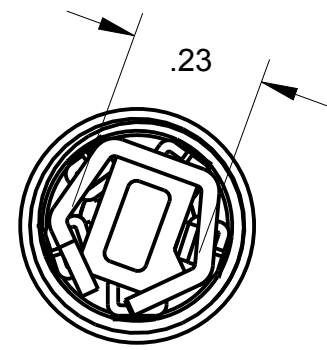
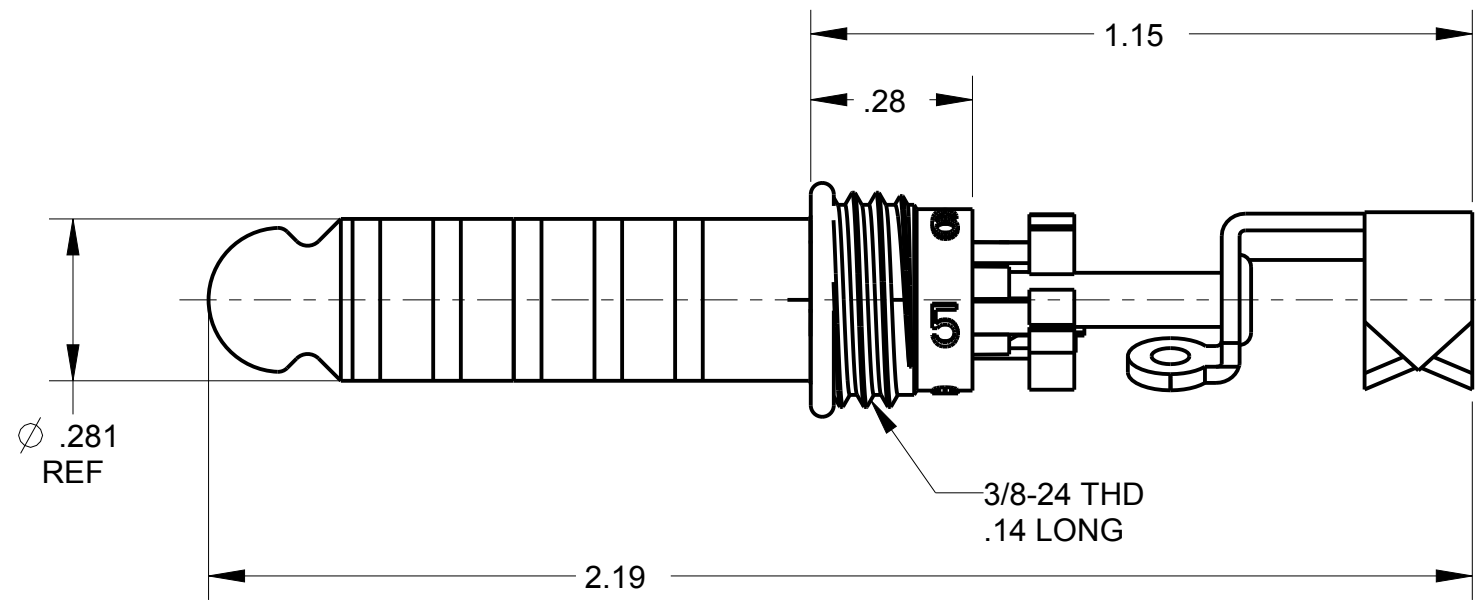


NOTES:

- 1) THIS TELEPHONE PLUG MATES WITH NEXUS PART NUMBER "TJ-126"
- 2) ORDER PART NUMBER "TP-126-7"

**B** TP-126-7CP



THIS DOCUMENT CONTAINS PROPRIETARY INFORMATION OF NEXUS, INCORPORATED AND SUCH INFORMATION MAY NOT BE DISCLOSED TO OTHERS FOR ANY PURPOSE OR USED FOR ANY PURPOSE WITHOUT THE WRITTEN CONSENT OF NEXUS.

| LET. | REVISION    | CN # | DATE      | CHK. |
|------|-------------|------|-----------|------|
| A    | NEW RELEASE | 223  | 1/17 2014 | HR   |

|   |    |                         |           |
|---|----|-------------------------|-----------|
| DWN.BY  | HR | DATE                    | Jan-17-14 |
| CHECKED BY  |    | DATE                    |           |
| APPR.BY   |    | DATE                    |           |
| UNLESS OTHERWISE SPECIFIED:<br>DIMENSIONS ARE IN INCHES &/OR (mm) |    |                         |           |
| TOLERANCES:   |    |                         |           |
| DECIMAL: .XX[X.X] .XXX[X.XX]                                      |    | ± .01[0.3] ± .003[0.08] |           |
| FRACTION: X/X   |    | ANGLES: X ± .5°         |           |

|  |                 |
|--|-----------------|
| MATERIAL                                 |                 |
| FINISH                                   |                 |
| WEIGHT                                   | SCALE = 1.00 :1 |
| TITLE<br>TP-126 STACK<br>ASSEMBLY W/CLIP |                 |
| DO NOT SCALE DWG.                        | SHEET 1 OF 1    |

|                                |            |
|--------------------------------|------------|
| <b>NEXUS</b><br>STAMFORD, CONN |            |
| SIZE                           | DWG. NO.   |
| <b>B</b>                       | TP-126-7CP |

## X-ON Electronics

Largest Supplier of Electrical and Electronic Components

*Click to view similar products for [Phone Connectors](#) category:*

*Click to view products by [Amphenol](#) manufacturer:*

Other Similar products are found below :

[M444B](#) [6J1041A](#) [R4F](#) [E12BPKG](#) [ECP4PKG](#) [161-3502L-E](#) [MT333X](#) [171-0350-EX](#) [171-101A-EX](#) [171-3325-EX](#) [176S](#) [NC3MG-V](#)  
[NYS228G](#) [P10834](#) [P2380](#) [P2381X](#) [P2411X](#) [P2412](#) [P2724](#) [JM2PB-AU BULK](#) [9144](#) [S2674](#) [280L](#) [163-156N-2-E](#) [163-158N-2-E](#) [171-3308-](#)  
[EX](#) [171-3500-E](#) [2501FT](#) [CMT335](#) [M10662](#) [330Q](#) [RJ5VI-S](#) [40116](#) [TM1R-AU](#) [TM2PBMJ-AU](#) [TM2PJ-AU](#) [TM2PJ-AU BULK](#) [4803.1351](#)  
[49201](#) [49205](#) [TS3PBJ-AU](#) [TS3PBMJ-AU](#) [TT32BX](#) [54B](#) [40112](#) [40205](#) [XMT332B](#) [52170017-331](#) [570](#) [NM3](#)