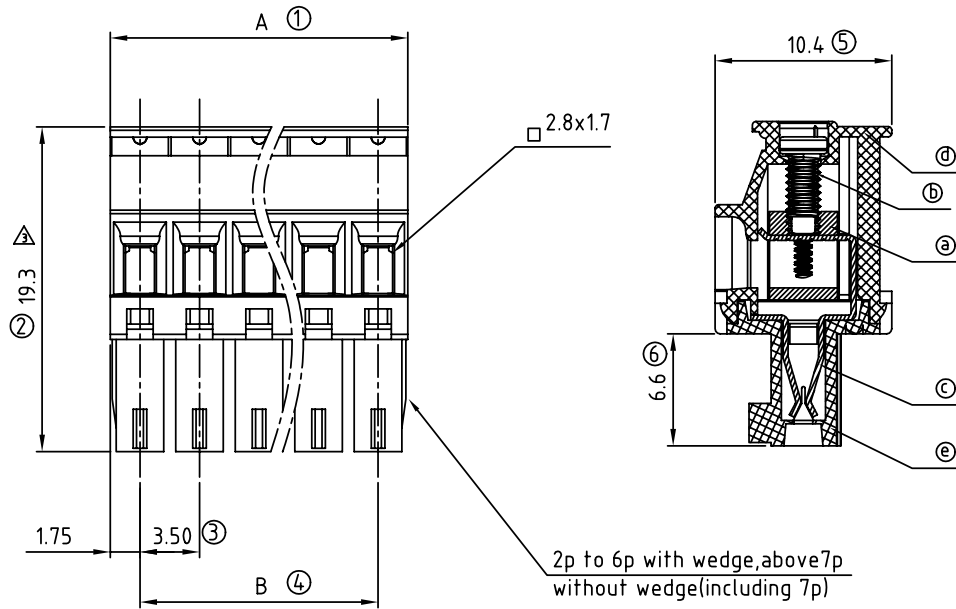
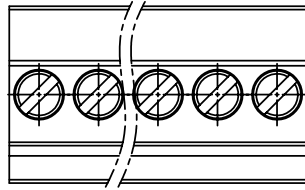


| SIGN | DATE | DESCRIPTION | APPROVER |
|------|------------|---|----------|
| △ | 8/07'06 | Added VDE standard | 梁仁松 |
| △ | 2008.12.02 | The temperature changed from -30°C,+105°C to -40°C,+115°C | Jacke |
| △ | 2008.12.02 | The dimension design changed from 19.1mm to 19.3mm | Jacke |

THIS IS CAD DRAWING, DO NOT REVISE MANUALLY!!!



N = Number of contacts

| DIMENSION | |
|-----------|-----------|
| A | NX3.5 |
| B | (N-1)X3.5 |

| Poles | Tolerance |
|---------|-----------|
| 2P-8P | ±0.10 |
| 9P-16P | ±0.20 |
| 17P-24P | ±0.30 |

Material

- Item① Terminal body(metal housing): Brass(CuZn),Nickel plated
- Item② Terminal screw: Steel Zinc plating "-" slot type
- Item③ Wire guard: PhBz, Tin plated
- Item④ Insulator (housing): Thermoplastic (UL94V-0)
- Item⑤ Insulator (cover): Thermoplastic (UL94V-0)

Electrical cULus/VDE

- Voltage rating: 300V \bar{A} C/300VAC
- Current rating: 8A/10A
- Wire range: 1.5mm
- Solid wire(AWG): 16-28
- Stranded wire(AWG): 16-28
- Torque: 1.7Lb-In./0.2Nm
- Screw: M2
- Wire strip length: 6-7mm
- Withstanding Voltage: 1.6KV/2.5KV
- △ ● Operating temperature: -40°C to +115°C
- △ ● Safety approval: us

TS xx 1 1 x A xxxx G

| No. OF POLES | Color | RoHS pb<40, 000ppm |
|--------------|---------------------|------------------------|
| 02: 2 POLES | 0 Black (RAL9005) | 0000 Standard @ Logo |
| : | 2 Red (RAL3001/D) | 000A Standard ANY Logo |
| : | 3 Orange(RAL2011/P) | Any special item by |
| 24: 24 POLES | 4 Yellow(RAL1018/A) | customer request, |
| | 5 Green(RAL6018/T) | please contact sales |
| | 6 Blue (RAL5015/A) | department. |
| | 8 Grey(RAL7035/D) | |

ANYTEK

CUSTOMER COPY

ALL RIGHTS RESERVED. REPRODUCTION OR ISSUE TO THIRD PARTIES IN ANY FORM WHATSOEVER IS NOT PERMITTED WITHOUT WRITTEN AUTHORITY FROM THE PROPRIETOR. PROPERTY OF ANYTEK TECHNOLOGY CO., LTD

| TITLE | | | | TS-3.5mm Series Without flange (W/latching hooks on the wire entry side) | | | |
|--------------|---------|---------------|------------|--|--|-------------|-----------|
| PART NO. | | TSxx11xAxxxxG | | DWG NO. | | 8TS0201 | |
| APPROVED | CHECKED | DESIGNED | DRAWN | CUST NO. | | Tolerance | |
| | | Jacke | Jacke | | | UNIT: mm | X. ±0.50 |
| | | 2008.12.10 | 2008.12.10 | | | SCALE: NONE | X.X ±0.30 |
| SHEET: 01/01 | | | | REV.: F | | X.XX ±0.10 | X° ±1° |

X-ON Electronics

Largest Supplier of Electrical and Electronic Components

Click to view similar products for [Pluggable Terminal Blocks](#) category:

Click to view products by [Amphenol](#) manufacturer:

Other Similar products are found below :

[57.510.0053](#) [MC 1.5/ 6-ST-3.5 GY AU](#) [734-104](#) [734-302](#) [8-141-P](#) [8426620000](#) [860505](#) [860810](#) [GBPACX-12](#) [93.731.4953.0](#) [PV05-5,08-K](#)
[PVP04-3,50](#) [PVS02-5,00](#) [1-1986160-3](#) [1377680000](#) [1531000000](#) [1546228-5](#) [ELFH16150](#) [ELFP03110](#) [ELFP10210](#) [ELFT06250](#)
[ELVP03100](#) [1700410](#) [1700425](#) [1702246](#) [1717806](#) [1719600](#) [1734692](#) [1734795](#) [1740291](#) [1752441](#) [1752865](#) [1754144](#) [1760051](#) [1760336](#)
[1777701](#) [1783410](#) [1800227](#) [1801080](#) [1836888](#) [1848818](#) [1849079](#) [1860870](#) [1876327](#) [1896417](#) [1903096](#) [19346](#) [1946309](#) [1970579](#) [1973592](#)