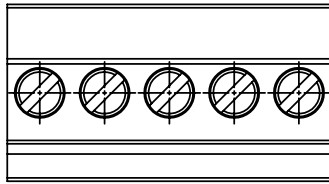


| SIGN | DATE | DESCRIPTION | APPROVER |
|------|------------|--------------------------|----------|
| △ | 8/07'06 | Added VDE standard | 梁仁松 |
| △ | 2010.11.29 | The tolerance is changed | Jacke |

THIS IS CAD DRAWING, DO NOT REVISE MANUALLY!!!

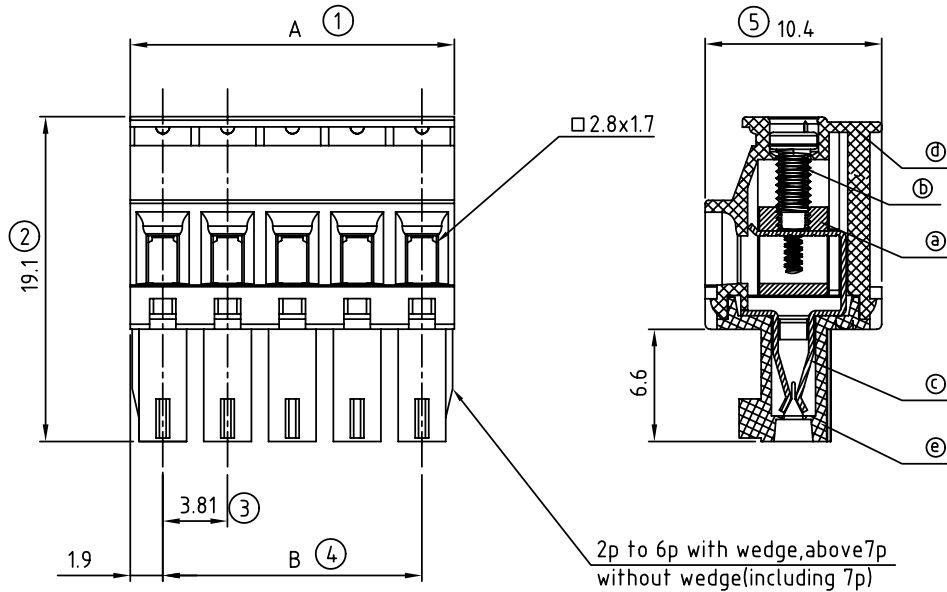


Material

- Item① Clamp: Brass(CuZn),Nickel plated
- Item② Terminal screw: Steel Zinc plating "-" slot type
- Item③ Female contact: PhBz, Tin plated
- Item④ Terminal (housing): Thermoplastic (UL94V-0)
- Item⑤ Terminal (cover): Thermoplastic (UL94V-0)

△ Electrical cULus/VDE

- Voltage rating: 300VAC/300VAC
- Current rating: 8A/10A
- Wire range: 1.5mm²
- Solid wire(AWG): 16-28
- Stranded wire(AWG): 16-28
- Torque: 1.7Lb-In./0.2Nm
- Screw: M2
- Wire strip length: 6-7mm
- Withstanding Voltage: 1.6KV/2.5KV
- Operating temperature: -40°C to +115°C
- Safety approval: us



TS xx 3 1 x A xxxx G

No. OF POLES ← (xx) → RoHS pb<40, 000ppm

02: 2 POLES
:
:
24: 24 POLES

Color → 0000 Standard @ Logo
000A Standard ANY Logo
Any special item by customer request, please contact sales department.

0 Black (RAL9005)
2 Red (RAL3001/D)
3 Orange(RAL2011/P)
4 Yellow(RAL1018/A)
5 Green(RAL6018/T)
6 Blue (RAL5015/A)
8 Grey(RAL7035/D)

DIMENSION
N = Number of contacts

| | |
|---|------------|
| A | NX3.81 |
| B | (N-1)X3.81 |

| Poles | Tolerance |
|---------|-----------|
| 2p-6p | ±0.15 |
| 7p-12p | ±0.20 |
| 13p-16p | ±0.25 |
| 17p-24p | ±0.30 |

ANYTEK

CUSTOMER COPY

ALL RIGHTS RESERVED. REPRODUCTION OR ISSUE TO THIRD PARTIES IN ANY FORM WHATSOEVER IS NOT PERMITTED WITHOUT WRITTEN AUTHORITY FROM THE PROPRIETOR. PROPERTY OF ANYTEK TECHNOLOGY CO., LTD

| | | | | | |
|----------|---------|---|----------------------|-----------------|--|
| TITLE | | TS-3.81mm Series Without flange (W/latching hooks on the wire entry side) | | | |
| PART NO. | | TSxx31xAxxxxG | | DWG NO. 8TS0301 | |
| APPROVED | CHECKED | DESIGNED | DRAWN | CUST NO. | |
| | | Jacke 2010.11.29 | Marvin 2006.08.07 | | |
| | | | | Tolerance | |
| | | | | UNIT: mm | |
| | | | | SCALE: NONE | |
| | | | | X. ±0.50 | |
| | | | | X.X ±0.30 | |
| | | | | X.XX ±0.10 | |
| | | | | X° ±1° | |
| | | | | SHEET: 01/01 | |
| | | | | REV.: F | |

X-ON Electronics

Largest Supplier of Electrical and Electronic Components

Click to view similar products for [Pluggable Terminal Blocks](#) category:

Click to view products by [Amphenol](#) manufacturer:

Other Similar products are found below :

[57.510.0053](#) [MC 1.5/ 6-ST-3.5 GY AU](#) [734-104](#) [734-302](#) [8-141-P](#) [8426620000](#) [860505](#) [860810](#) [GBPACX-12](#) [93.731.4953.0](#) [PV05-5,08-K](#)
[PVP04-3,50](#) [PVS02-5,00](#) [1-1986160-3](#) [1377680000](#) [1531000000](#) [1546228-5](#) [ELFH16150](#) [ELFP03110](#) [ELFP10210](#) [ELFT06250](#)
[ELVP03100](#) [1700410](#) [1700425](#) [1702246](#) [1717806](#) [1719600](#) [1734692](#) [1734795](#) [1740291](#) [1752441](#) [1752865](#) [1754144](#) [1760051](#) [1760336](#)
[1777701](#) [1783410](#) [1800227](#) [1801080](#) [1836888](#) [1848818](#) [1849079](#) [1860870](#) [1876327](#) [1896417](#) [1903096](#) [19346](#) [1946309](#) [1970579](#) [1973592](#)