




SIGN	DATE	DESCRIPTION	APPROVER
△	11.01'05	Standard spec is changed.	Marivn
△	8/07'06	Added VDE and TUV standard	梁仁松
△	2010.03.13	Add the 2p mark	Jacke
△	2010.05.28	The design is changed	Cheng Bo

*THIS IS CAD DRAWING, DO NOT REVISE MANUALLY!!!*

**Material**

- Item a Clamp: Brass(CuZn),Nickel plated
- Item b Terminal screw: Steel Zinc plating "--" slot type
- Item c Female contact: PhBz, Tin plated
- Item d Terminal (up body): Thermoplastic (UL94V-0)
- Item e Terminal (down body): Thermoplastic (UL94V-0)

△△ Electrical cULus/VDE/TUV

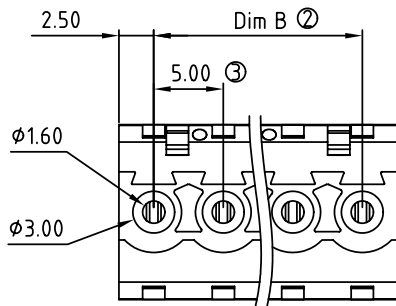
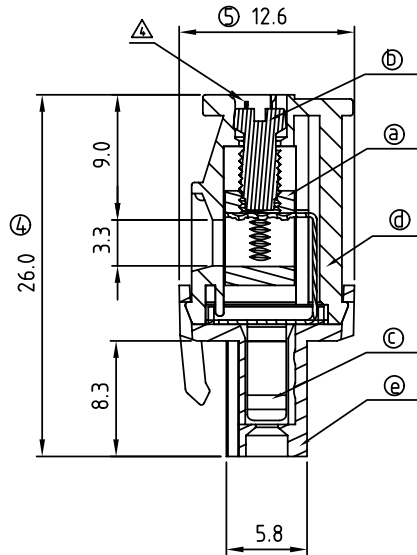
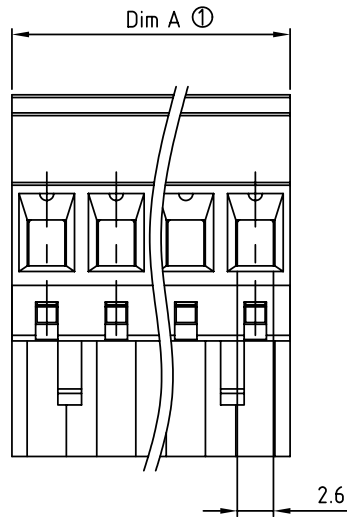
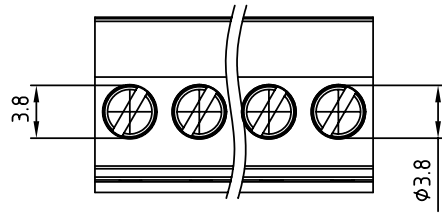
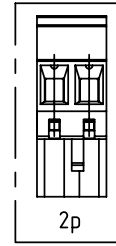
- Voltage rating: 300VAC/300VAC/300VAC
- Current rating: 15A/17A/15A
- Wire range: 2.5mm<sup>2</sup>/0.34-2.5mm<sup>2</sup>
- Solid wire(AWG): 12-24
- Stranded wire(AWG): 12-24
- Torque: 3.5Lb-In./0.5Nm/0.4Nm
- Screw: M3
- Wire strip length: 6-7mm
- Withstanding Voltage: 1.6KV/2.5KV/2.5KV
- Operating temperature: -40°C to +115°C
- Safety approval:   

TS xx 71 x A xxxx G

02 2 CONTACTS	Color	0000: "@ " Logo	RoHS
03 3 CONTACTS	0 Black (RAL9005)	000A: "ANYTEK" Mark	Pb<40,000ppm
...	2 Red (RAL3001/D)	0091: "ANYTEK" Mark	
24 24 CONTACTS	3 Orange(RAL2011/P)	Any special item by customer request.	
	4 Yellow(RAL1018/A)	please contact sales department.	
	5 Green(RAL6018/T)		
	6 Blue (RAL5015/A)		
	8 Grey(RAL7035/D)		

N = Number of poles  
 Dim A=Nx5.0  
 Dim B=(N-1)x5.0

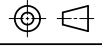
	Dim A	Dim B
2-6p	±0.15	±0.15
7-12p	±0.25	±0.25
13-18p	±0.30	±0.30
19-24p	±0.40	±0.40



**ANYTEK**

**CUSTOMER COPY**

ALL RIGHTS RESERVED. REPRODUCTION OR ISSUE TO THIRD PARTIES IN ANY FORM WHATSOEVER IS NOT PERMITTED WITHOUT WRITTEN AUTHORITY FROM THE PROPRIETOR. PROPERTY OF ANYTEK TECHNOLOGY CO., LTD

TITLE		TS-5.0mm Series(W/latching hooks on the wire entry side)			
PART NO.		TSxx71xAxxxxG		DWG NO. 8TS0001	
APPROVED	CHECKED	DESIGNED	DRAWN	CUST NO.	
			Cheng Bo 2010.05.28	Tolerance	
					X. ±0.50
					X.X ±0.30
					X.XX ±0.10
				SHEET: 01/01	X° ±1°
				UNIT: mm	
				SCALE: NONE	
				REV.: G	

## X-ON Electronics

Largest Supplier of Electrical and Electronic Components

*Click to view similar products for [Pluggable Terminal Blocks](#) category:*

*Click to view products by [Amphenol](#) manufacturer:*

Other Similar products are found below :

[57.510.0053](#) [MC 1.5/ 6-ST-3.5 GY AU](#) [734-104](#) [734-302](#) [8-141-P](#) [8426620000](#) [860505](#) [860810](#) [GBPACX-12](#) [93.731.4953.0](#) [PV05-5,08-K](#)  
[PVP04-3,50](#) [PVS02-5,00](#) [1-1986160-3](#) [1377680000](#) [1531000000](#) [1546228-5](#) [ELFH16150](#) [ELFP03110](#) [ELFP10210](#) [ELFT06250](#)  
[ELVP03100](#) [1700410](#) [1700425](#) [1702246](#) [1717806](#) [1719600](#) [1734692](#) [1734795](#) [1740291](#) [1752441](#) [1752865](#) [1754144](#) [1760051](#) [1760336](#)  
[1777701](#) [1783410](#) [1800227](#) [1801080](#) [1836888](#) [1848818](#) [1849079](#) [1860870](#) [1876327](#) [1896417](#) [1903096](#) [19346](#) [1946309](#) [1970579](#) [1973592](#)