


SIGN	DATE	DESCRIPTION	APPROVER
△	6/24'06	Torque standard is changed from 3.5Lb-In to 1.7Lb-In	Marvin
△	11/08'08	Body 加膠設計變更	Jacke
△	07/01-15	Update the drawing	Evan

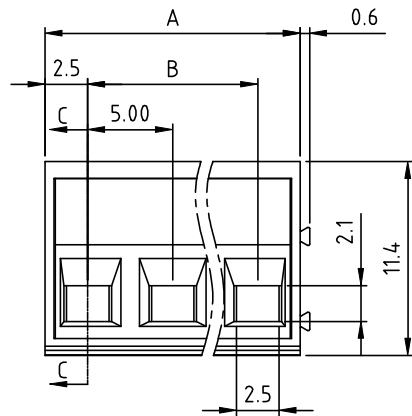
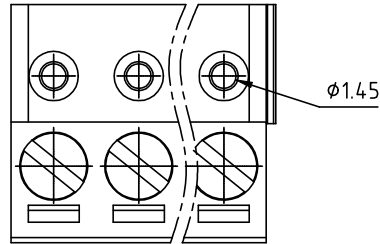
THIS IS CAD DRAWING, DO NOT REVISE MANUALLY!!!

Material

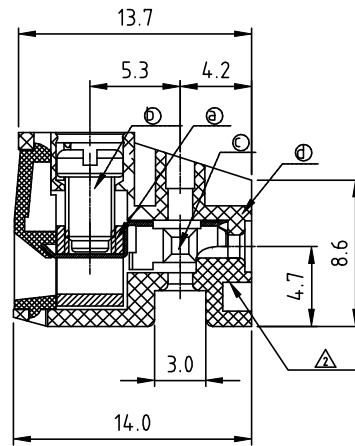
- Item ㉑ Clamp: Brass(CuZn) Ni plated
- Item ㉒ Terminal screw: Steel Zinc plating "-" slot type
- Item ㉓ Female contact: PhBz, Tin or Au plated.
- Item ㉔ Terminal(housing): Thermoplastic (UL94V-0)

Electrical

- Voltage rating: 300VAC
- Current rating: 10A
- Wire range:
 - Solid wire(AWG): 16-22
 - Stranded wire(AWG): 16-22
- △ ● Torque(Lb-In): 1.7
- Screw: M3
- Wire strip length: 5-6mm
- Withstanding Voltage: 1.6KV
- Operating temperature: -40°C to +115°C
- Safety approval: 



N=Number of contacts



Section C-C

△ TT xx 01 x 0 xxxx G		
No. OF POLES	COLOR	G RoHS compliant (lead<4%) In copper Alloy
02: 2 POLES	0 Black (RAL9005)	0000 Standard @ Logo
:	2 Red (RAL3001/D)	000A Standard ANY Logo
:	3 Orange(RAL2011/P)	0091 Standard ANY Logo
24: 24 POLES	4 Yellow(RAL1018/A)	Any special item by customer request, please contact sales department.
	5 Green(RAL6018/T)	
	6 Blue (RAL5015/A)	
	8 Grey(RAL7035/D)	
	9 White(RAL1102)	
	C Green(RAL6018/U)	

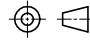
N = Number of poles
 Dim A=Nx5.0
 Dim B=(N-1)x5.0

	Dim A	Dim B
2p	±0.15	±0.10
3P-6p	±0.15	±0.15
7P-12p	±0.25	±0.25
13P-18p	±0.30	±0.30
19P-24p	±0.40	±0.40

ANYTEK

CUSTOMER COPY

ALL RIGHTS RESERVED. REPRODUCTION OR ISSUE TO THIRD PARTIES IN ANY FORM WHATSOEVER IS NOT PERMITTED WITHOUT WRITTEN AUTHORITY FROM THE PROPRIETOR. PROPERTY OF ANYTEK TECHNOLOGY CO., LTD

TITLE		TT - 5.0mm Series Stackable type			
PART NO.		TTxx01x0xxxxG		DWG NO.	8TT0001
APPROVED	CHECKED	DESIGNED	DRAWN	CUST NO.	
		Evan 07/01-15	Evan 07/01-15		
					Tolerance
					UNIT: mm
				SCALE: NONE	X.X ±0.30
				SHEET: 01/01	X.XX ±0.10
				REV.: F	X° ±1°

X-ON Electronics

Largest Supplier of Electrical and Electronic Components

Click to view similar products for [Fixed Terminal Blocks](#) category:

Click to view products by [Amphenol](#) manufacturer:

Other Similar products are found below :

[MBE-1512](#) [MBE-1520](#) [MBE-154](#) [MBE-156](#) [MBES-156](#) [MH-2512](#) [MHE-132](#) [MHE-163](#) [MI-254 \(35\)](#) [MI-272](#) [MPT-275](#) [15602-04-08-21](#)
[ELM10110G](#) [BA311TU](#) [BA411SU](#) [MV-254-D](#) [MV-255](#) [MV-493](#) [MVE-252](#) [MVE-253](#) [MVEB-153](#) [1705142](#) [1712417](#) [1713088](#) [1745195](#)
[1760594](#) [1-796689-8](#) [1800114](#) [20020314-C121B01LF](#) [KP03215000J0G](#) [KP04215000J0G](#) [S451](#) [29.007](#) [29.116](#) [30.204](#) [30.503](#) [30.756](#)
[30.853](#) [996750](#) [1710052](#) [1777707](#) [1-796692-3](#) [20020316-G071B01LF](#) [20020327-C061B01LF](#) [29590](#) [30.652](#) [30.710](#) [30.754](#) [30.757](#) [32.058](#)