

| SIGN | DATE | DESCRIPTION | APPROVER |
|------|---------|---|----------|
| △ | 6/24'06 | Voltage rating is changed from 250V to 300V | Marvin |
| △ | 6/24'06 | Current rating is changed from 6A to 10A | Marvin |
| △ | 6/24'06 | Withstanding Voltage is changed from 1.5KV to 1.6KV | Marvin |

THIS IS CAD DRAWING, DO NOT REVISE MANUALLY!!!

Material

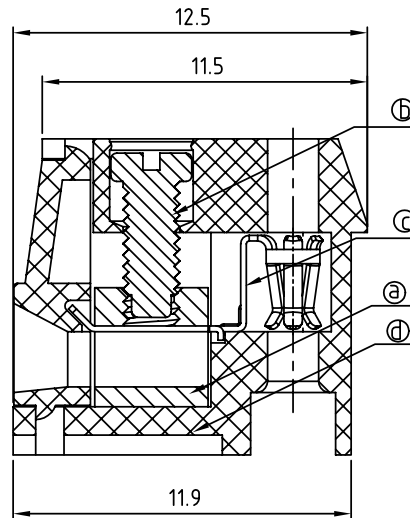
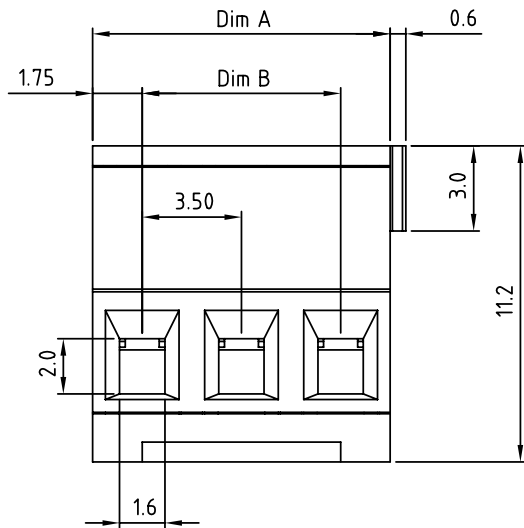
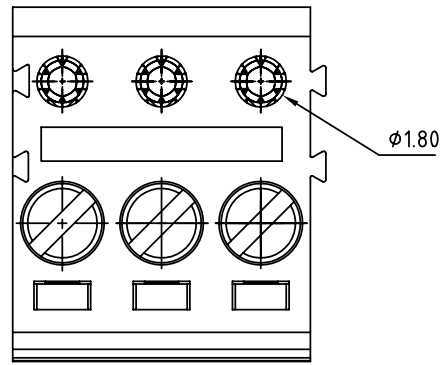
- Item a Clamp: Brass(CuZn) Ni plated
- Item b Terminal screw: Steel Zinc plating "--" slot type
- Item c Female contact: PhBz, Tin plated.
- Item d Terminal (housing): Thermoplastic (UL94V-0)

Electrical

- △ ● Voltage rating: 300VAC
- △ ● Current rating: 10A
- Wire range:
 - Solid wire(AWG): 16-28
 - Stranded wire(AWG): 16-28
- Torque(Lb-In): 1.7
- Screw: M2
- Wire strip length: 5-6mm
- △ ● Withstanding Voltage: 1.6KV
- Operating temperature: -40°C to +115°C
- Safety approval: us

TT xx 21x 0 xxxx G

| | | | | |
|-----|-------------|---|-------------------|------------------------|
| 02 | 2 CONTACTS | 0 | Black (RAL9005) | RoHS |
| 03 | 3 CONTACTS | 2 | Red (RAL3001/D) | Pb<40,000ppm |
| ... | ... | 3 | Orange(RAL2011/P) | |
| 24 | 24 CONTACTS | 4 | Yellow(RAL1018/A) | 0000 Standard @ Logo |
| | | 5 | Green(RAL6018/T) | 000A Standard ANY Logo |
| | | 6 | Blue (RAL5015/A) | Any special item by |
| | | 8 | Grey(RAL7035/D) | customer request, |
| | | | | please contact sales |
| | | | | department. |



N=Number of contacts
 Dim A=NX3.5
 Dim B=(N-1)X3.5

| | Dim A | Dim B |
|---------|-------|-------|
| 2P-6p | ±0.15 | ±0.15 |
| 7P-12p | ±0.20 | ±0.20 |
| 13P-18p | ±0.25 | ±0.25 |
| 19P-24p | ±0.30 | ±0.30 |

ANYTEK

CUSTOMER COPY

ALL RIGHTS RESERVED. REPRODUCTION OR ISSUE TO THIRD PARTIES IN ANY FORM WHATSOEVER IS NOT PERMITTED WITHOUT WRITTEN AUTHORITY FROM THE PROPRIETOR. PROPERTY OF ANYTEK TECHNOLOGY CO., LTD

| | | | | | |
|----------|----------------------|--------------------------------------|----------------------|--------------|------------|
| TITLE | | TT-3.5mm Series (6-fingers contacts) | | | |
| PART NO. | | TTxx21x0xxxxG | | DWG NO. | 8TT0201 |
| APPROVED | CHECKED | DESIGNED | DRAWN | CUST NO. | |
| | Marvin 2006.06.24 | Marvin 2006.06.24 | Marvin 2006.06.24 | | |
| | | | | | Tolerance |
| | | | | | X. ±0.50 |
| | | | | UNIT: mm | X.X ±0.30 |
| | | | | SCALE: NONE | X.XX ±0.10 |
| | | | | SHEET: 01/01 | X° ±1° |
| | | | | REV.: D | |

X-ON Electronics

Largest Supplier of Electrical and Electronic Components

Click to view similar products for [Pluggable Terminal Blocks](#) category:

Click to view products by [Amphenol](#) manufacturer:

Other Similar products are found below :

[57.404.7553](#) [57.504.0053.7](#) [57.510.0053](#) [57.910.6153](#) [01.112.1453](#) [CTB932VE/6](#) [MC 1.5/ 6-ST-3.5 GY AU](#) [ET02015000J0G](#) [734-104](#) [734-302](#) [734-304](#) [8-141-P](#) [FKCT 2.5/ 3-ST KMGY](#) [860505](#) [860508](#) [860516](#) [860810](#) [861908](#) [GBPACX-12](#) [93.731.4953.0](#) [PV05-5,08-K](#) [PVP02-5,00](#) [PVP04-3,50](#) [PVS02-5,00](#) [1-1986160-3](#) [H-10](#) [1546228-5](#) [ELFP03110](#) [ELVP03100](#) [ELXH03100](#) [ELXP041G0](#) [ELXT046G0](#) [1700101](#) [1700410](#) [1700425](#) [1703176](#) [1703243](#) [1705229](#) [1710175](#) [1714537](#) [1717806](#) [1719600](#) [1728941](#) [1729386](#) [1734692](#) [1734795](#) [1736036](#) [1740194](#) [1740291](#) [1740628](#)